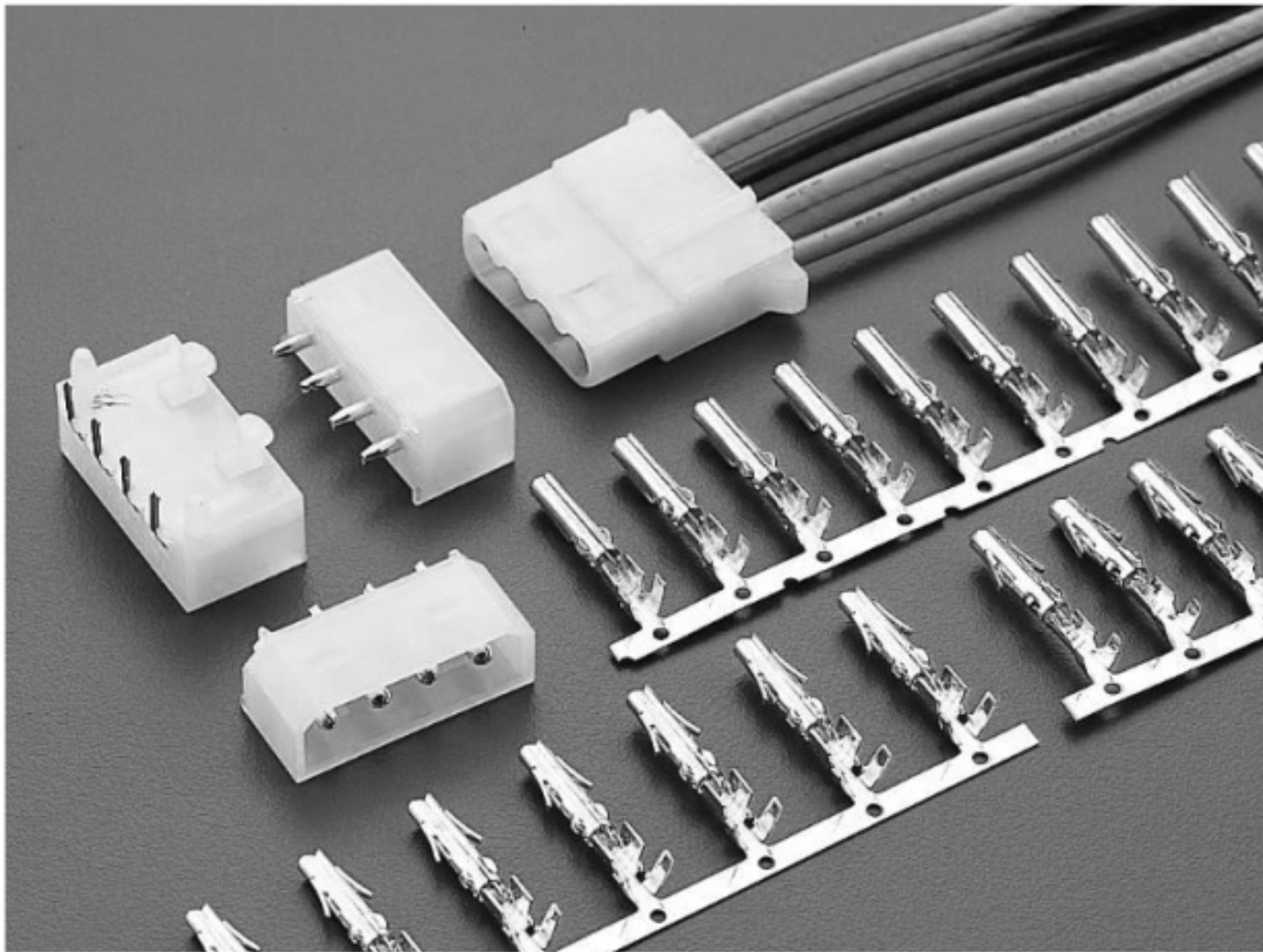


8620 SERIES

5.08mm PITCH WIRE TO BOARD CONNECTOR



Specifications

Current rating: 5A AC,DC

Voltage rating: 250V AC,DC

Temperature range: -25°C to +85°C
(including temperature rise)

Contact resistance: Initial value/ 10m Ω Max.

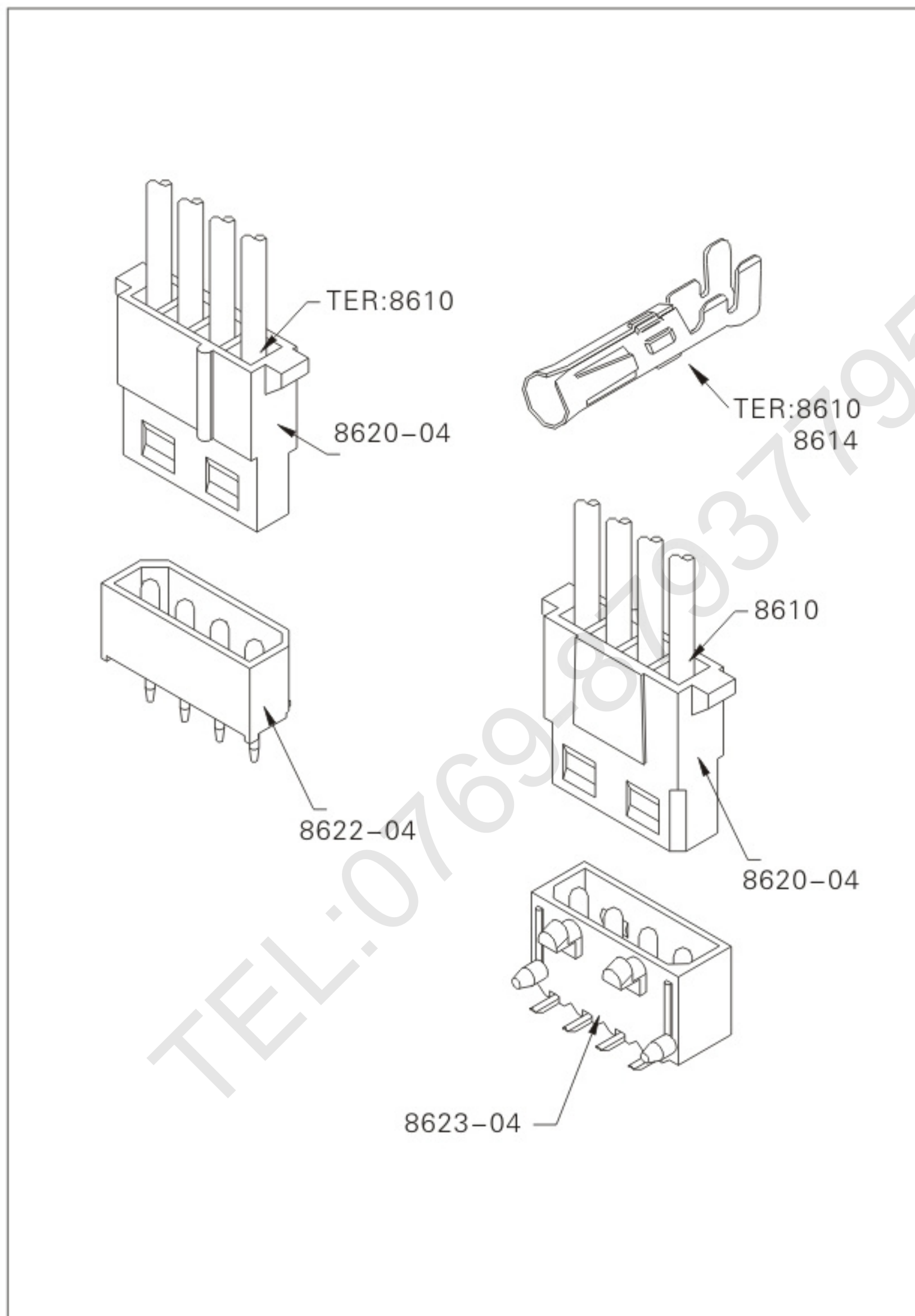
After environmental testing/20m Ω Max.

Insulation resistance: 500 M Ω Min.

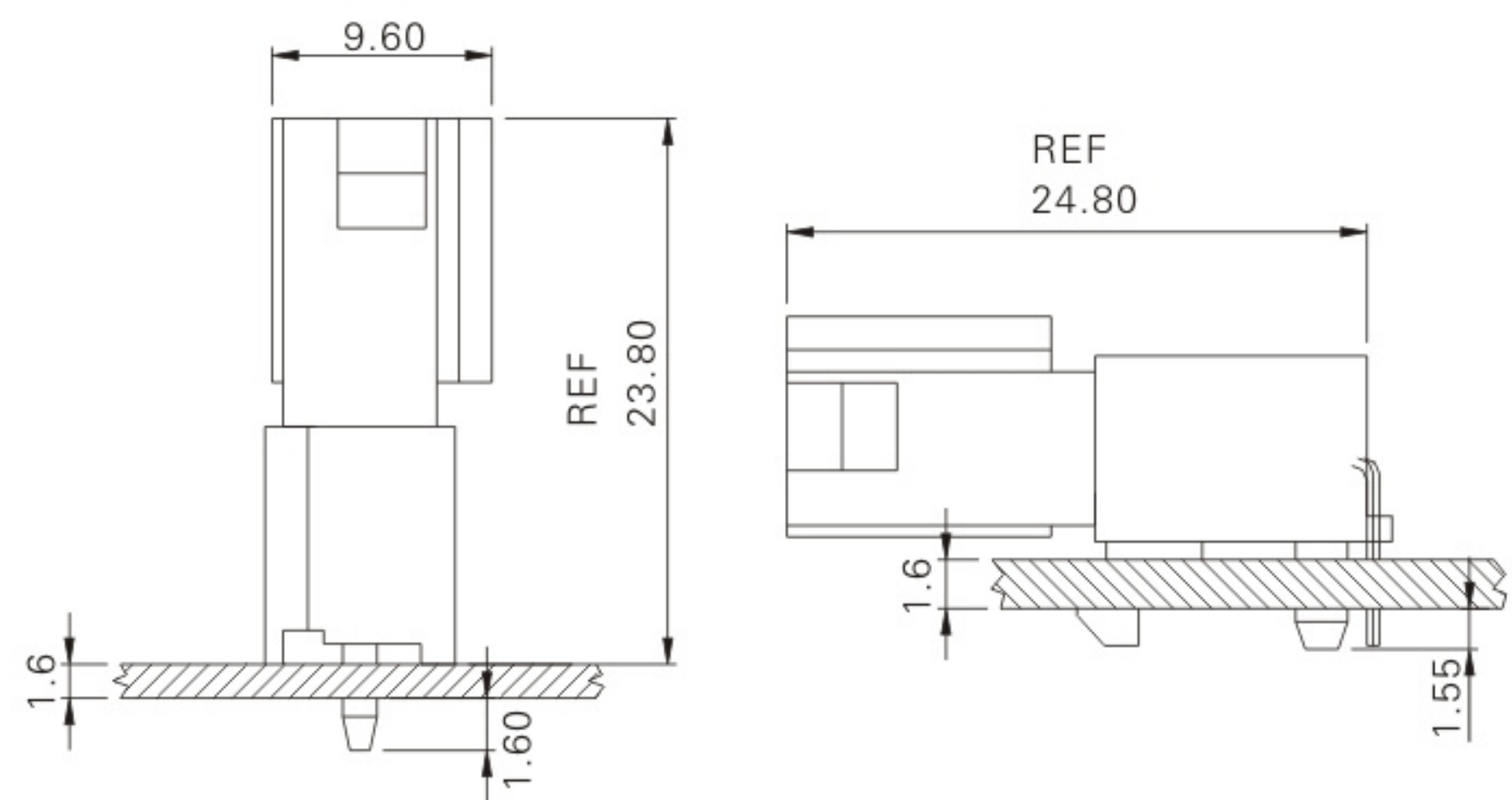
Withstanding voltage: 1000 V AC/minute

Applicable wire: 8610: AWG#18-#22

8614: AWG#16-#18



Assembly layout



WIRE TO BOARD TYPE

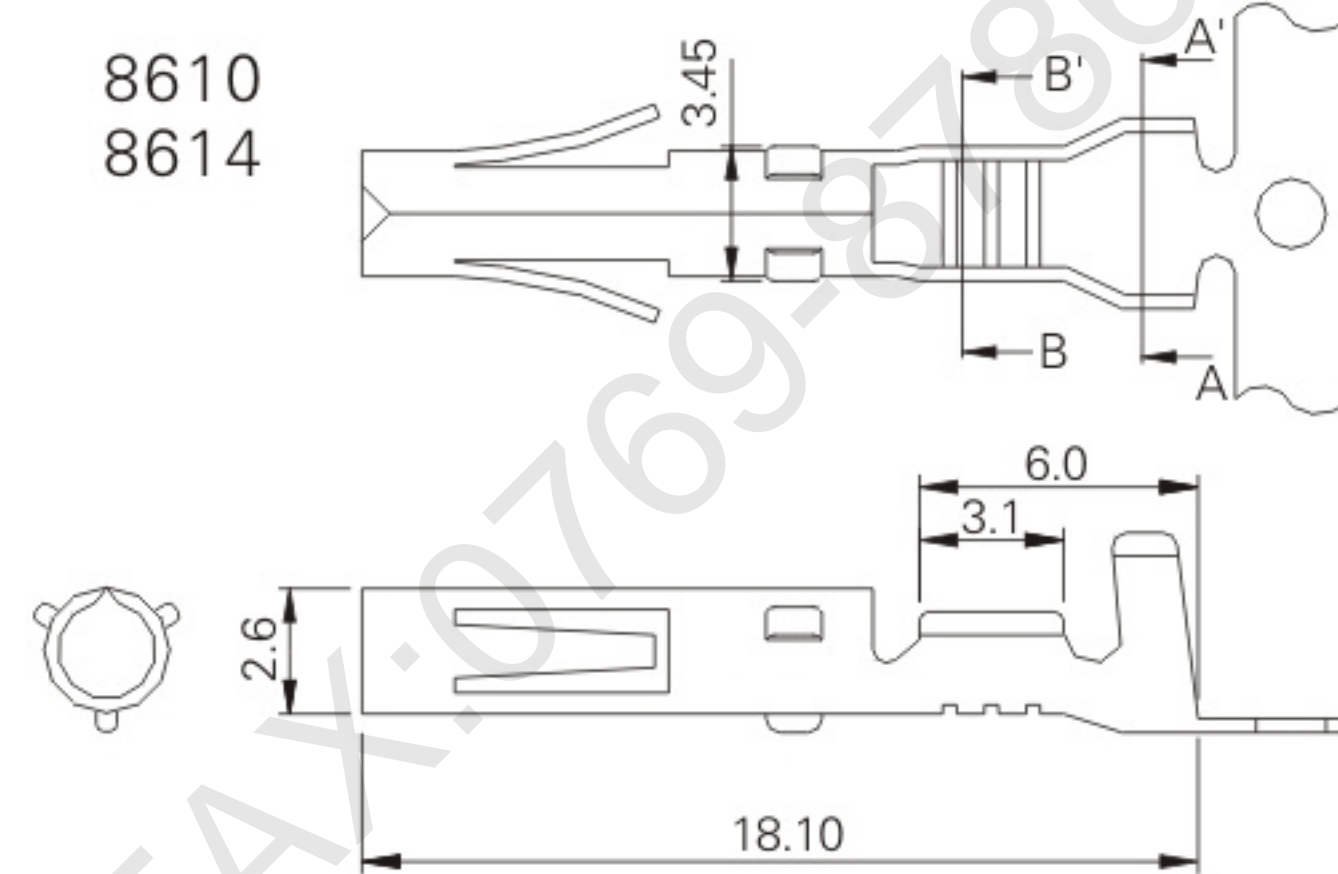
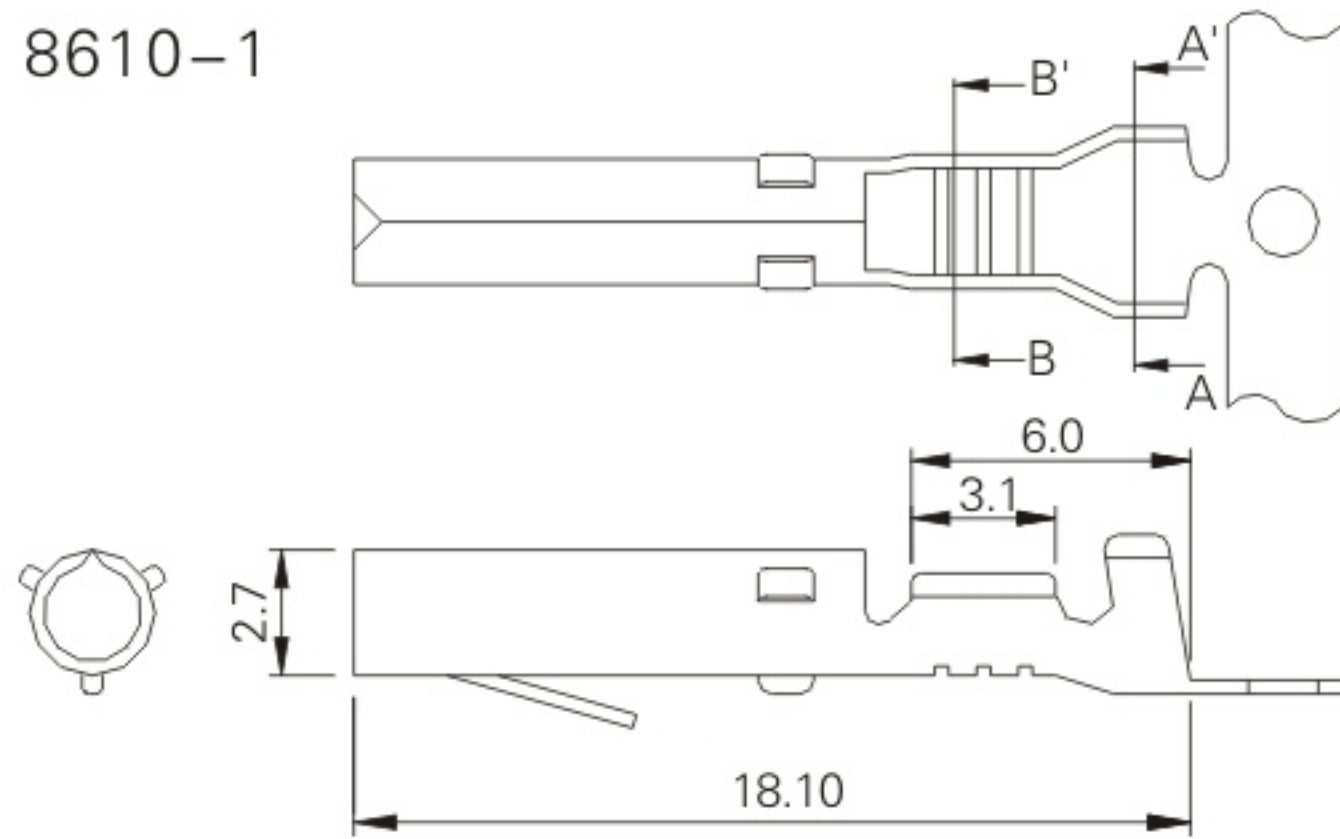
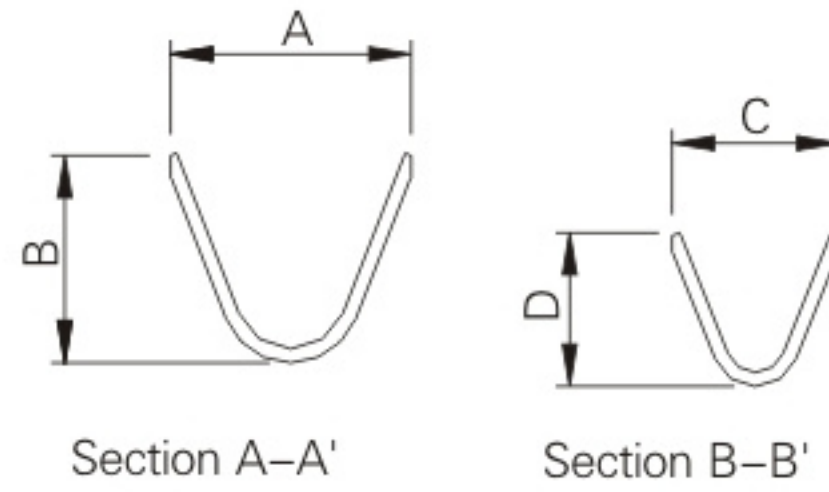
8610 8614 (5.08mm pitch crimp terminal)

Reference Informations:

- *Thickness:0.25mm
 - *Mates With: 8620-04 series Housing
 - *Accept With:8611 Terminal & 8621-04 series Housing
- 8610:t: 0.25T 0.30T

Ordering Information & Dimensions

Circuits	Part No.	DIM.(mm)			
		A	B	C	D
01	8610-1	4.10	3.60	2.70	2.40
02	8610	4.10	3.30	2.70	2.40
03	8614	4.80	4.30	3.10	3.40



Ordering Information & Specifications

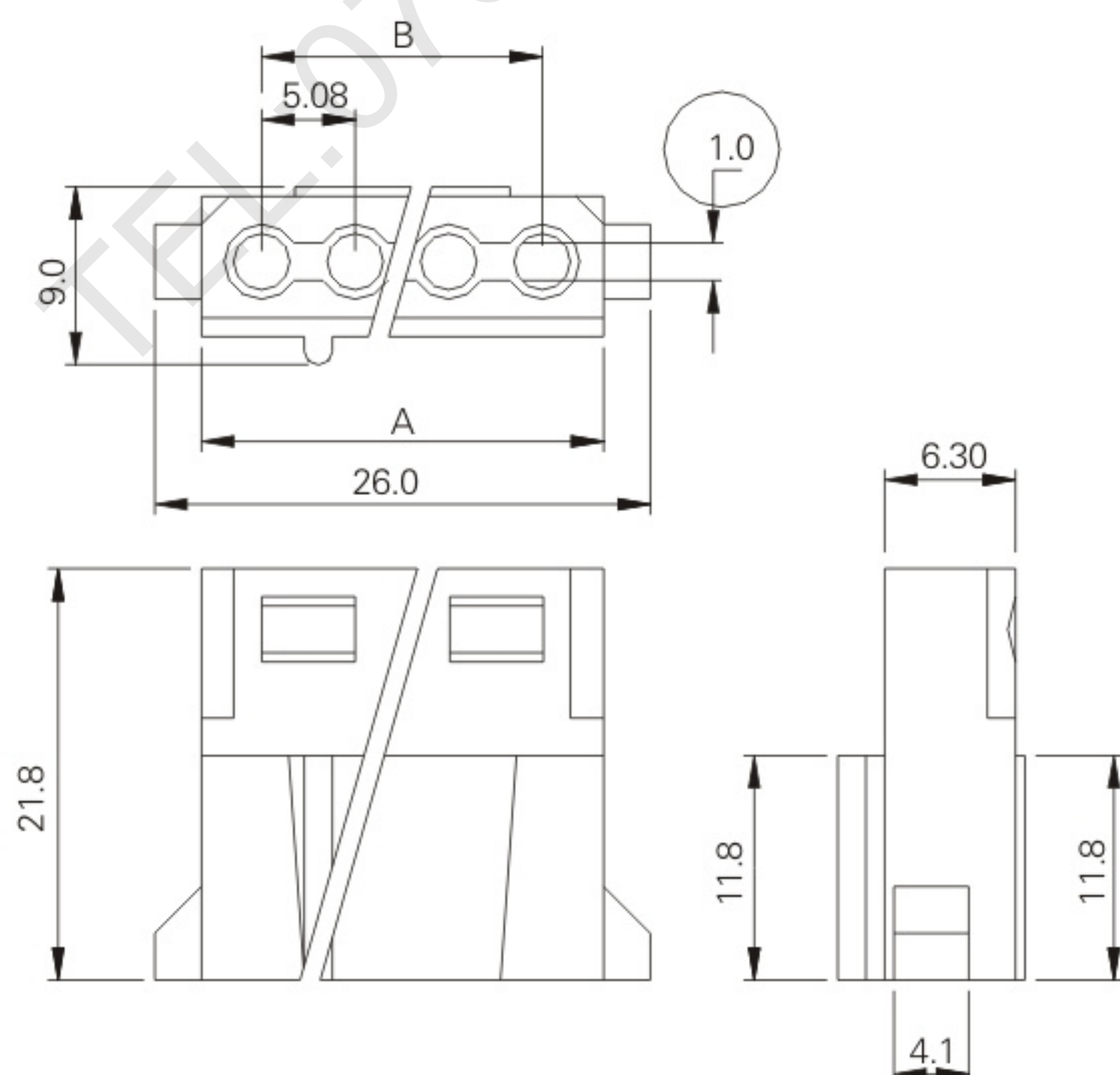
Unit: mm

Part No.	Wire Range	Insulation O.D.	Material	Finish	Qty/reel
8610T/8610P	AWG#18-#22	Φ2.8~Φ1.5	Brass/Phosphor bronze	Tin-plated	7,000
8614T/8614P	AWG#16-#18	Φ4.2~Φ2.8	Brass/Phosphor bronze	Tin-plated	4,000

8620-NP (5.08mm pitch crimp housing)

Reference Informations:

- *Mat'l: Nylon 94V-2
- *Mates With: 8610 Terminal
- *Accepts With: 8622-04 8623-04 Wafer
- *Accepts With: 8621-04 series Housing



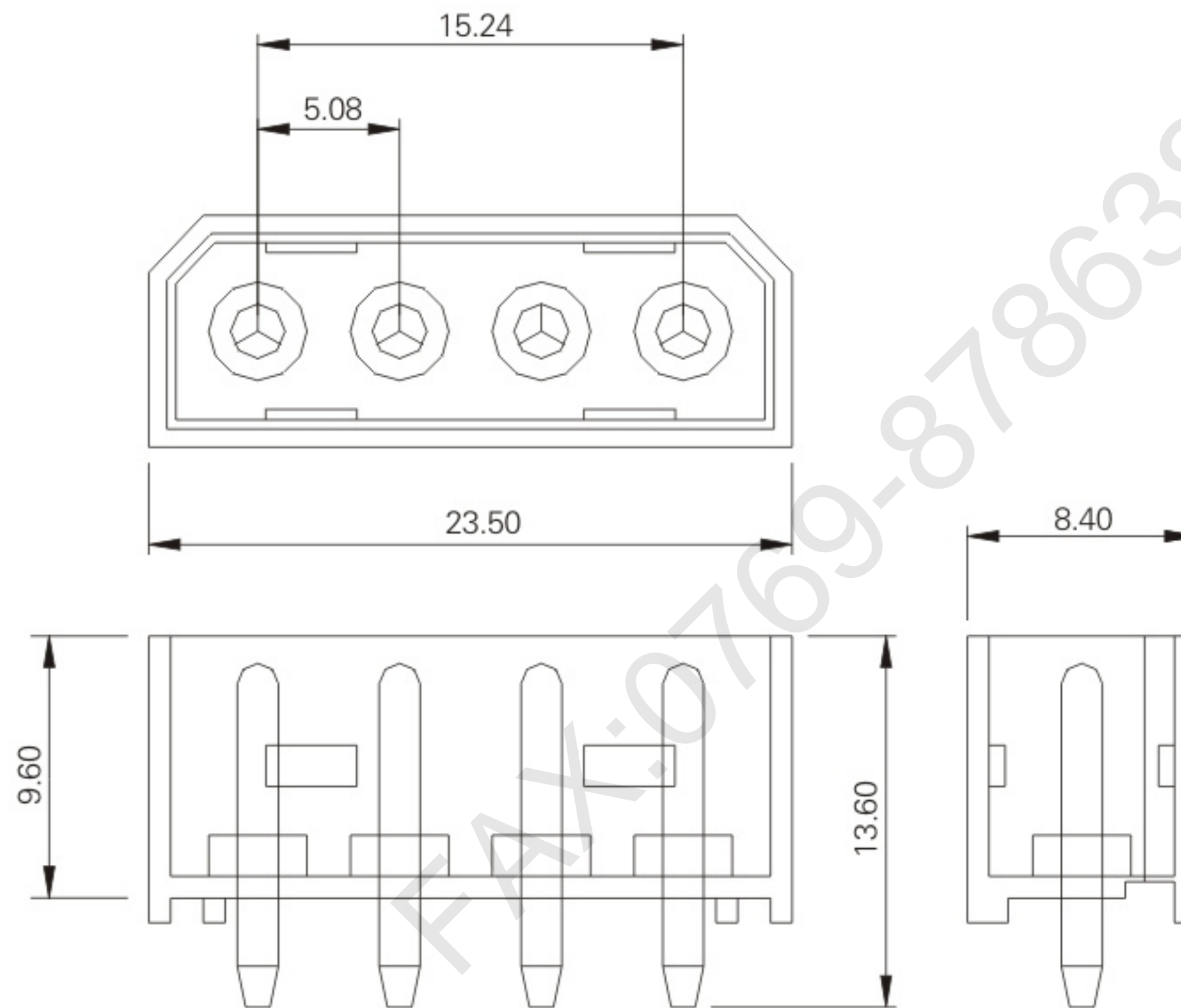
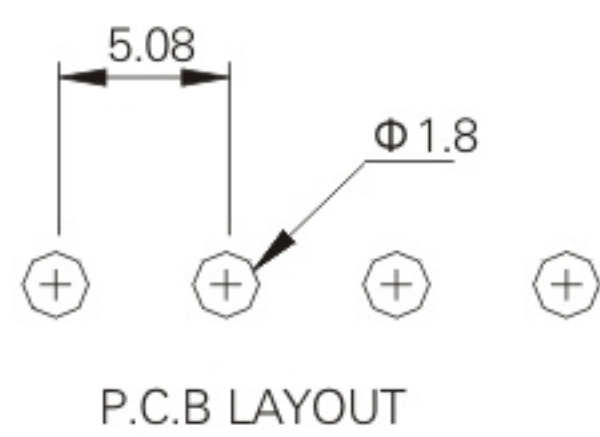
Ordering Information & Dimensions

Circuits	Part No.	DIM.(mm)	
		A	B
02	8620-02P	13.7	5.08
03	8620-03P	16.3	10.16
04	8620-04P	21.1	15.24

8622-04 (5.08mm pitch 180° wafer)

Reference Informations:

- *Body: Nylon 66 UL94V-2
- *Pin: Brass Tin Plated
- *Mates With: 8620-04 Housing



8623-04 (5.08mm pitch 90° wafer)

Reference Informations:

- *Body: Nylon 66 UL94V-2
- *Pin: Brass Tin Plated
- *Mates With: 8620-04 Housing

Side entry type

