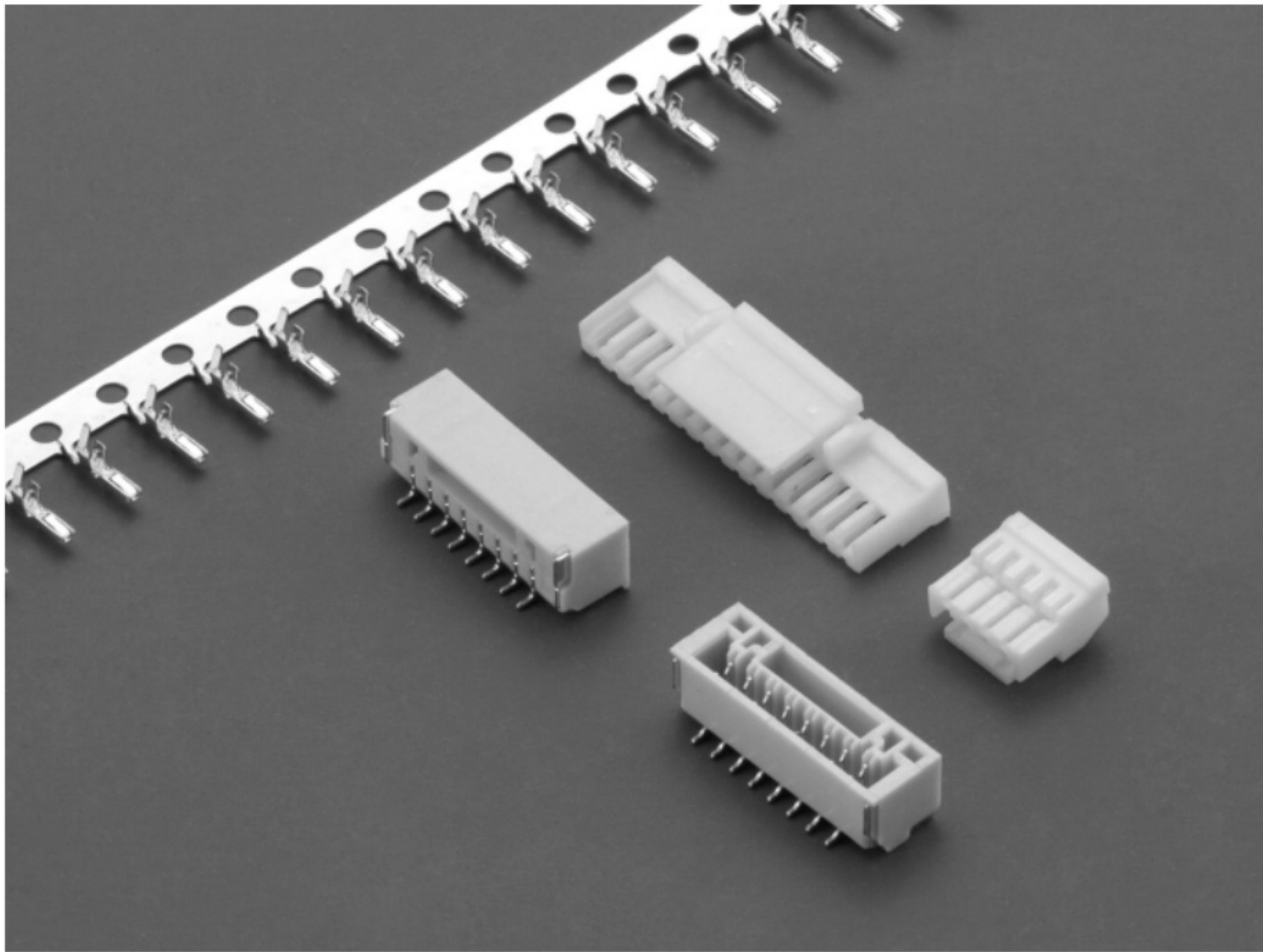


11253H SERIES

1.25mm PITCH WIRE TO BOARD CONNECTOR



Specifications

Current rating: 1A AC, DC

Voltage rating: 50V AC, DC

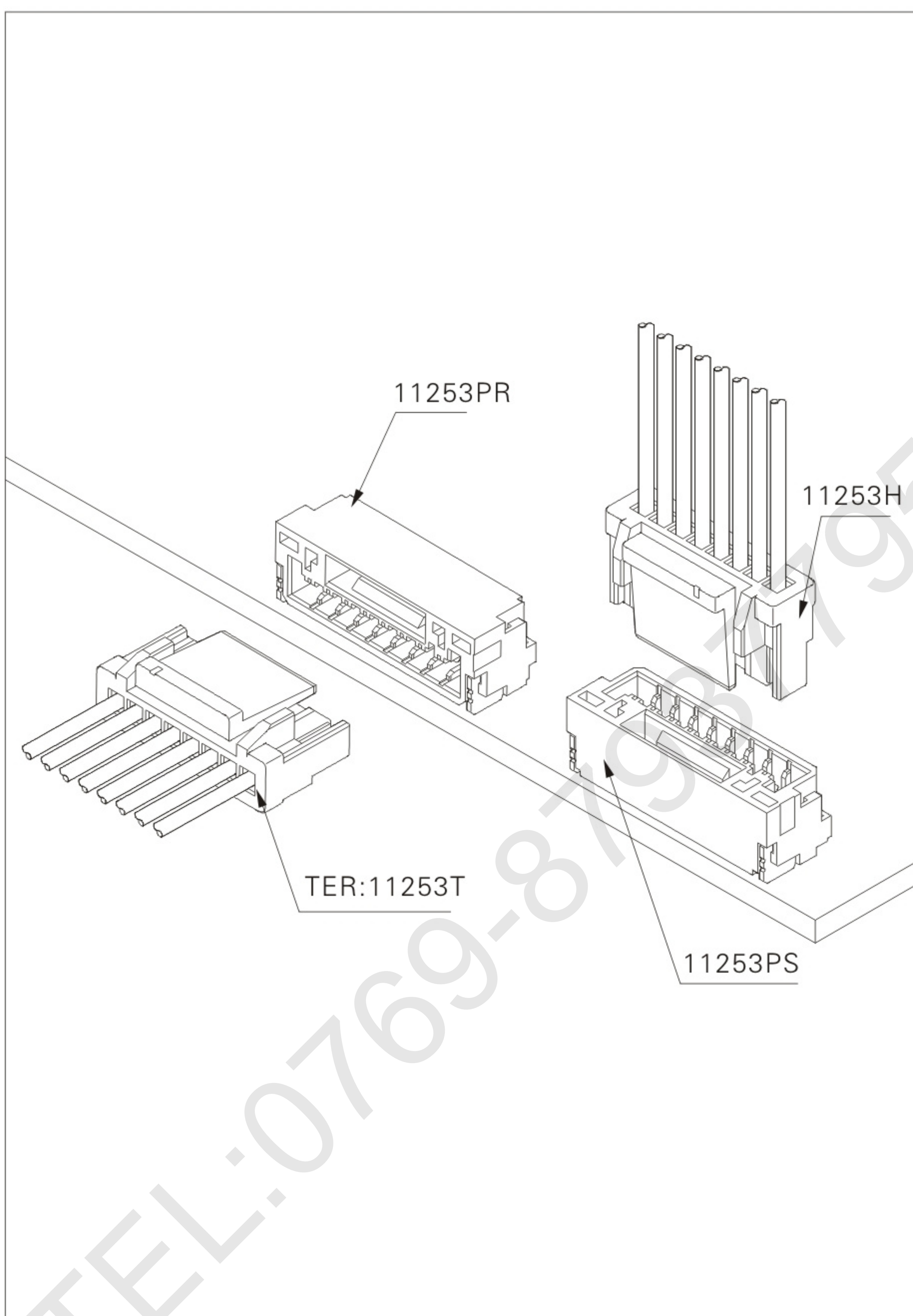
Temperature range: -25°C ~ +85°C

Contact resistance: 30mΩ Min.

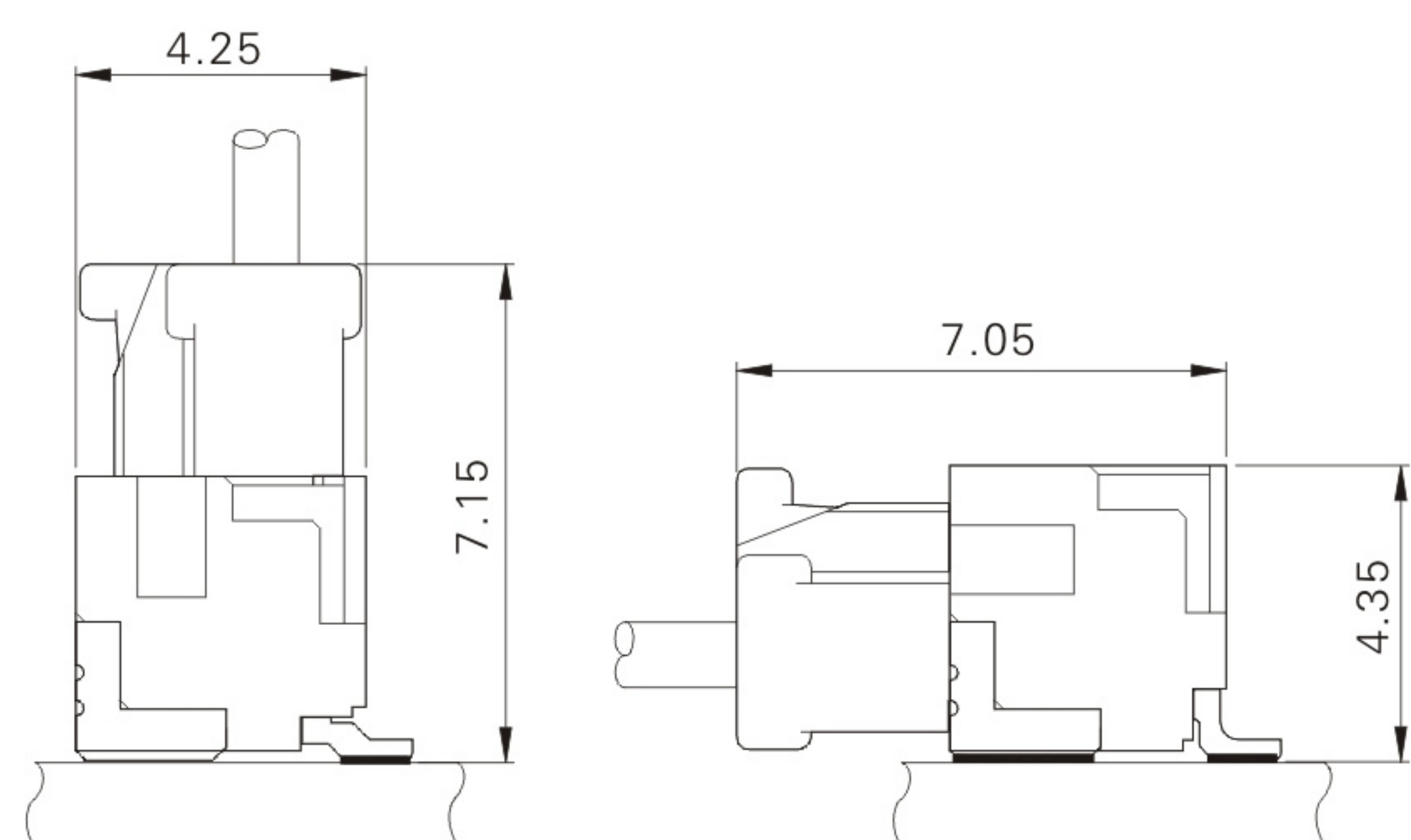
Insulation resistance: 100MΩ Min.

Withstanding voltage: 500V AC/minute

Applicable Wire range: AWG#26-32



Assembly layout

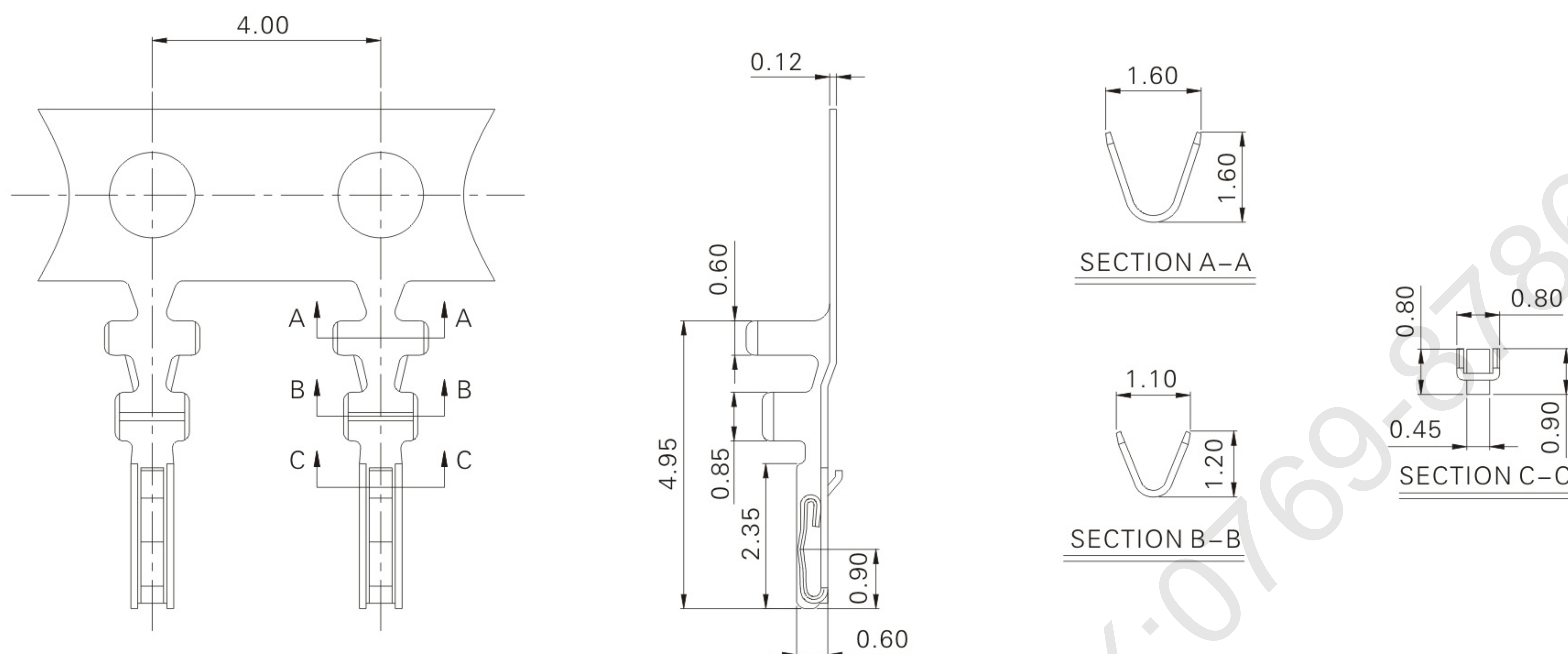


11253-T (1.25mm pitch crimp terminal)

Reference Informations:

*Mat' l: Phosphor Bronze/Tin-plated or Gold Flash

*Mates With: 11253H series Housing



Ordering Information & Specifications

Unit: mm

Part No.	Wire Range	Insulation O.D.	Material	Finish	Qty/reel
11253P-2	AWG#26-32	0.9mm(max)	Phosphor Bronze	Tin-plated	15,000pcs
11253P-00	AWG#26-32	0.9mm(max)	Phosphor Bronze	Gold -flash	15,000pcs

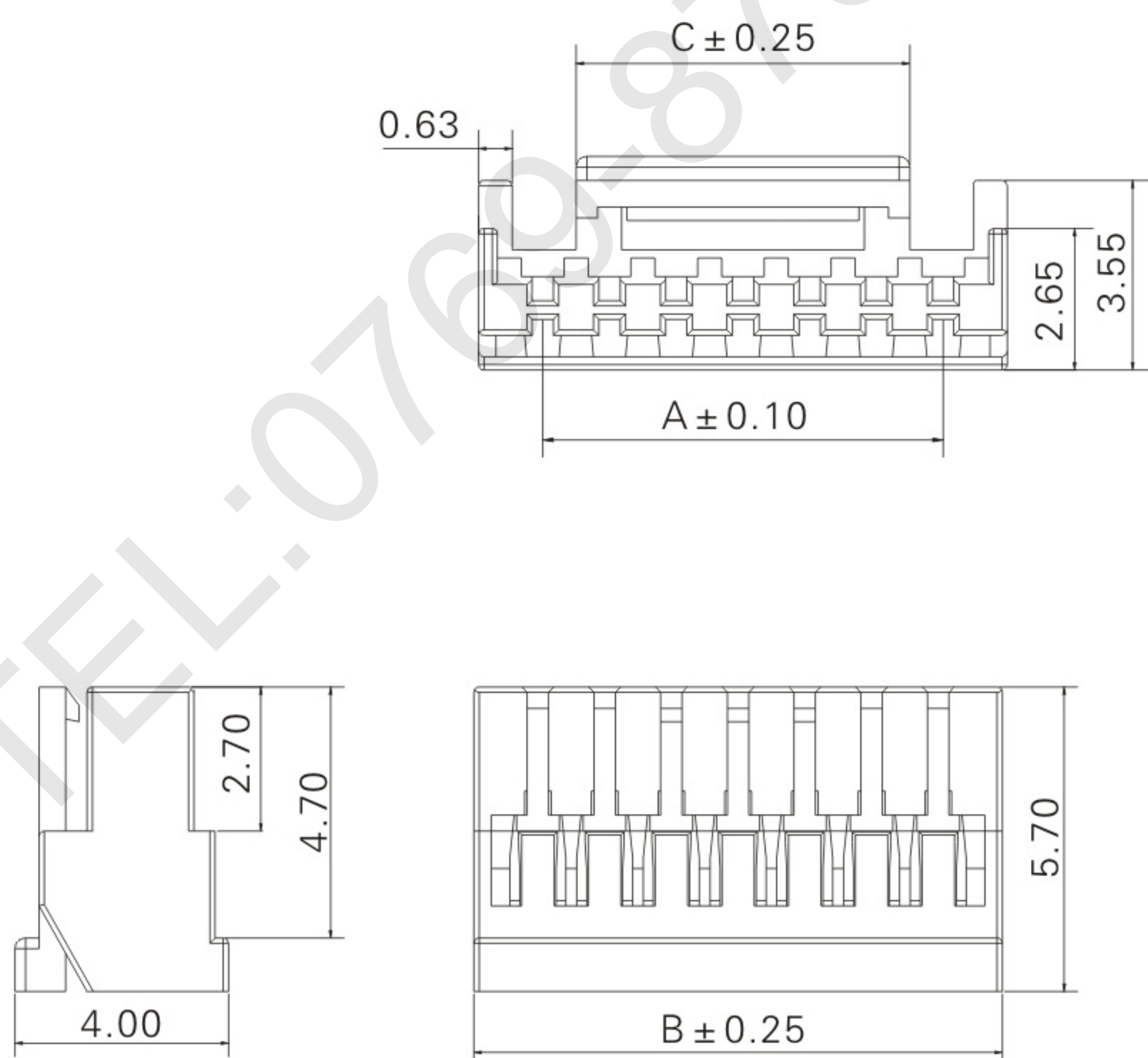
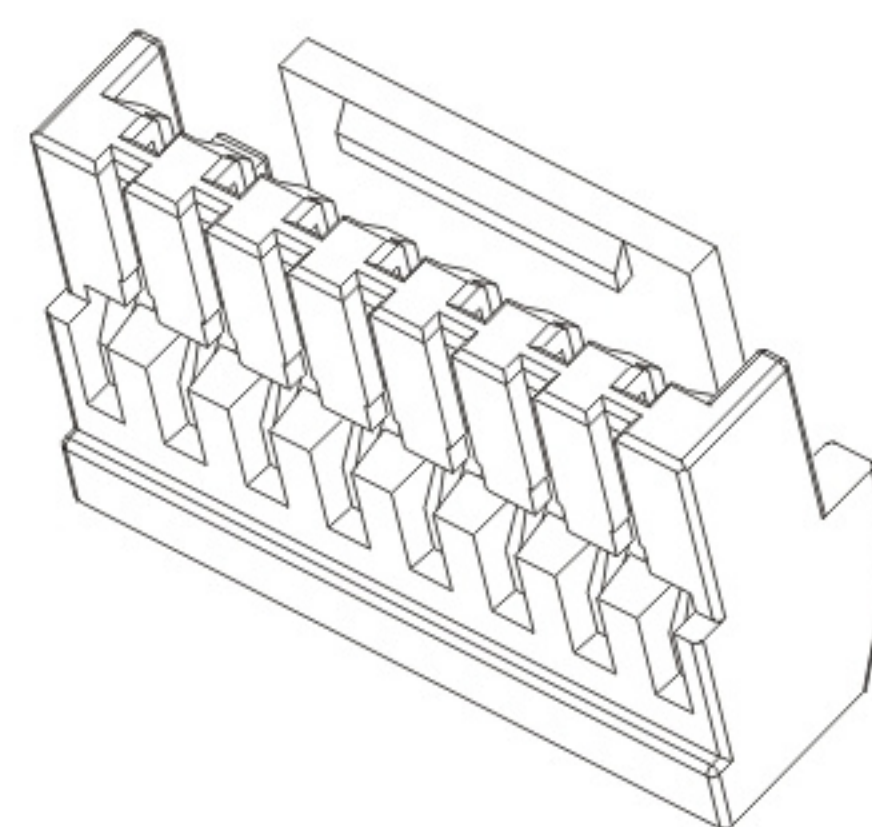
11253H-NP (1.25mm pitch crimp housing)

Reference Informations:

*Mat' l: PA66 UL94V-0/Black or Natrual

*Suitable 11253T series Terminal

*Mates with: 11253PS/PR series Wafer



Ordering Information & Dimensions

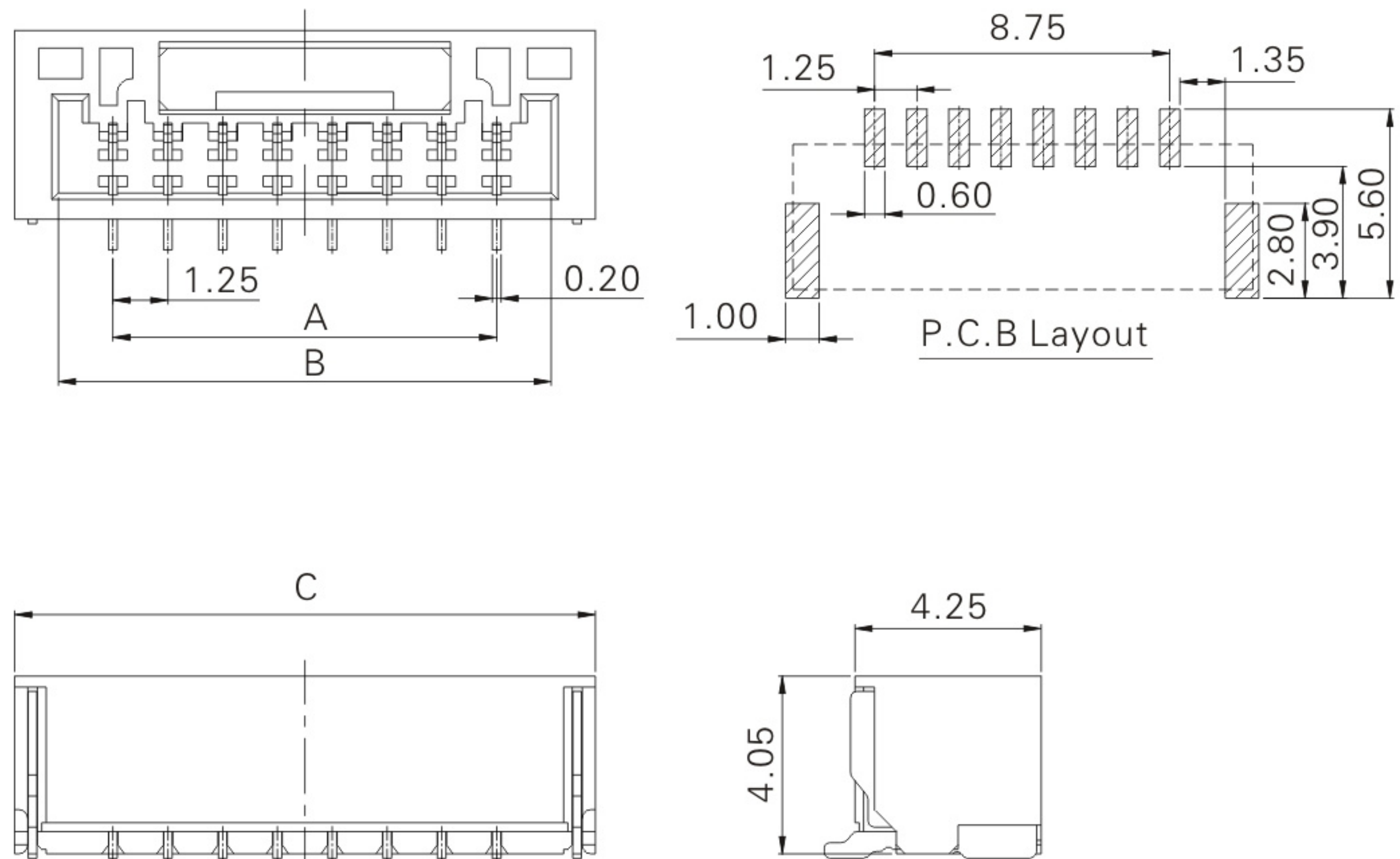
Circuits	Part No.	DIM.(mm)		
		A	B	C
02	11253H-02P	1.25	3.65	2.00
03	11253H-03P	2.50	4.90	3.00
04	11253H-04P	3.75	6.15	4.25
05	11253H-05P	5.00	7.40	4.25
06	11253H-06P	6.25	8.65	6.25
07	11253H-07P	7.50	9.90	6.25
08	11253H-08P	8.75	11.15	6.25
09	11253H-09P	10.00	12.40	6.25
10	11253H-10P	11.25	13.65	8.25
11	11253H-11P	12.50	14.90	8.25
12	11253H-12P	13.75	16.15	8.25
13	11253H-13P	15.00	17.40	8.25
14	11253H-14P	16.25	18.65	8.25
15	11253H-15P	17.50	19.90	8.25

11253PS-NP-SMT (1.25mm pitch 180° wafer-SMT TYPE)

Reference Informations:

*Material: PIN:Phosphor Bronze/Tin-plated
Solder Tabs:Brass/Tin-plated
Wafer:PA9T,UL94V-0 / Natrual

*Suitable 11253 series Housing



Ordering Information & Dimensions

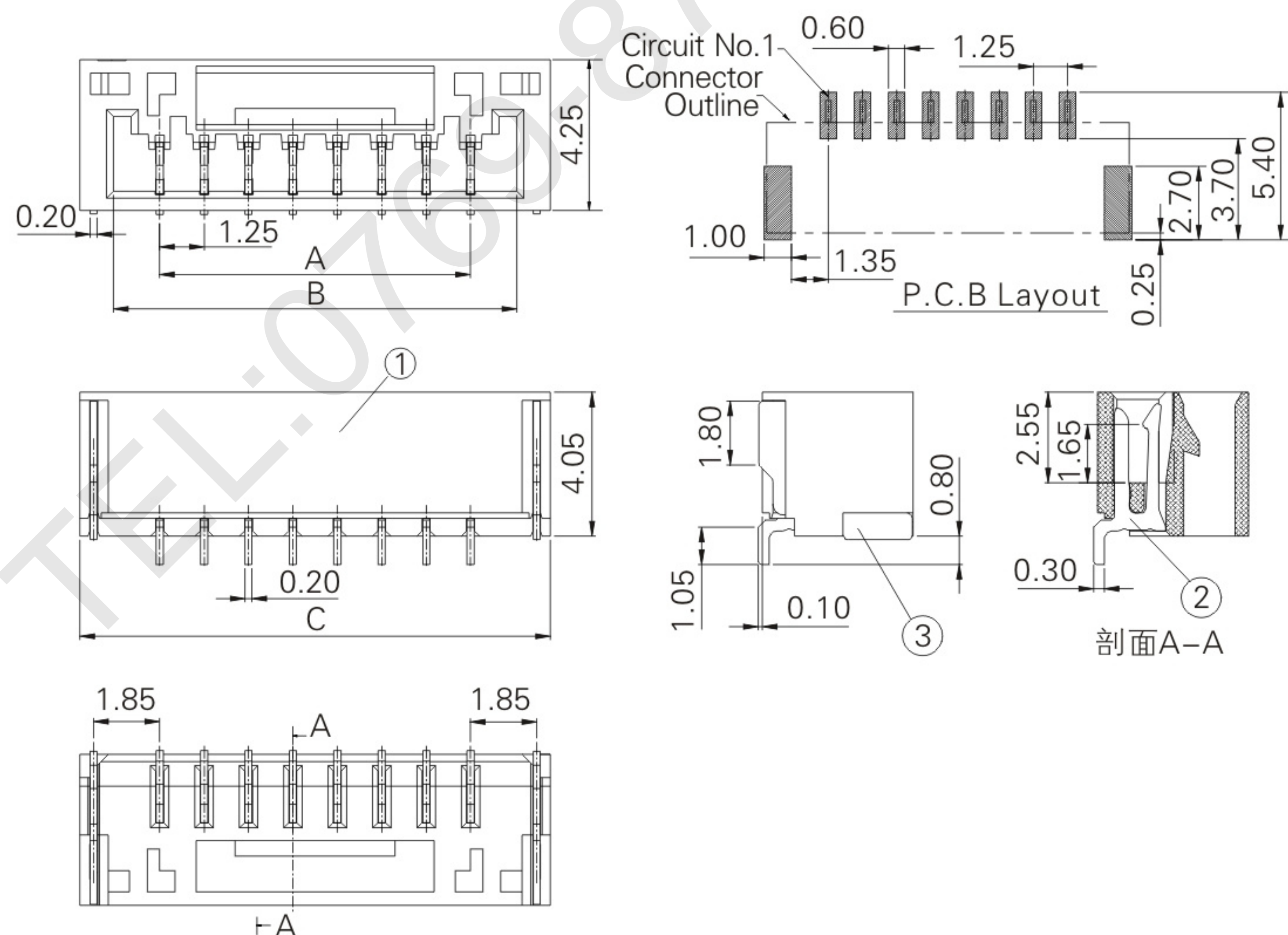
Circuits	Part No.	DIM.(mm)		
		A	B	C
02	11253PS-02P-SMT	1.25	3.85	5.75
03	11253PS-03P-SMT	2.50	5.10	7.00
04	11253PS-04P-SMT	3.75	6.35	8.25
05	11253PS-05P-SMT	5.00	7.60	9.50
06	11253PS-06P-SMT	6.25	8.85	10.75
07	11253PS-07P-SMT	7.50	10.10	12.00
08	11253PS-08P-SMT	8.75	11.35	13.25
09	11253PS-09P-SMT	10.00	12.60	14.50
10	11253PS-10P-SMT	11.25	13.85	15.75
11	11253PS-11P-SMT	12.50	15.10	17.00
12	11253PS-12P-SMT	13.75	16.35	18.25
13	11253PS-13P-SMT	15.00	17.40	19.50
14	11253PS-13P-SMT	16.25	18.85	20.75
15	11253PS-15P-SMT	17.50	20.10	22.00

11253PR-NP-SMT (1.25mm pitch 90° wafer-SMT TYPE)

Reference Informations:

*Material: PIN:Phosphor Bronze/Tin-plated
Solder Tabs:Phosphor Bronze/Tin-plated
Wafer:PA9T,UL94V-0 / Natrual

*Suitable 11253 series Housing



Ordering Information & Dimensions

Circuits	Part No.	DIM.(mm)		
		A	B	C
02	11253PR-02P-SMT	1.25	3.85	5.75
03	11253PR-03P-SMT	2.50	5.10	7.00
04	11253PR-04P-SMT	3.75	6.35	8.25
05	11253PR-05P-SMT	5.00	7.60	9.50
06	11253PR-06P-SMT	6.25	8.85	10.75
07	11253PR-07P-SMT	7.50	10.10	12.00
08	11253PR-08P-SMT	8.75	11.35	13.25
09	11253PR-09P-SMT	10.00	12.60	14.50
10	11253PR-10P-SMT	11.25	13.85	15.75
11	11253PR-11P-SMT	12.50	15.10	17.00
12	11253PR-12P-SMT	13.75	16.35	18.25
13	11253PR-13P-SMT	15.00	17.40	19.50
14	11253PR-13P-SMT	16.25	18.85	20.75
15	11253PR-15P-SMT	17.50	20.10	22.00