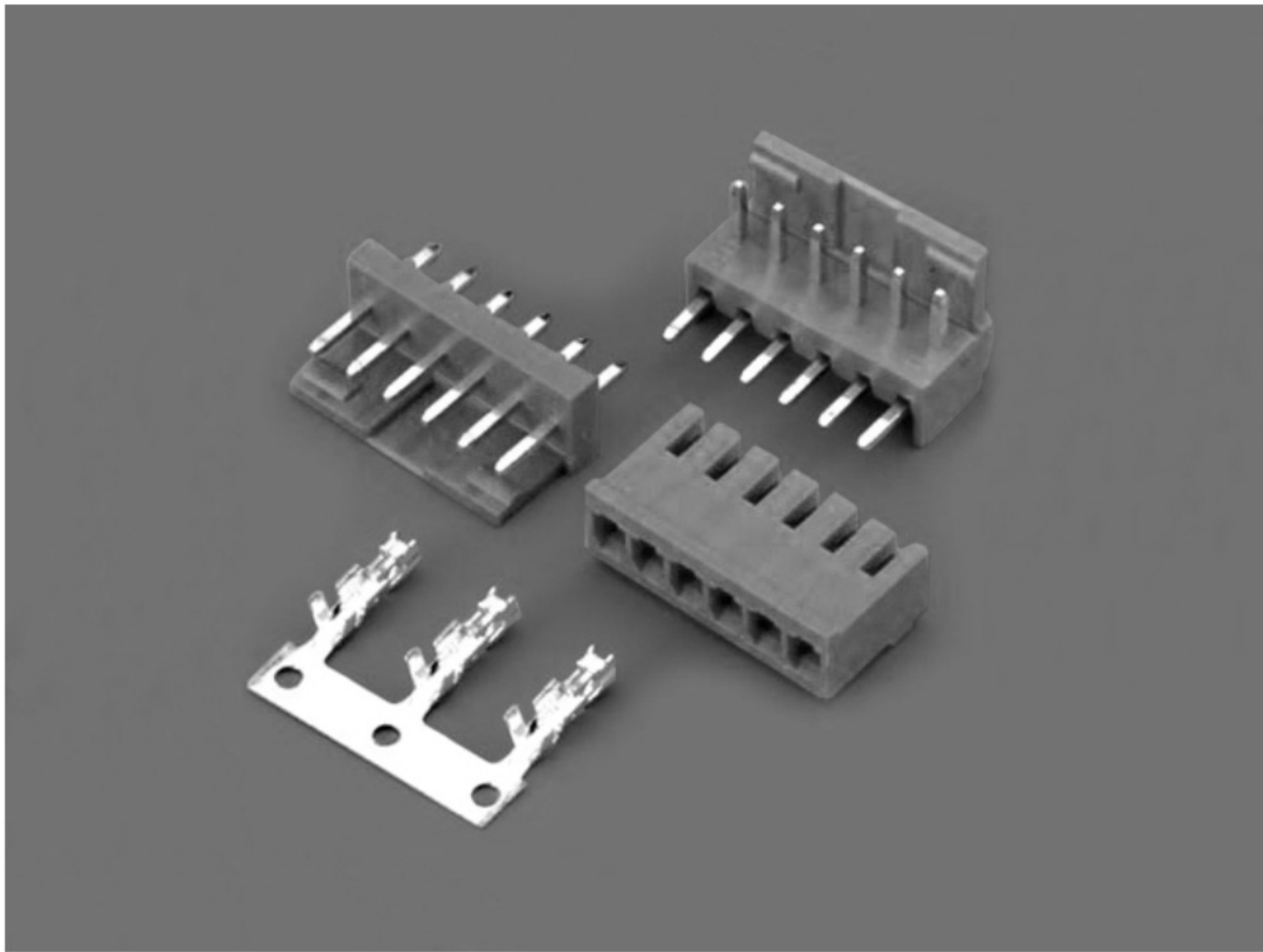


# 12500H SERIES

2.50mm PITCH WIRE TO BOARD CONNECTOR



## Specifications

Current rating: 3A AC,DC

Voltage rating: 250V AC,DC

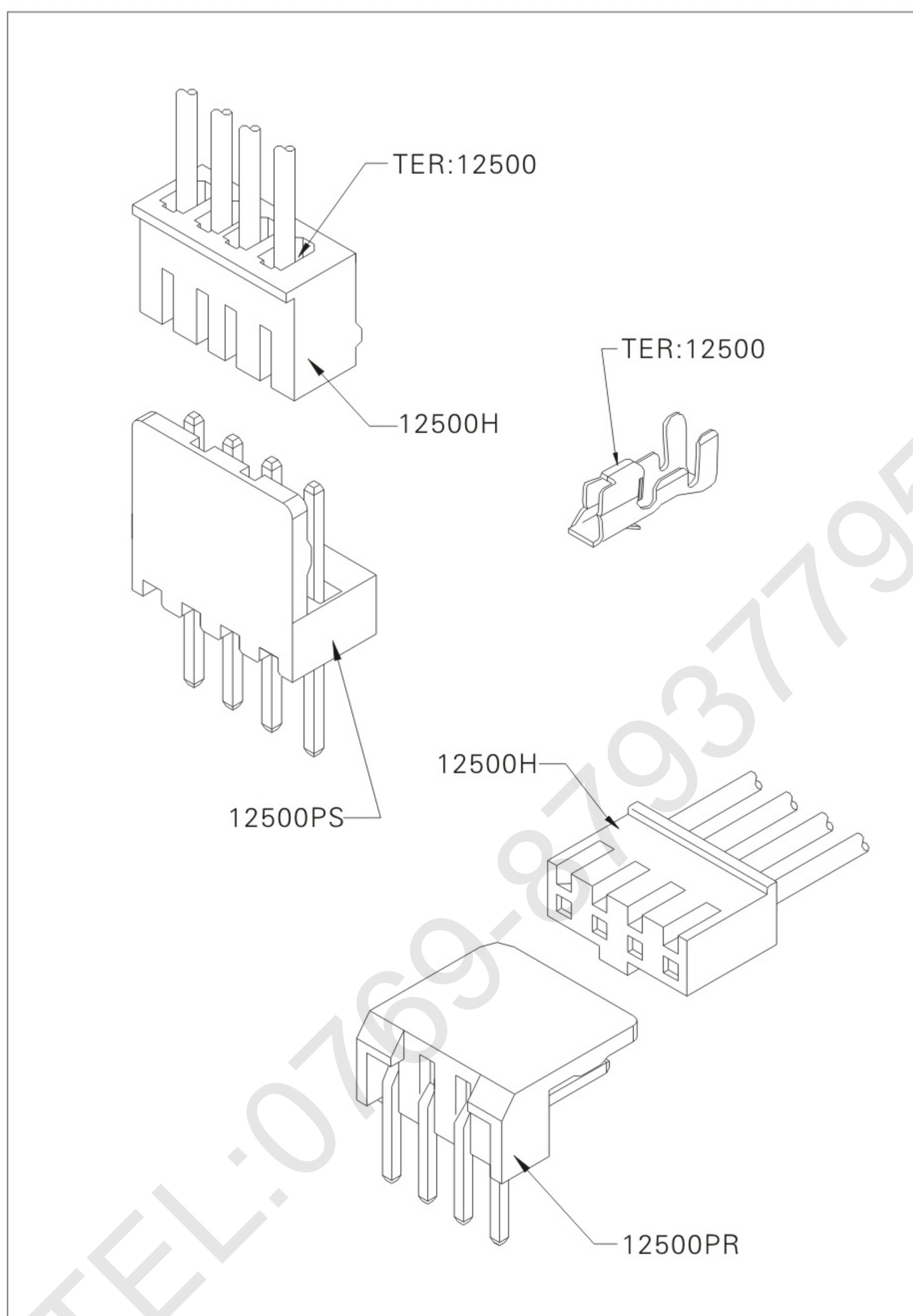
Temperature range: -25°C to + 85°C  
(including temperature rise)

Contact resistance: Initial value/10m Ω Max.  
After environmental testing/20m Ω Max.

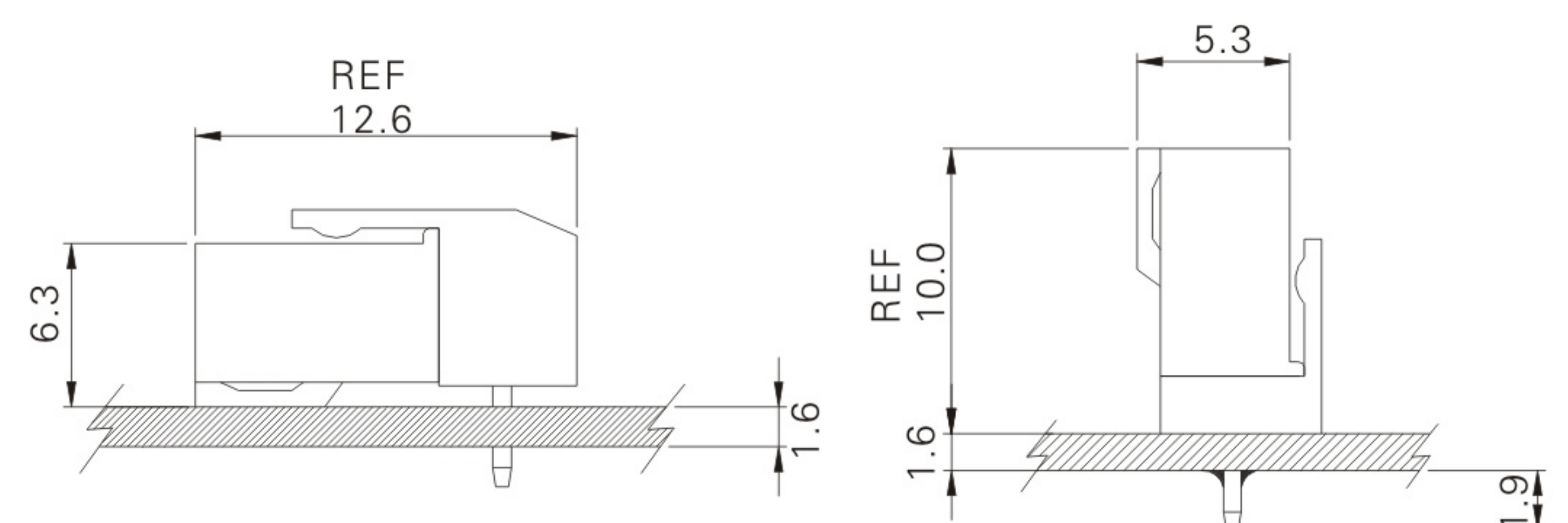
Insulation resistance: 1000M Ω Min.

Withstanding voltage: 800V AC/minute

Applicable wire: AWG#22-28



## Assembly layout





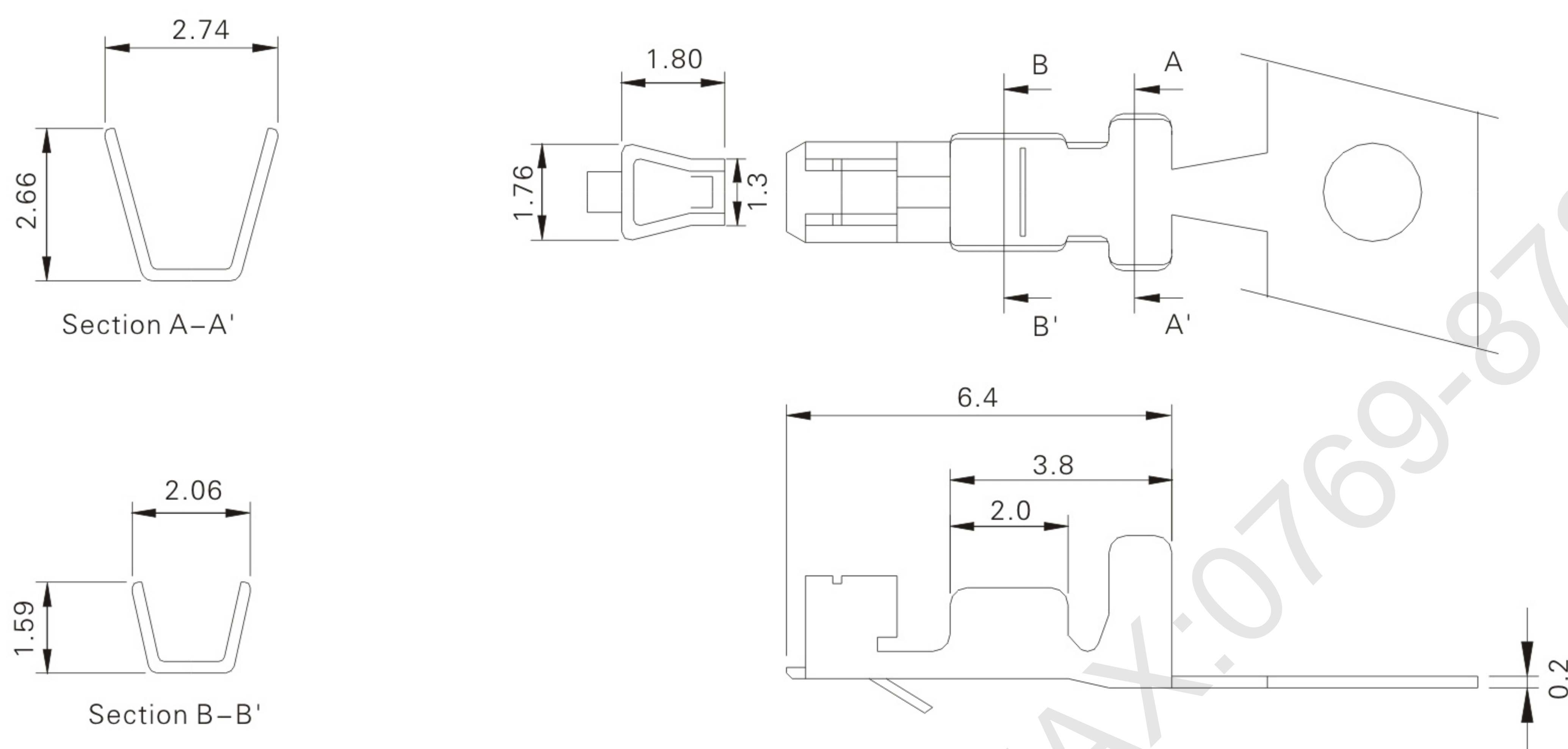
# 12500-T (2.50mm pitch terminal)

## Reference Informations:

\*Thickness:0.2mm

\*Mates With: 12500H series Housing

\*Accepts With: 12500PS & 12500PR series Wafer



## Ordering Information & Specifications

unit:mm

Part No	Wire Range	Insulation O.D.	Material	Finish	Qty/reel
12500	AWG#22-#28	1.90mm(max)	Phosphor Bronze	Tin-plated	10,000

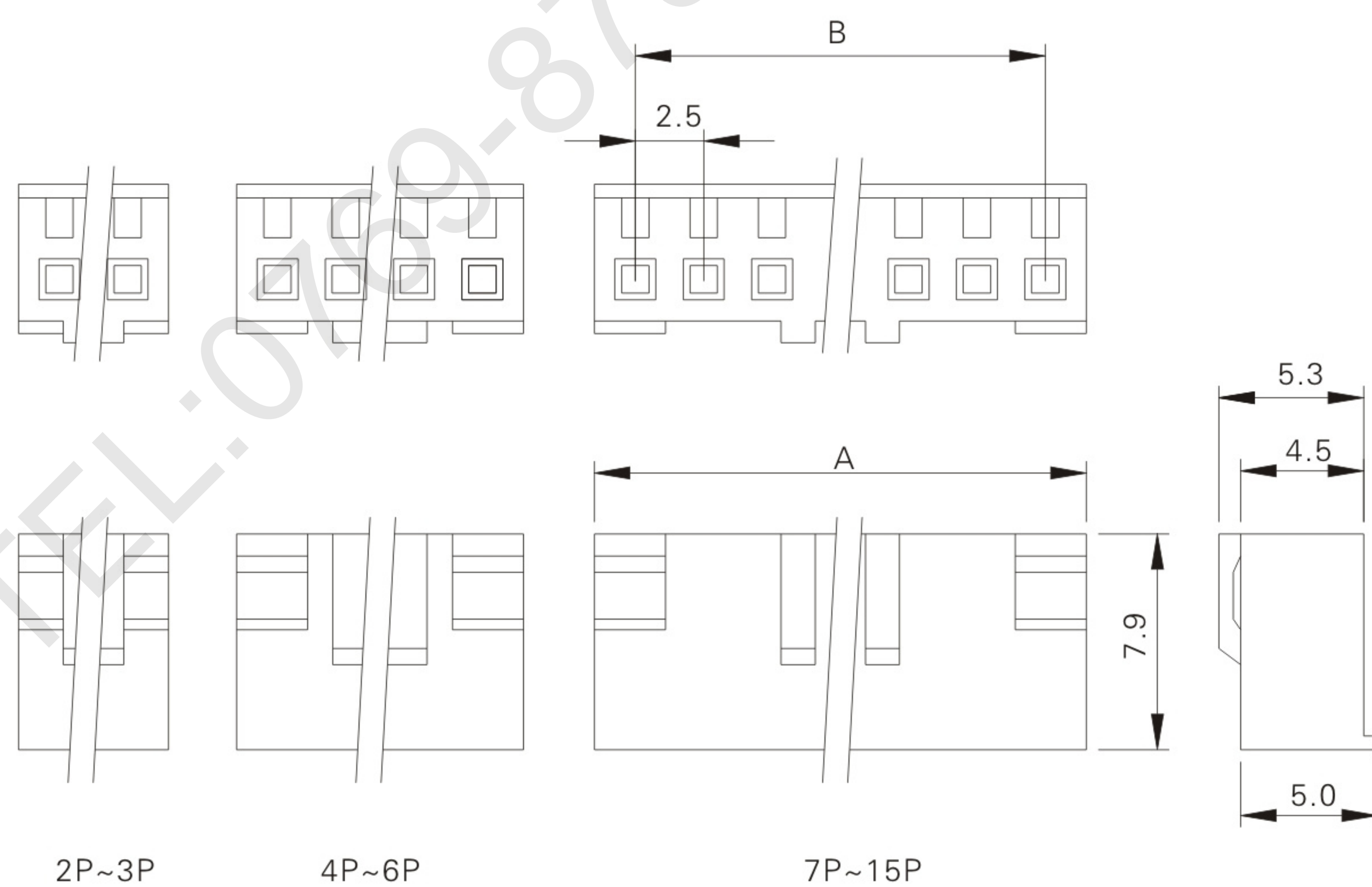
# 12500H-NP (2.50mm pitch crimp housing)

## Reference Informations:

\*Mat'l: Nylon 66 UL94V-0

\*Mates With: 12500-T series Terminal

\*Accepts With: 12500PS & 12500PR series Wafer



## Ordering Information & Dimensions

Circuits	Part No.	DIM.(mm)	
		A	B
02	12500H-02P	5.00	2.50
03	12500H-03P	8.00	5.00
04	12500H-04P	10.5	7.50
05	12500H-05P	13.0	10.0
06	12500H-06P	15.5	12.5
07	12500H-07P	18.0	15.0
08	12500H-08P	20.5	17.5
09	12500H-09P	23.0	20.0
10	12500H-10P	25.5	22.5
11	12500H-11P	28.0	25.0
12	12500H-12P	30.5	27.5
13	12500H-13P	33.0	30.0
14	12500H-14P	35.5	32.5
15	12500H-15P	38.0	35.0



# 12500PS-NP (2.50mm pitch 180° Wafer)

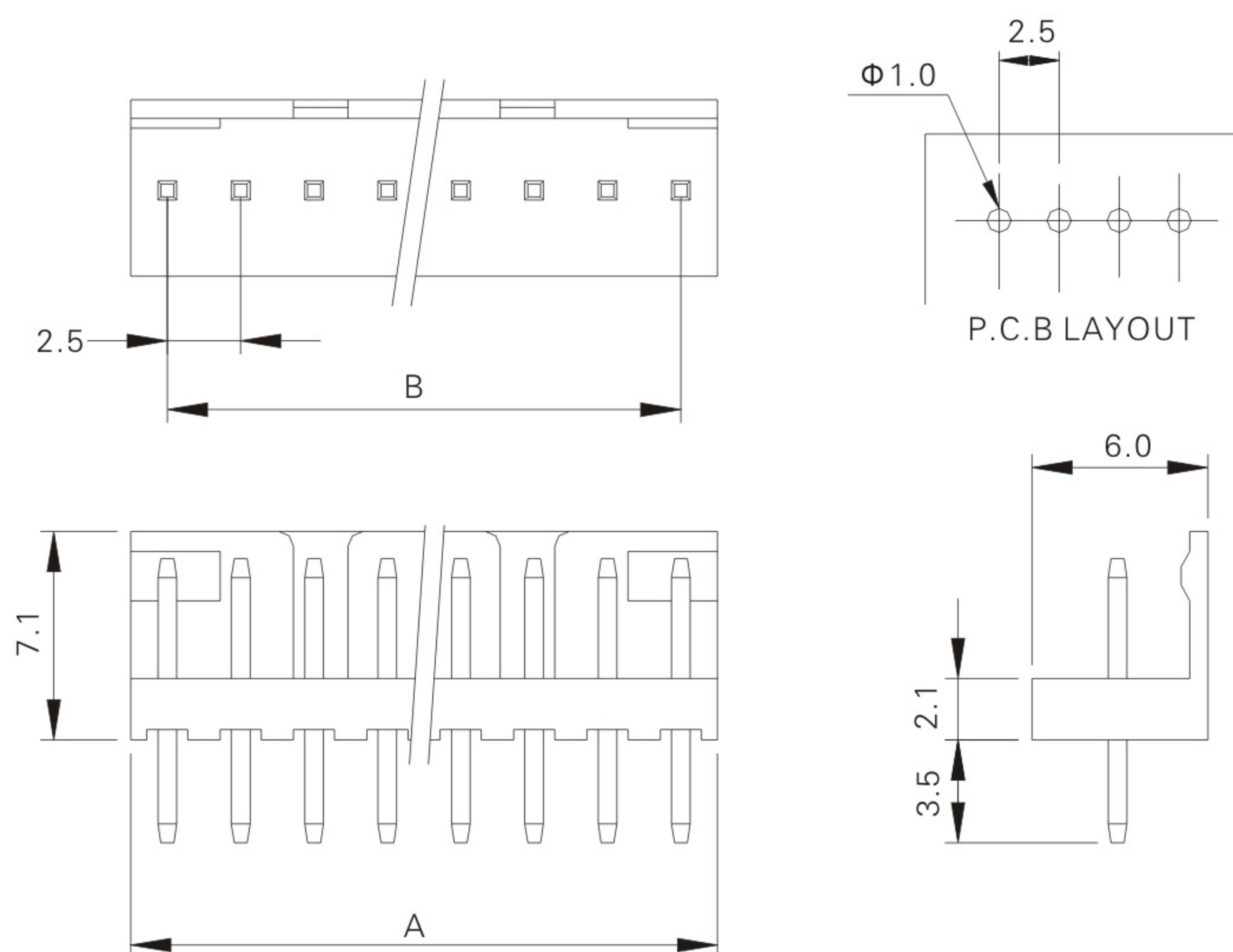
## Reference Informations:

\*Mat'l:Body: Nylon 66 UL94V-0

Pins:Brass Tin plated

\*Mates With: 12500H series Housing

\*Accepts With: 12500-T series Terminal



## Ordering Information & Dimensions

Circuits	Part No.	DIM.(mm)	
		A	B
02	12500PS-02P	5.00	2.50
03	12500PS-03P	7.50	5.00
04	12500PS-04P	10.00	7.50
05	12500PS-05P	12.50	10.00
06	12500PS-06P	15.00	12.50
07	12500PS-07P	17.50	15.00
08	12500PS-08P	20.00	17.50
09	12500PS-09P	22.50	20.00
10	12500PS-10P	25.00	22.50
11	12500PS-11P	27.50	25.00
12	12500PS-12P	30.00	27.50
13	12500PS-13P	32.50	30.00
14	12500PS-14P	35.00	32.50
15	12500PS-15P	37.50	35.00

# 12500PR-NP (2.50mm pitch 90° Wafer)

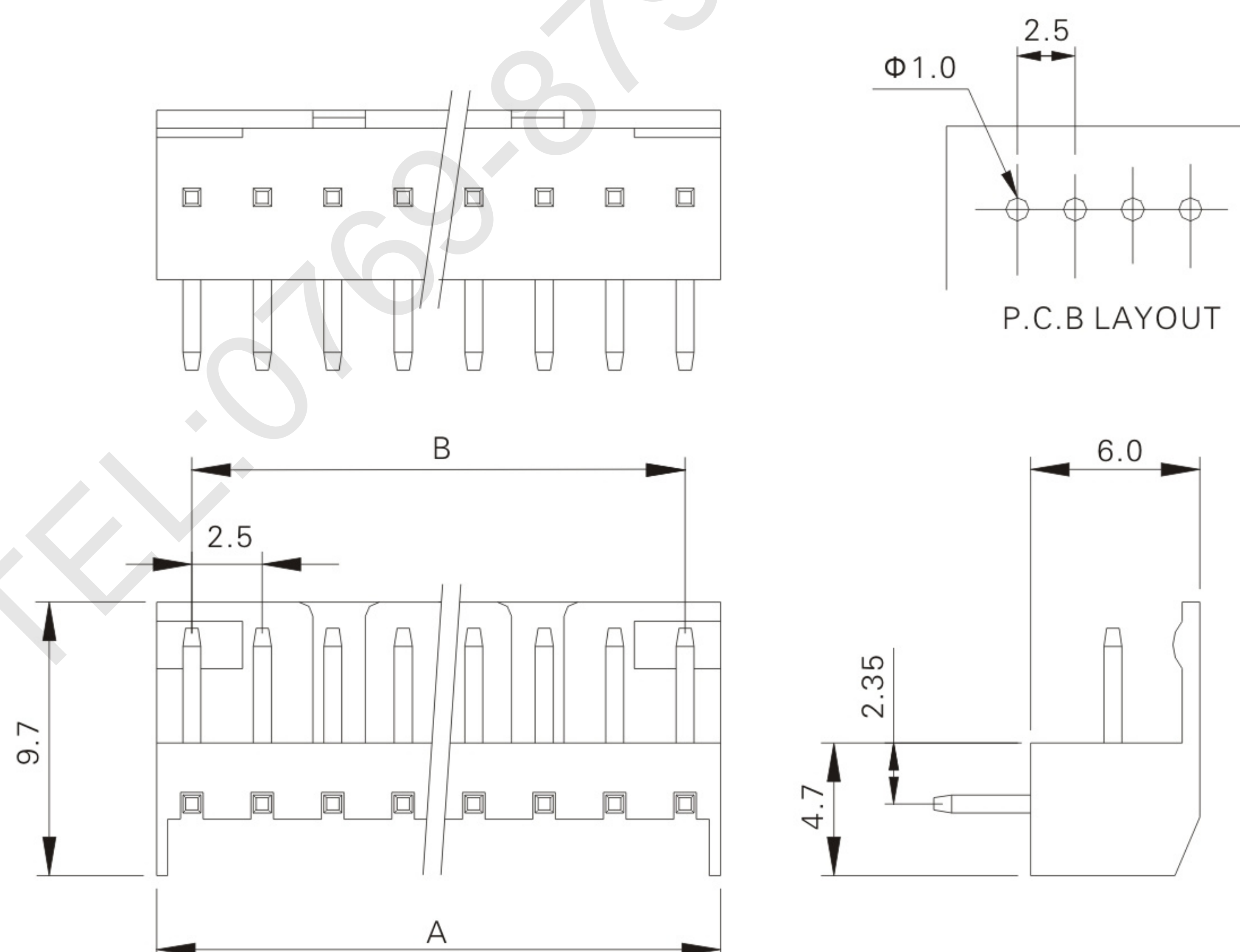
## Reference Informations:

\*Mat'l:Body: Nylon 66 UL94V-0

Pins: Brass Tin plated

\*Mates With: 12500H series Housing

\*Accepts With: 12500-T series Terminal



## Ordering Information & Dimensions

Circuits	Part No.	DIM.(mm)	
		A	B
02	12500PR-02P	5.00	2.50
03	12500PR-03P	7.50	5.00
04	12500PR-04P	10.00	7.50
05	12500PR-05P	12.50	10.00
06	12500PR-06P	15.00	12.50
07	12500PR-07P	17.50	15.00
08	12500PR-08P	20.00	17.50
09	12500PR-09P	22.50	20.00
10	12500PR-10P	25.00	22.50
11	12500PR-11P	27.50	25.00
12	12500PR-12P	30.00	27.50
13	12500PR-13P	32.50	30.00
14	12500PR-14P	35.00	32.50
15	12500PR-15P	37.50	35.00