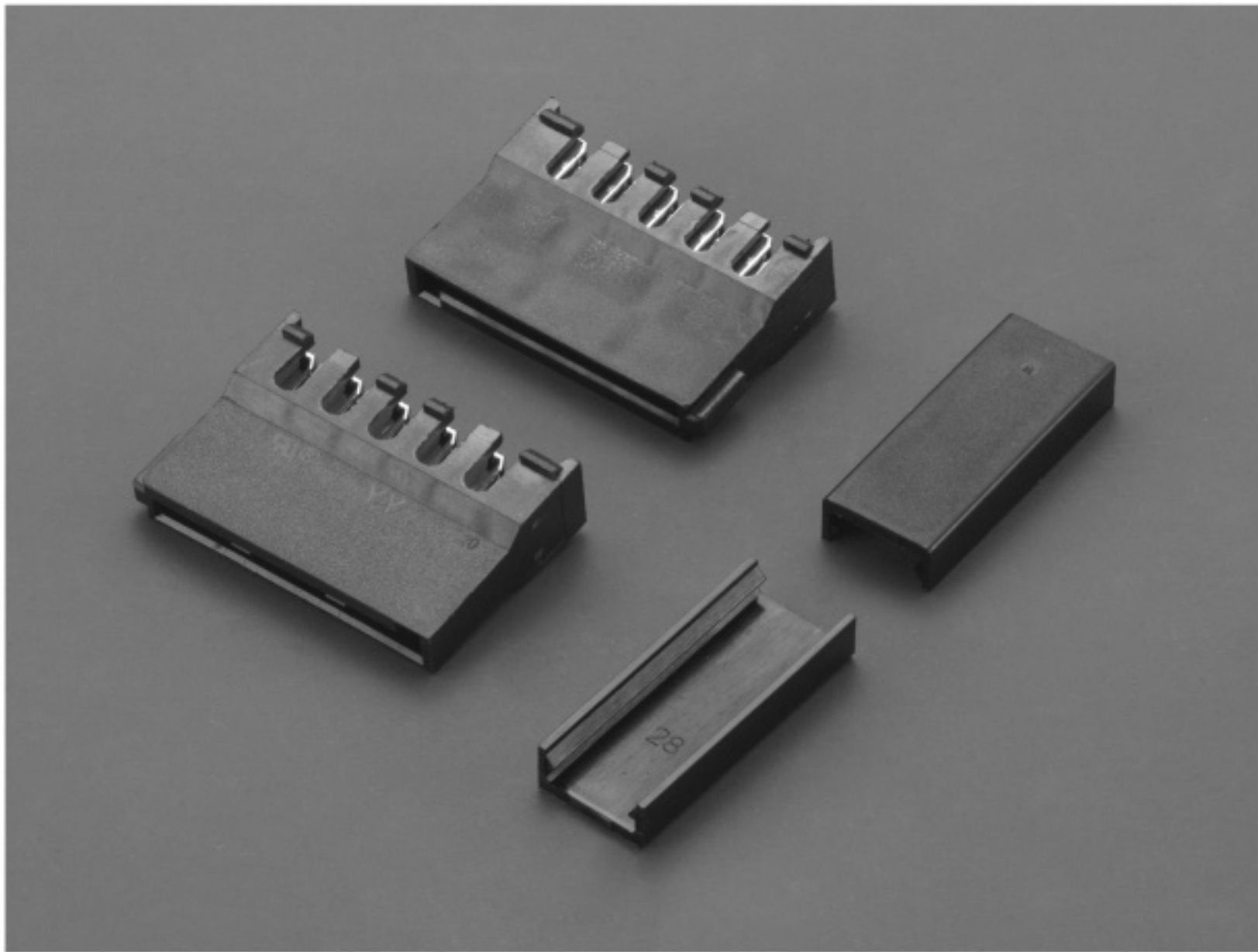


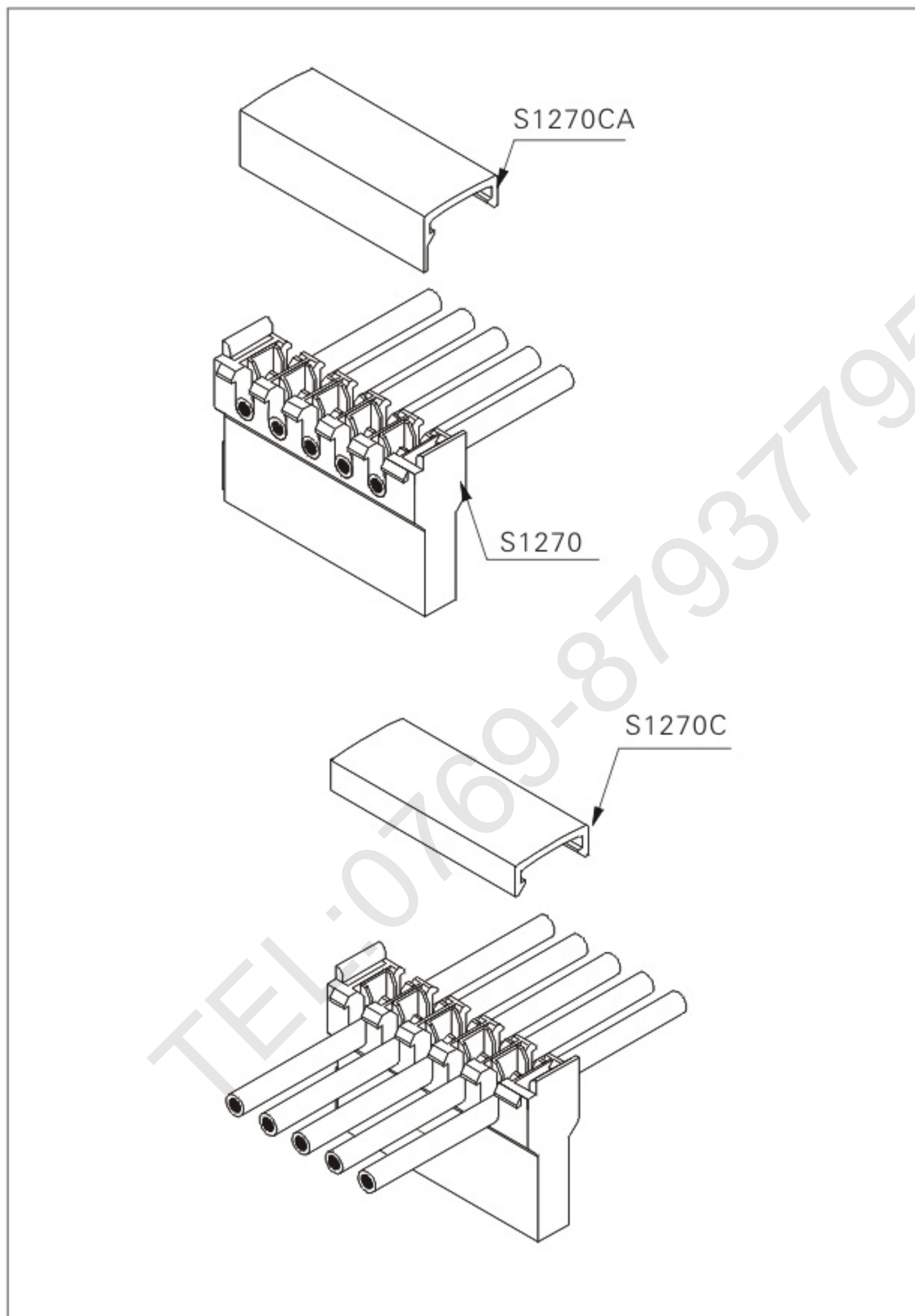
S1270 SERIES

1.27mm PITCH IDC WIRE TO BOARD CONNECTOR

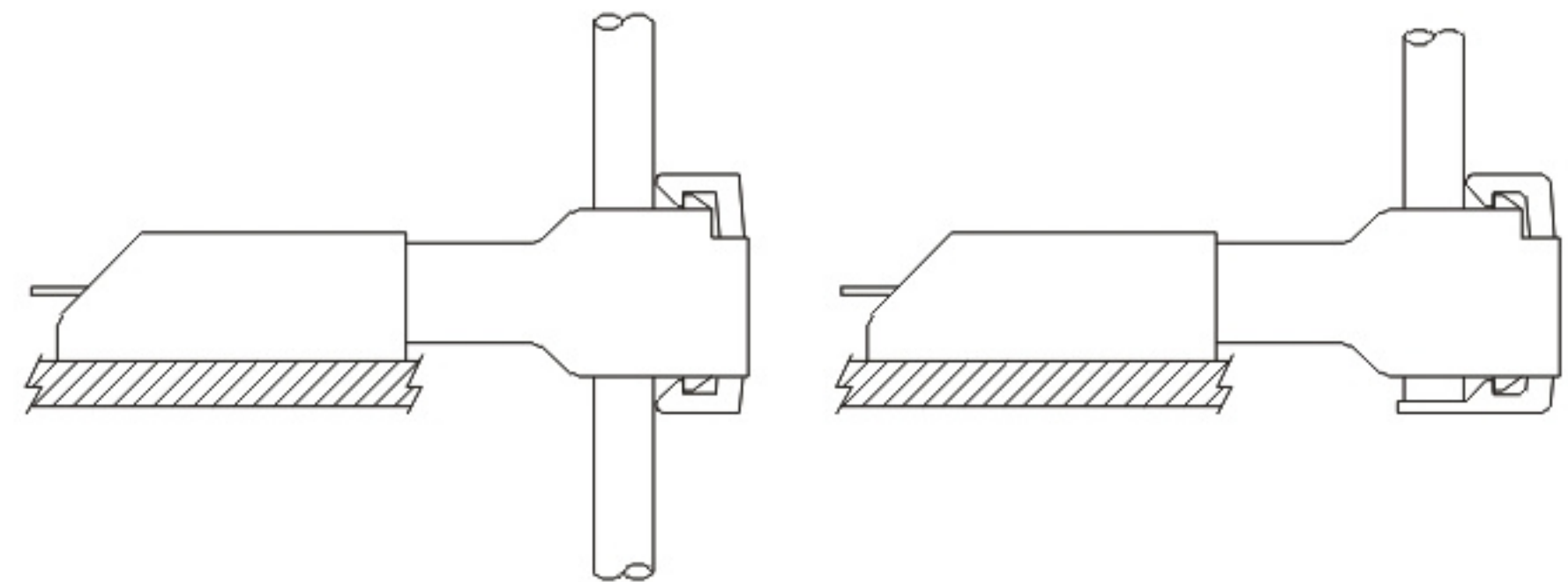


Specifications

Poles: 5 poles(15P)
pitch between poles: 3.81mm(1.27)
Rated voltage: 30V AC/DC
Rated current: 1.5A AC DC
Withstand voltage: 500V AC/minute
Contact resistance: 30m Ω Max
Insulation resistance: 1000m Ω min
Temperature range: -40 $^{\circ}$ C~+85 $^{\circ}$ C
Applicable wire range: AWG#18-#20



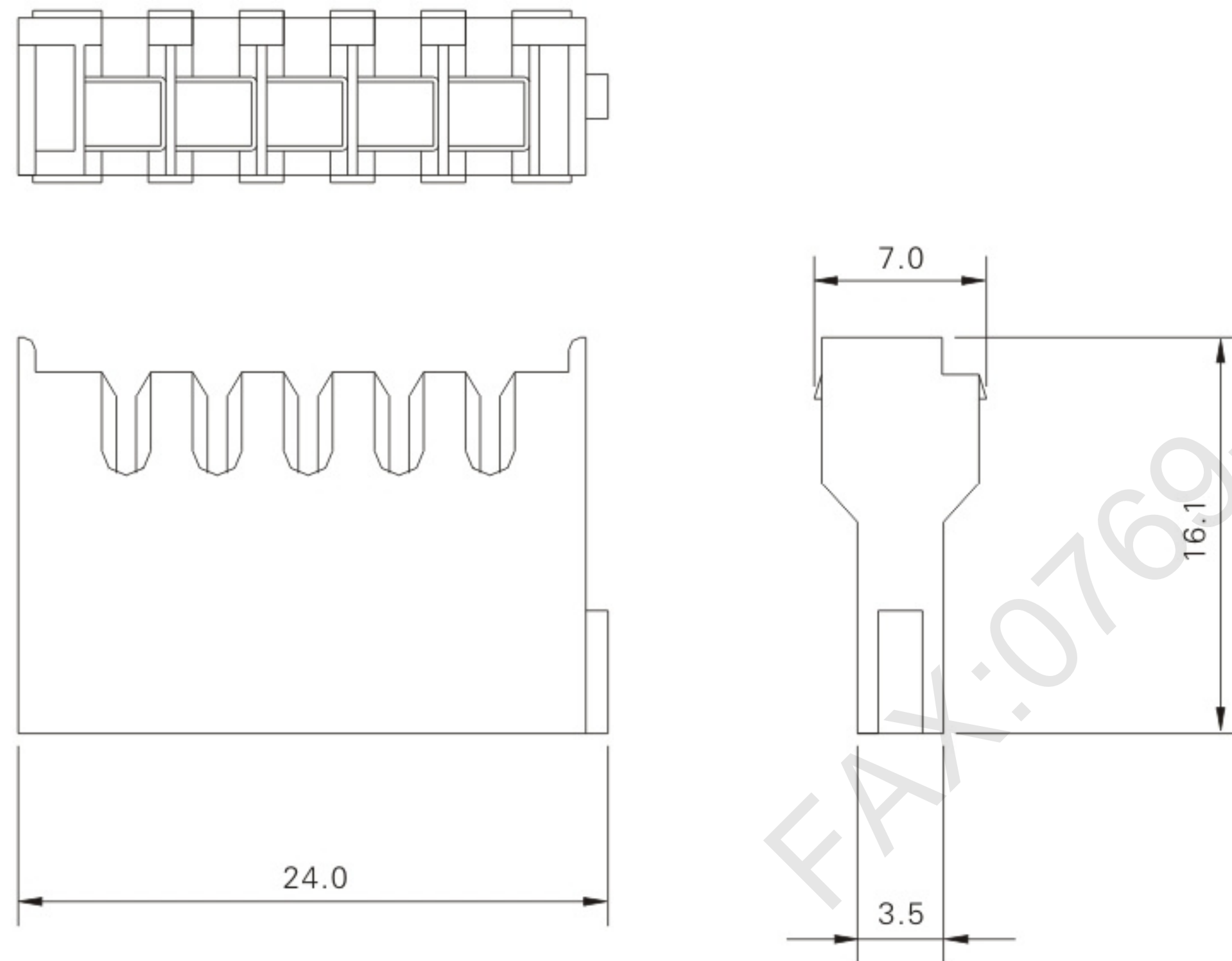
Assembly layout



S1270 (1.27mm pitch IDC closed end type connector)

Reference Informations:

*Mat'l: PBT UL94V-0



S1270C S1270CA (1.27mm pitch closed end covers)

Reference Informations:

*Mat'l: PBT UL94V-0

