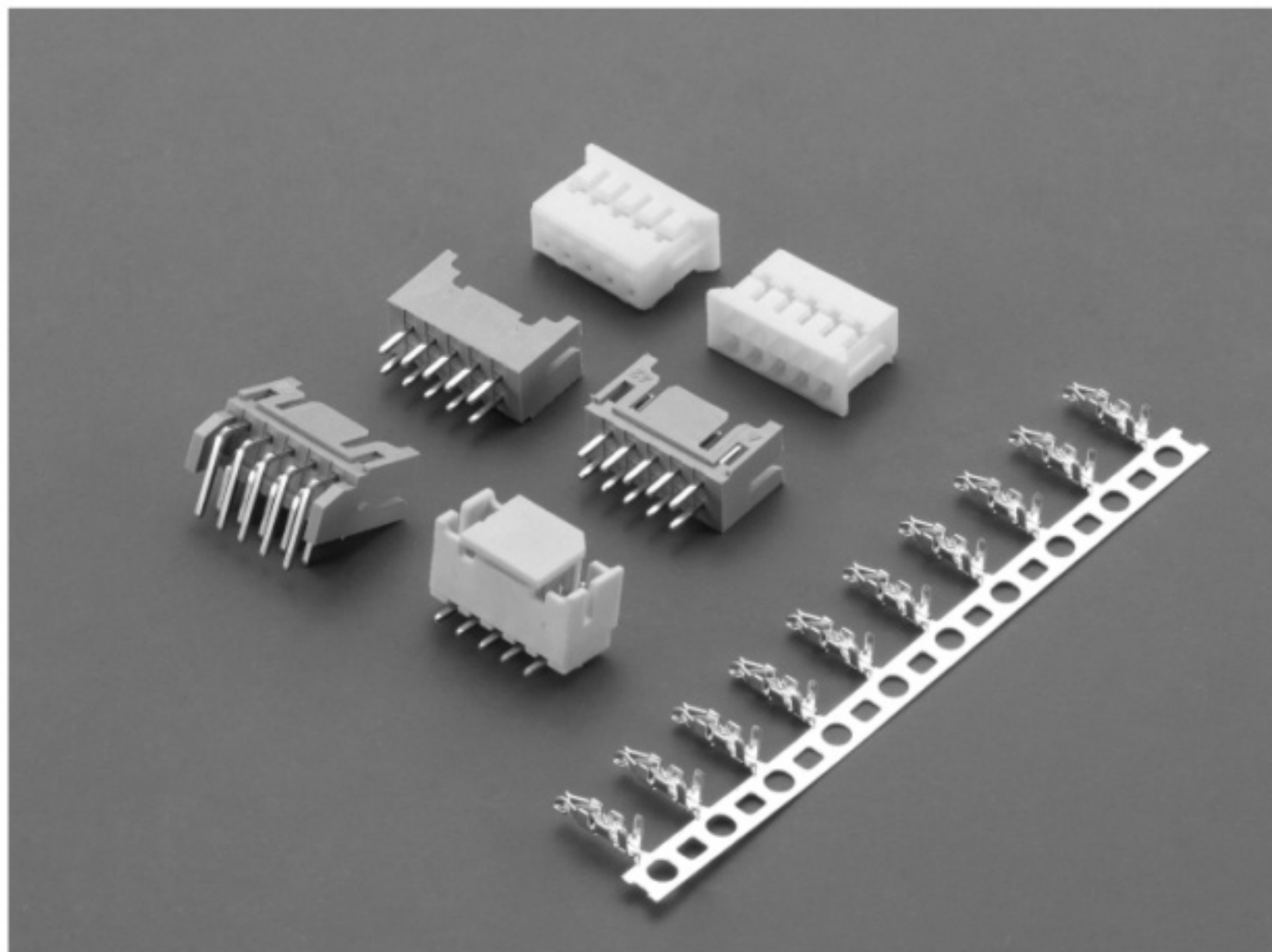


2220H SERIES

2.00mm PITCH WIRE TO BOARD CONNECTOR



Specifications

Current rating: 3A AC,DC

Voltage rating: 250V AC,DC

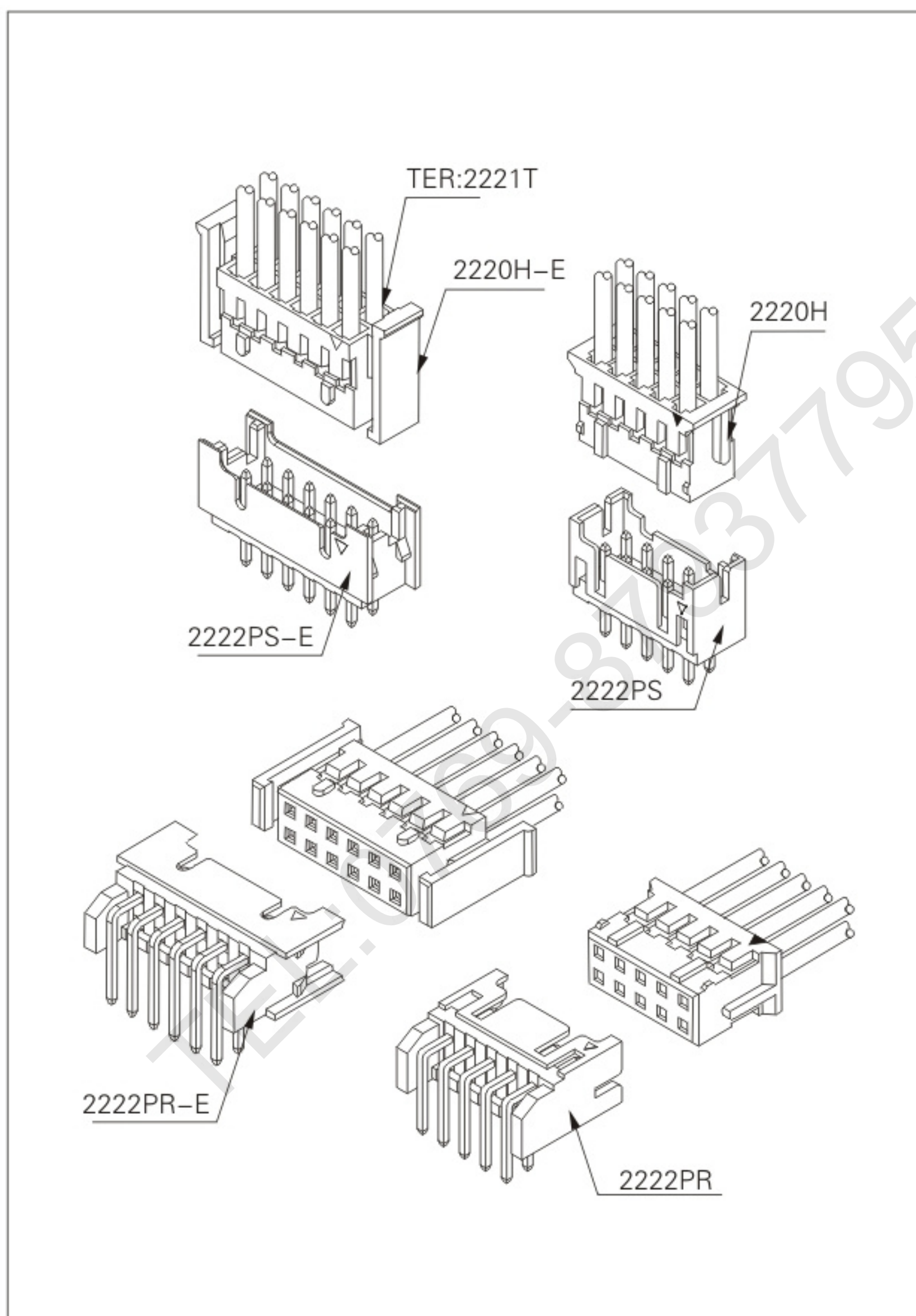
Temperature range: -25°C~+85°C

Contact resistance: 10mΩ Max.

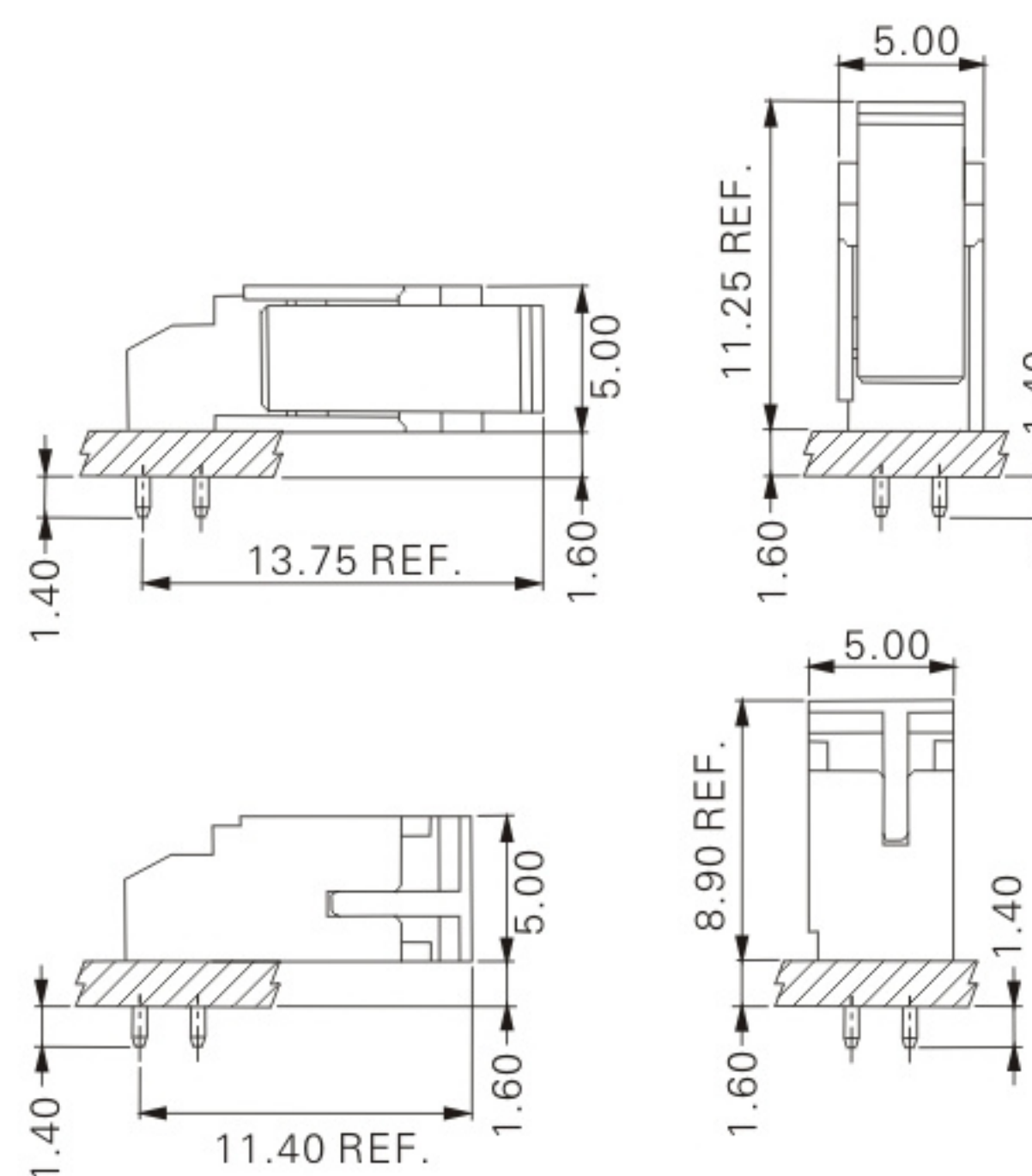
Insulation resistance: 1000mΩ Min.

Withstanding voltage: 800V AC/minute

Applicable wire: AWG#22-#28



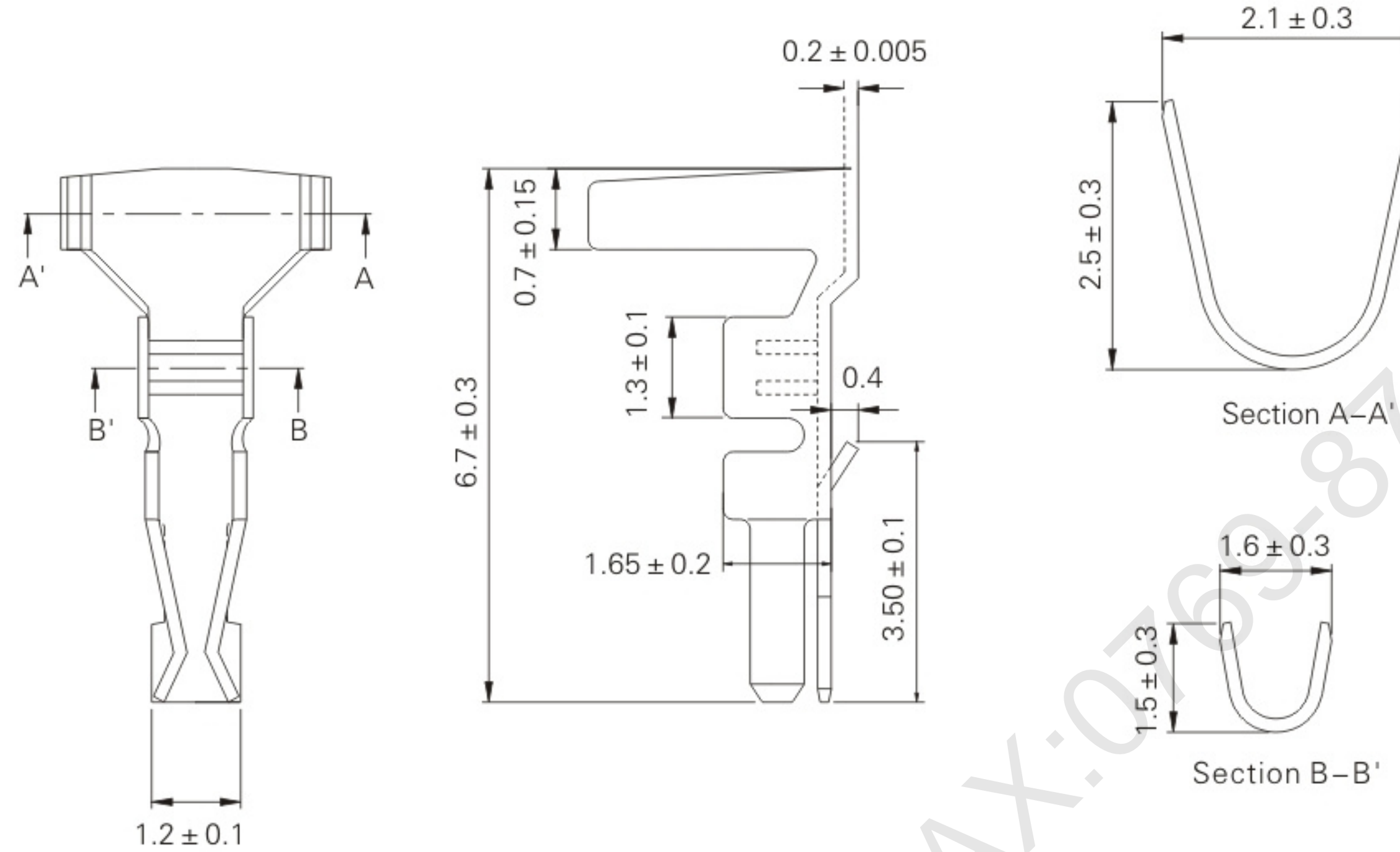
Assembly layout



2221-T (2.00mm pitch crimp terminal)

Reference Informations:

*Used in 2220H series Housing



Ordering Information & Specifications

Unit: mm

Part No.	Wire Range	Insulation O.D.	Material	Finish	Qty/reel
2221P	AWG#22-#28	1.50mm(max)	Phosphor Bronze	Tin-plated	10,000pcs
2221P-00				Gold-flash	

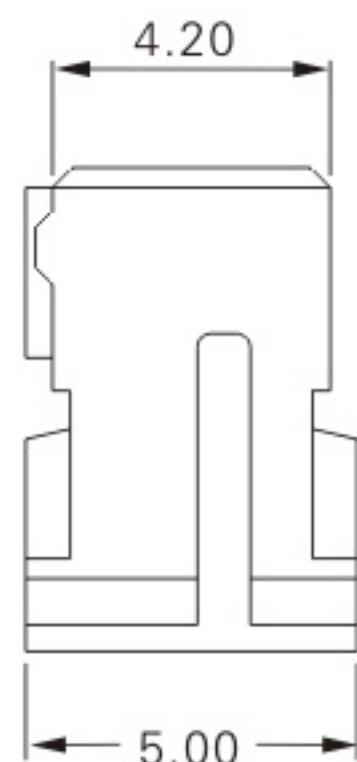
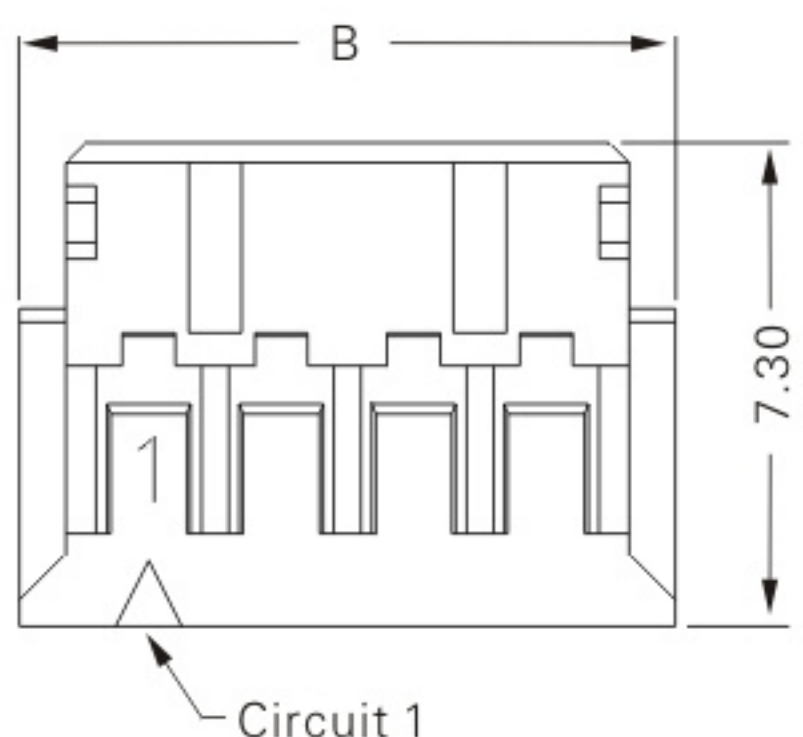
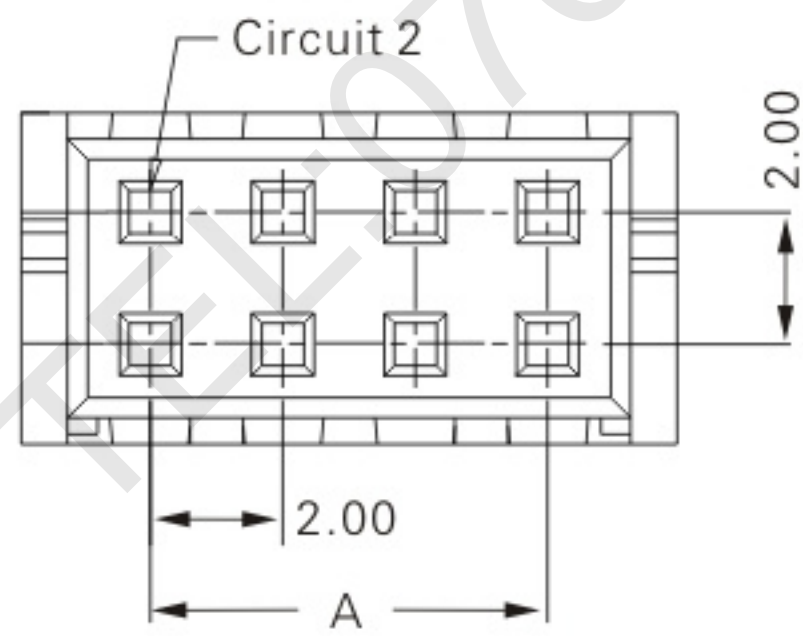
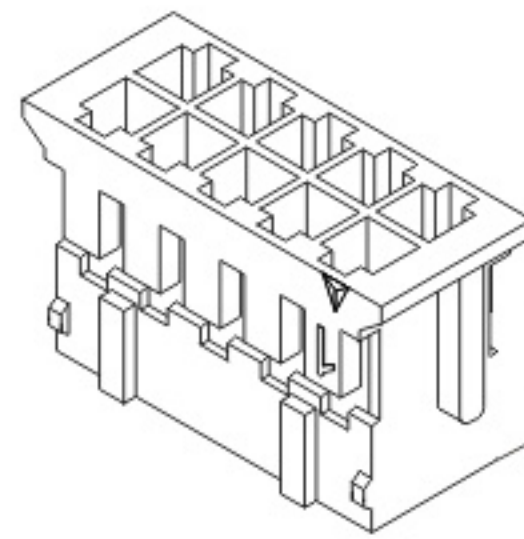
2220H-2XNP (2.00mm pitch dual row housing)

Reference Informations:

*Material:Nylon 66,UL94V-0

*Suitable 2221-T series Terminal

*Mates with 2222PS 2222PR series dual row Wafer



Ordering Information & Dimensions

Circuits	Part No.	DIM.(mm)	
		A	B
04	2220H-2X02P	2.00	5.90
06	2220H-2X03P	4.00	7.90
08	2220H-2X04P	6.00	9.90
10	2220H-2X05P	8.00	11.90
12	2220H-2X06P	10.00	13.90
14	2220H-2X07P	12.00	15.90
16	2220H-2X08P	14.00	17.90
18	2220H-2X09P	16.00	19.90
20	2220H-2X10P	18.00	21.90
22	2220H-2X11P	20.00	23.90
24	2220H-2X12P	22.00	25.90
26	2220H-2X13P	24.00	27.90
28	2220H-2X14P	26.00	29.90
30	2220H-2X15P	28.00	31.90
32	2220H-2X16P	30.00	33.90
34	2220H-2X17P	32.00	35.90
36	2220H-2X18P	34.00	37.90
38	2220H-2X19P	36.00	39.90
40	2220H-2X20P	38.00	41.90

2222PS-2XNP (2.00mm pitch 180° dual row waferl)

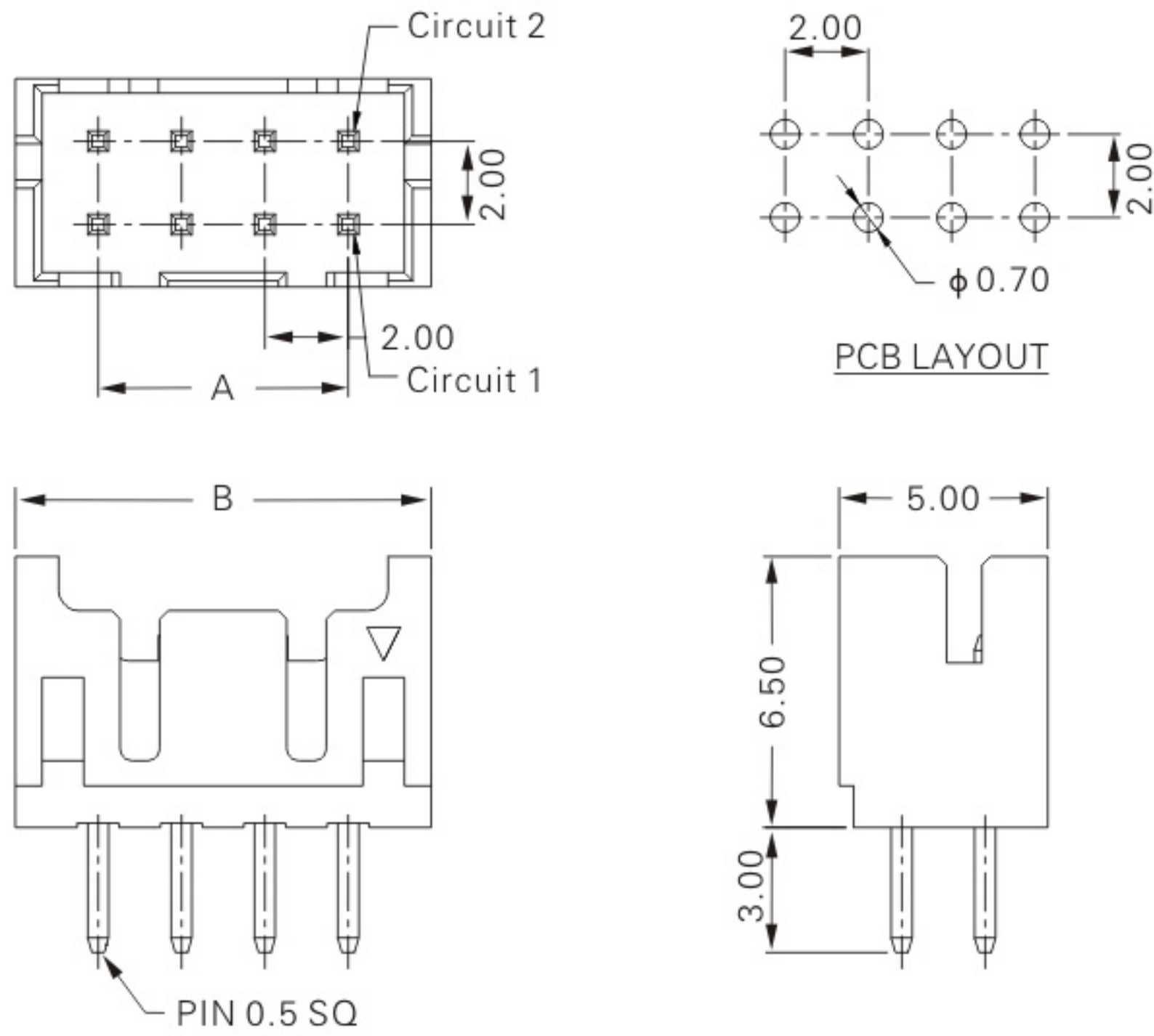
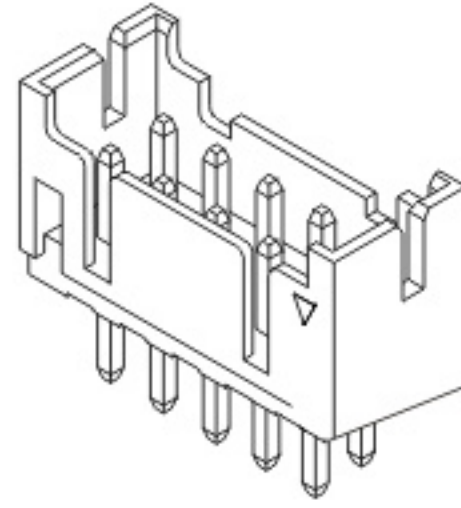
Reference Informations:

*Material:Pin:Brass/Tin-plated

Wafer:Nylon 66,UL94V-0

Nylon 9T,UL 94V-0

*Mates with 2220H series dual row Housing



Ordering Information & Dimensions

Circuits	Part No.	DIM.(mm)	
		A	B
04	2222PS-2X02P	2.00	6.00
06	2222PS-2X03P	4.00	8.00
08	2222PS-2X04P	6.00	10.00
10	2222PS-2X05P	8.00	12.00
12	2222PS-2X06P	10.00	14.00
14	2222PS-2X07P	12.00	16.00
16	2222PS-2X08P	14.00	18.00
18	2222PS-2X09P	16.00	20.00
20	2222PS-2X10P	18.00	22.00
22	2222PS-2X11P	20.00	24.00
24	2222PS-2X12P	22.00	26.00
26	2222PS-2X13P	24.00	28.00
28	2222PS-2X14P	26.00	30.00
30	2222PS-2X15P	28.00	32.00
32	2222PS-2X16P	30.00	34.00

2222PR-2XNP (2.00mm pitch 90° dual row wafer)

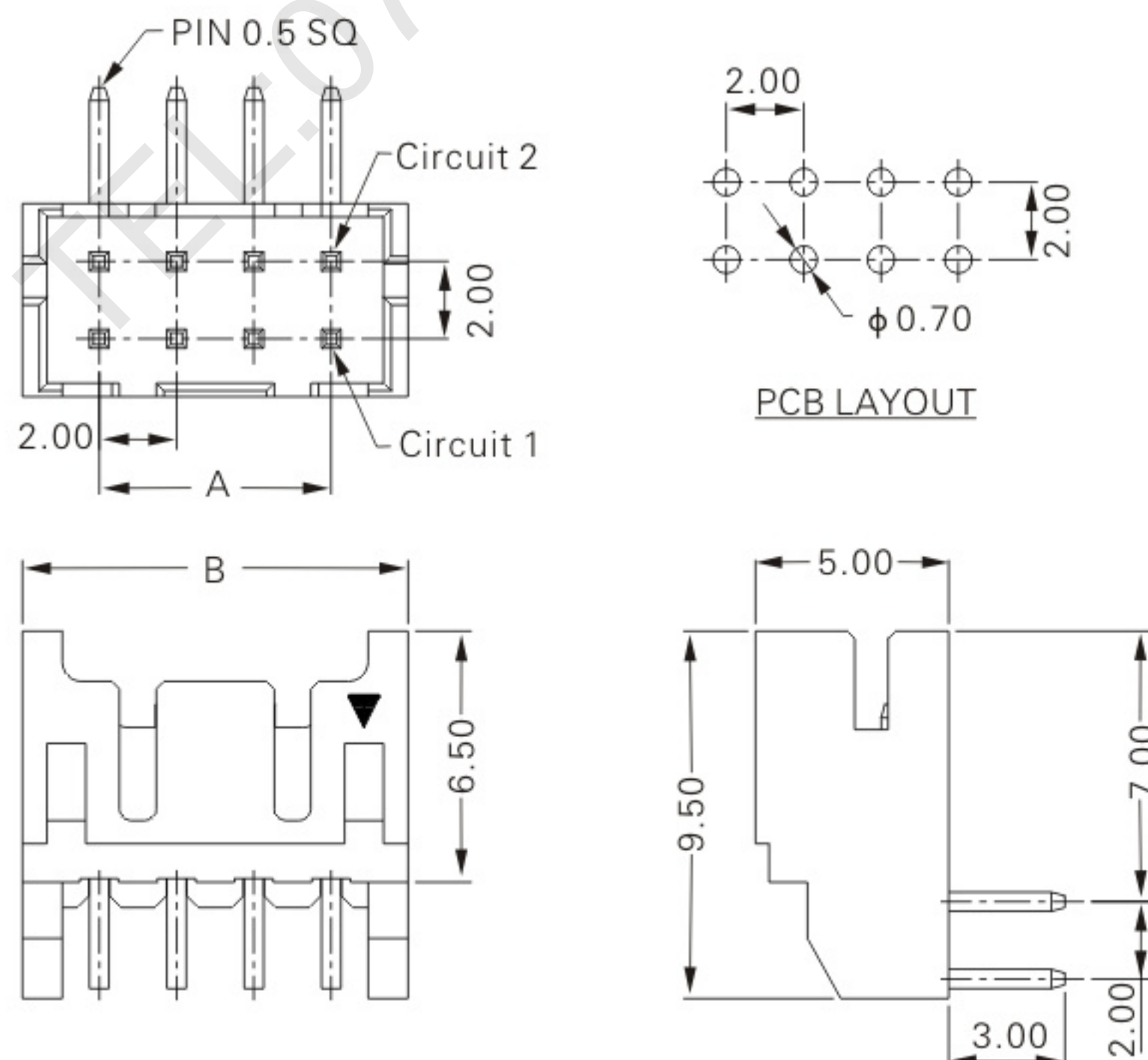
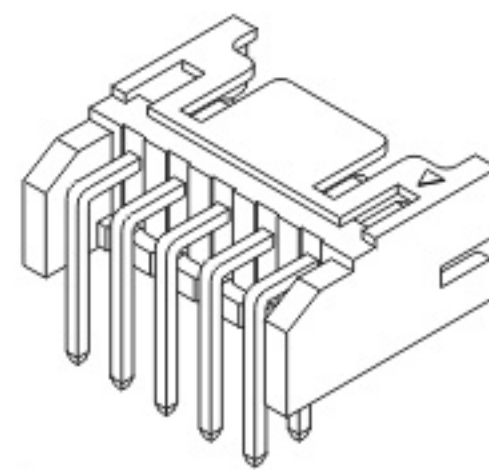
Reference Informations:

*Material:Pin:Brass/Tin-plated

Wafer:Nylon 66,UL94V-0

Nylon 9T,UL 94V-0

*Mates with 2220H series dual row Housing



Ordering Information & Dimensions

Circuits	Part No.	DIM.(mm)	
		A	B
04	2222PR-2X02P	2.00	6.00
06	2222PR-2X03P	4.00	8.00
08	2222PR-2X04P	6.00	10.00
10	2222PR-2X05P	8.00	12.00
12	2222PR-2X06P	10.00	14.00
14	2222PR-2X07P	12.00	16.00
16	2222PR-2X08P	14.00	18.00
18	2222PR-2X09P	16.00	20.00
20	2222PR-2X10P	18.00	22.00
22	2222PR-2X11P	20.00	24.00
24	2222PR-2X12P	22.00	26.00
26	2222PR-2X13P	24.00	28.00
28	2222PR-2X14P	26.00	30.00
30	2222PR-2X15P	28.00	32.00
32	2222PR-2X16P	30.00	34.00