

Specifications

Current rating: 3A AC,DC

Voltage rating: 250V AC,DC

Temperature range: -25°C to +85°C
(including temperature rise)

Contact resistance: Initial value/ 10m Ω Max.

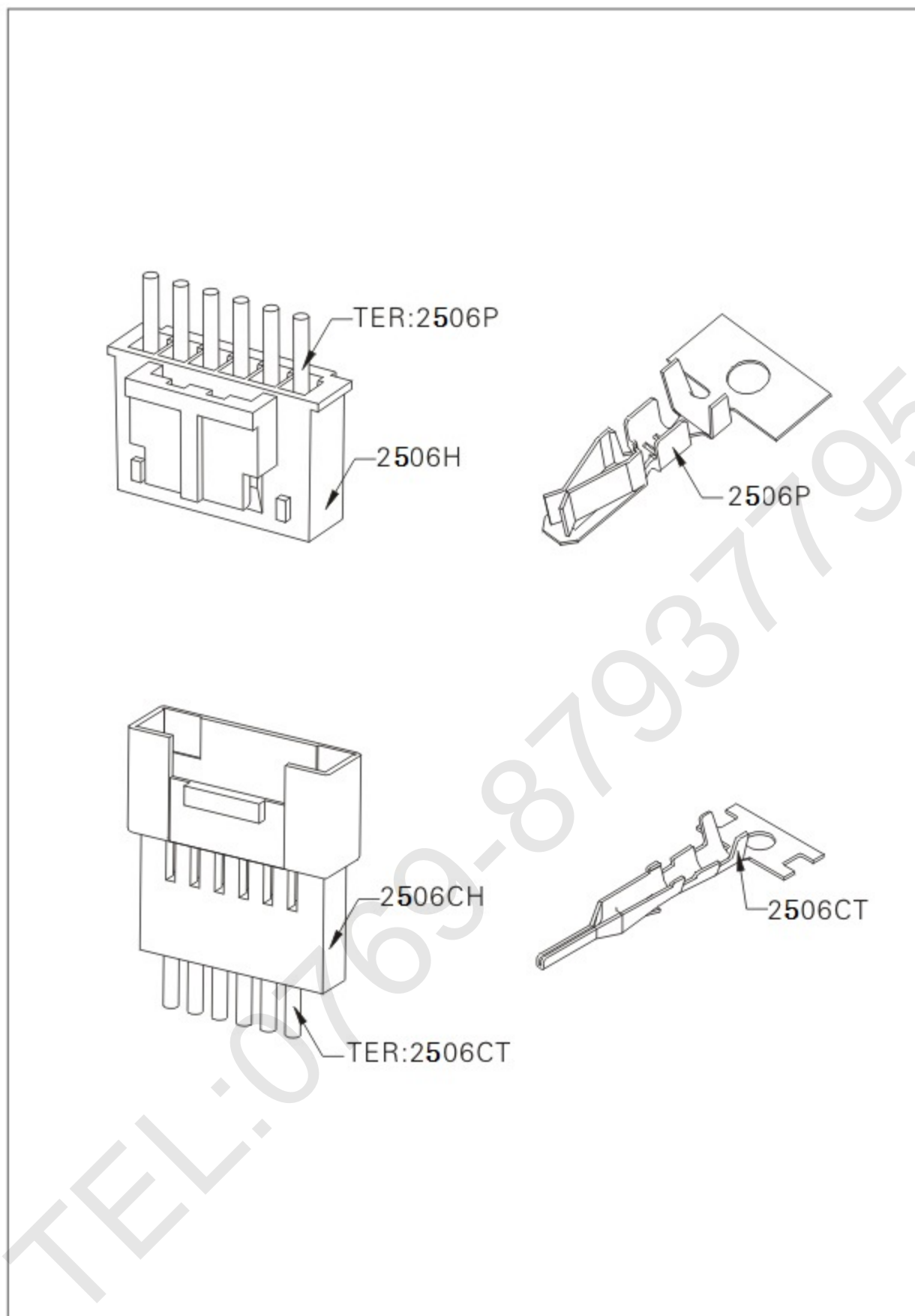
After environmental testing/20m Ω Max.

Insulation resistance: 1000M Ω Min.

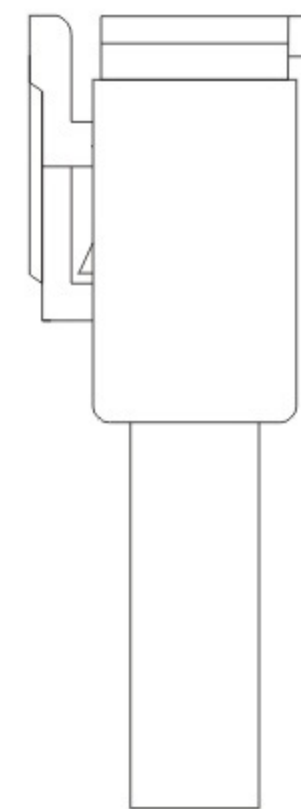
Withstanding voltage: 1500V AC/minute

Applicable wire: 2506 AWG#22-#2

2506CT:AWG#22-#28



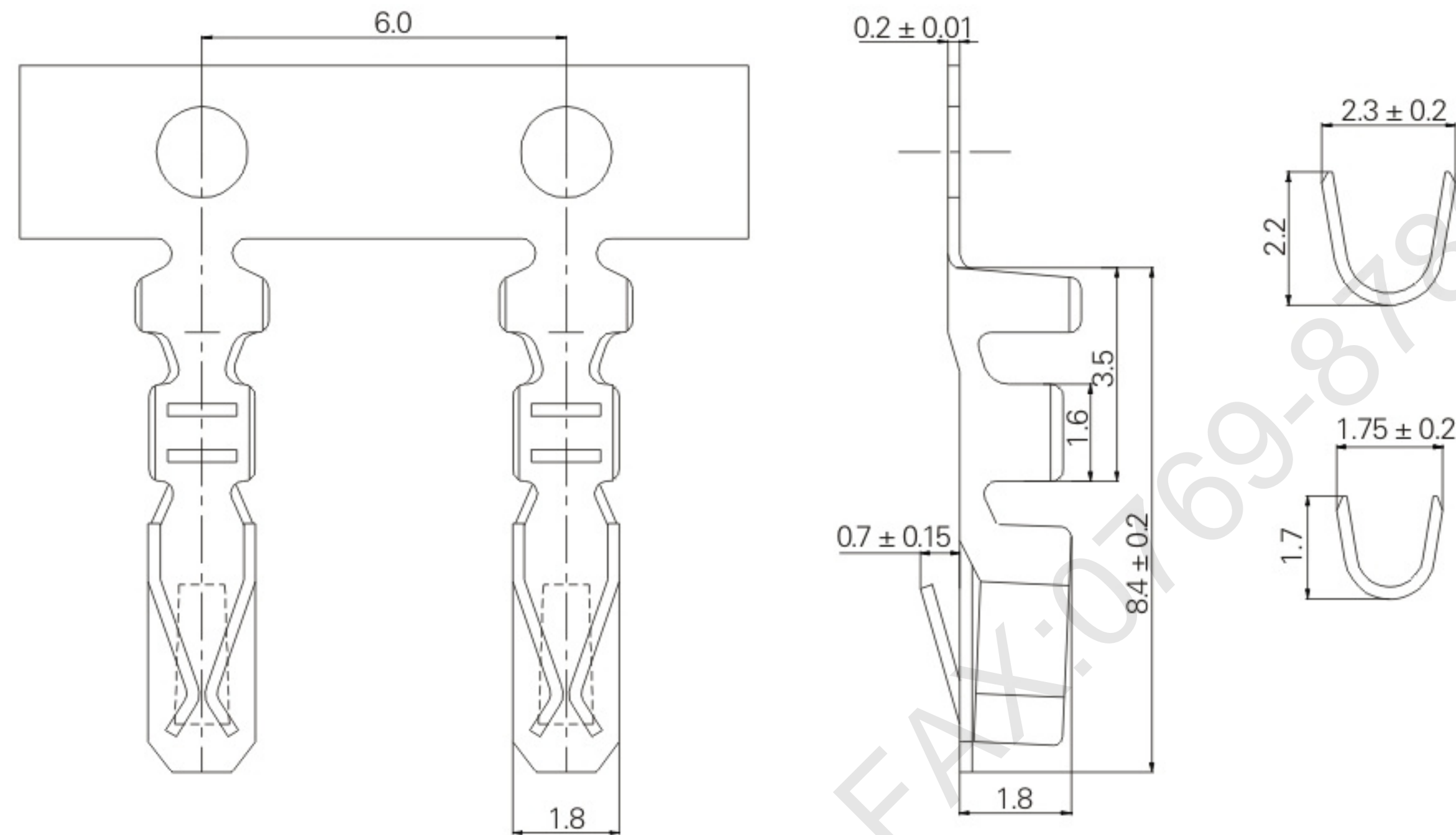
Assembly layout



2506-T (2.50mm pitch crimp terminal)

Reference Informations:

- *Thickness: 0.2mm
- *Mat'l: Brass Tin Plated
- *Mates with 2506H series Housing



Ordering Information & Specifications

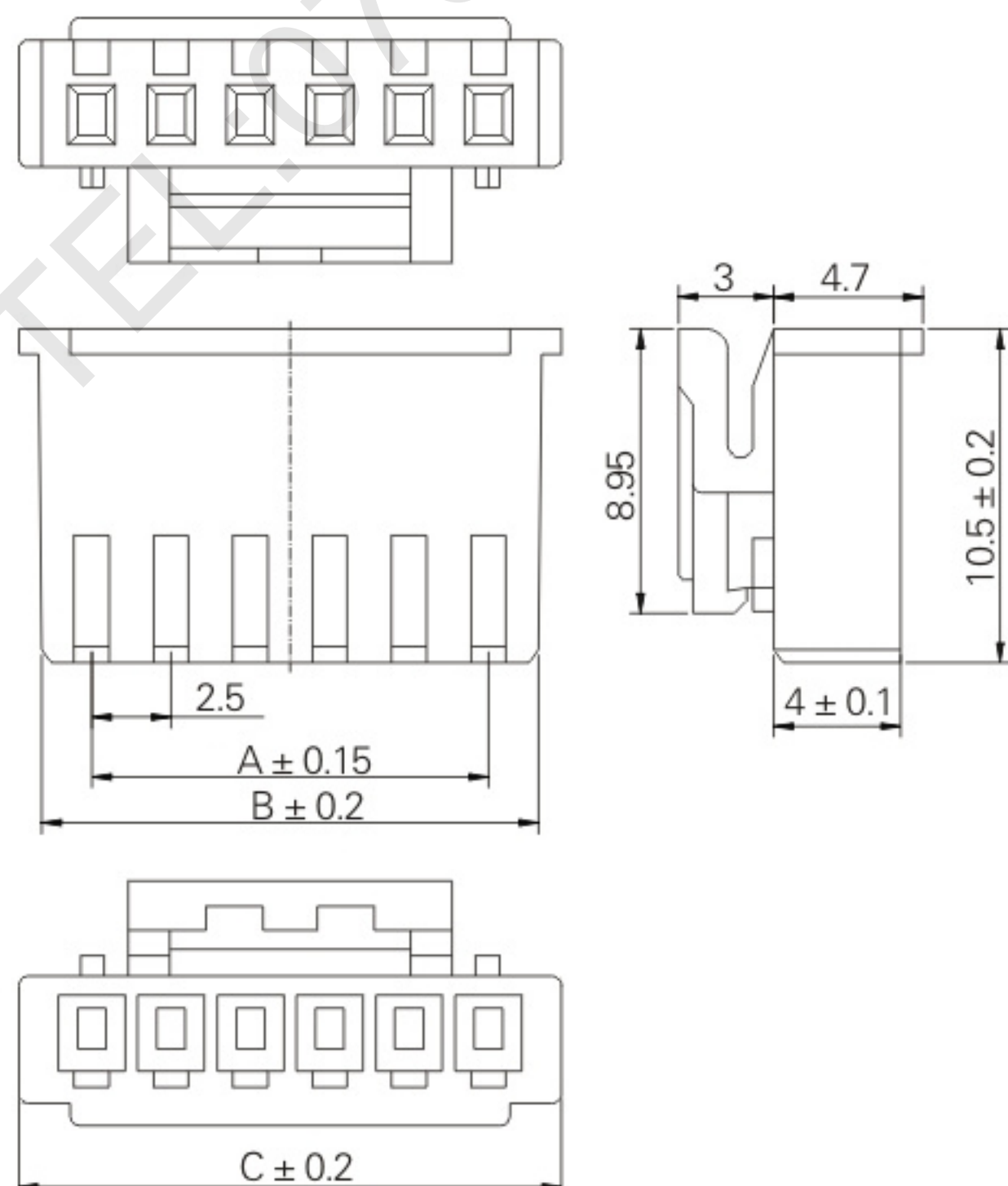
Unit: mm

Part No.	Wire Range	Insulation O.D.	Material	Finish	Qty/reel
2506P	AWG#22-#28	1.40mm(max)	Phosphor Bronze	Tin-plated	14,000

2506H-NP (2.50mm pitch crimp housing)

Reference Informations:

- *Mat'l: Nylon 66, UL94V-0
- *Mates with: 2506T series Terminal
- *Accepts with: 2506CH series Housing



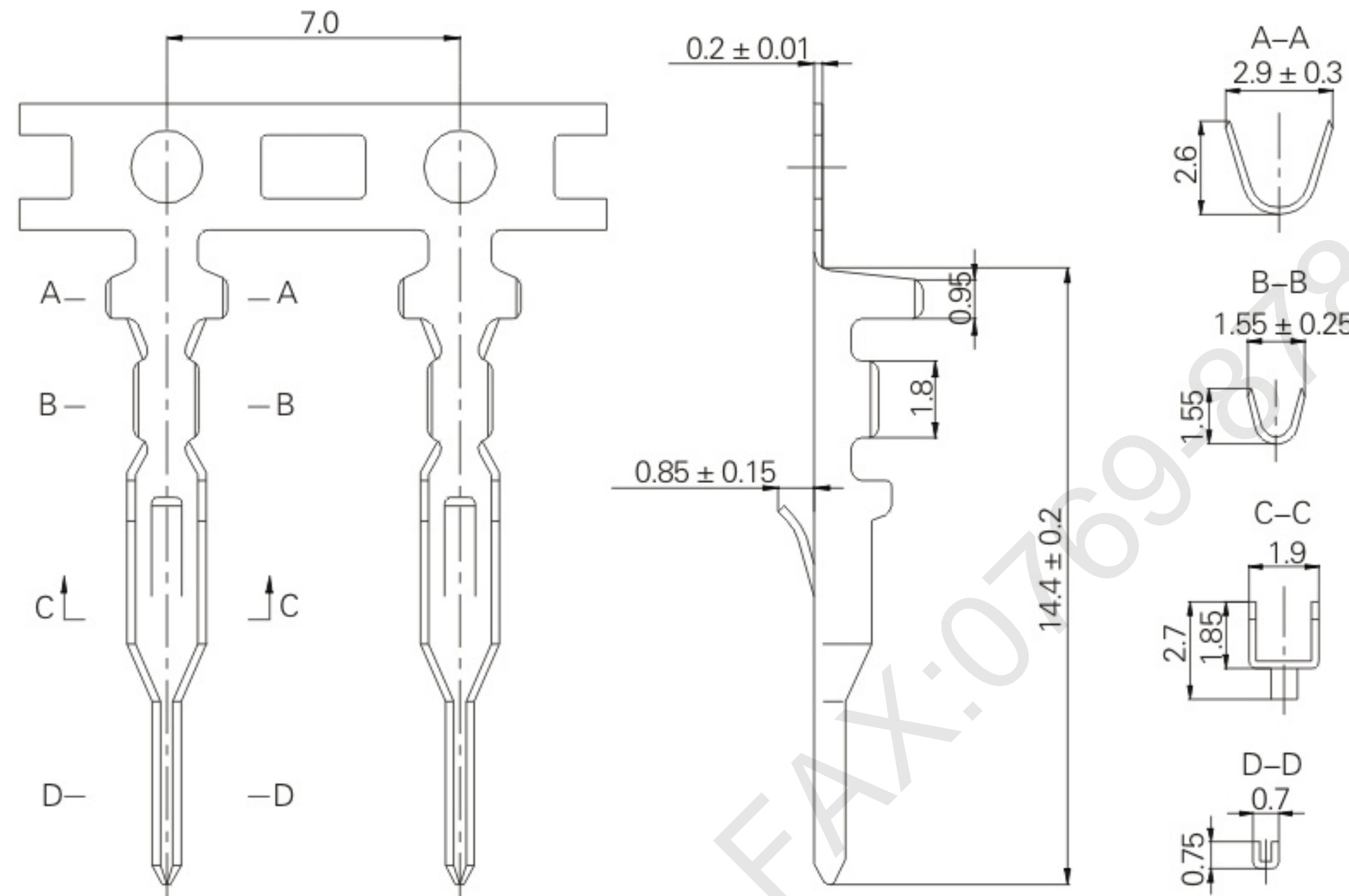
Ordering Information & Dimensions

Part No.	DIM.(mm)		
	A	B	C
2506H-02	2.50	5.70	7.10
2506H-03	5.00	8.20	9.60
2506H-04	7.50	10.70	12.10
2506H-05	10.00	13.20	14.60
2506H-06	12.50	15.70	17.10
2506H-07	15.00	18.20	19.60
2506H-08	17.50	20.70	22.10
2506H-09	20.00	23.20	24.60
2506H-10	22.50	25.70	27.10
2506H-11	25.00	28.20	29.60
2506H-12	27.50	30.70	32.10

2506CT (2.50mm pitch crimp terminal)

Reference Informations:

- *Thickness: 0.2mm
- *Mat'l: Brass Tin Plated
- *Mates with 2506H series Housing



Ordering Information & Specifications

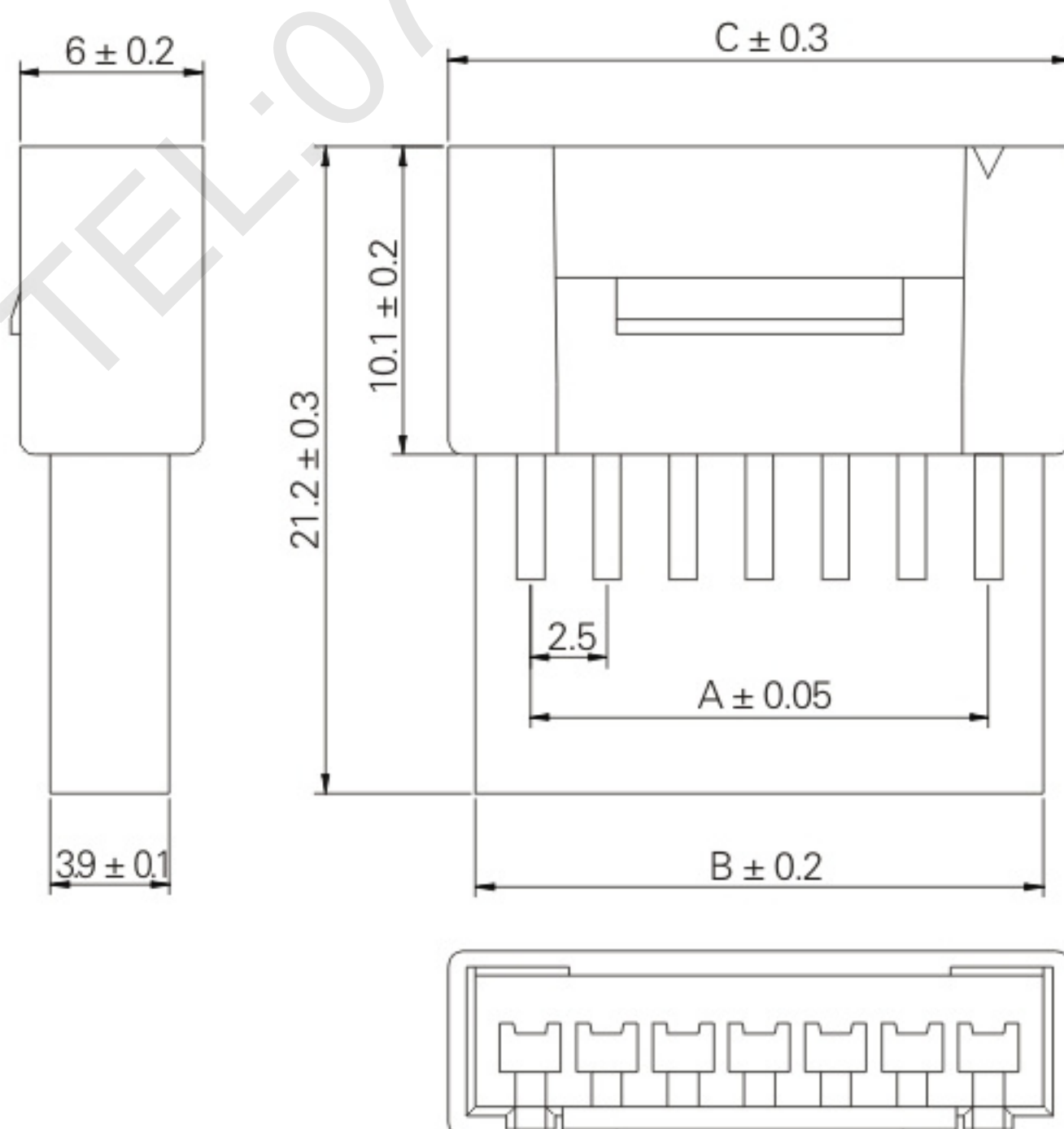
Unit: mm

Part No.	Wire Range	Insulation O.D.	Material	Finish	Qty/reel
2506CT	AWG#22-#28	1.40mm(max)	Phosphor Bronze	Tin-plated	11,000

2506CH (2.50mm pitch crimp housing)

Reference Informations:

- *Mat'l: Nylon 66, UL94V-0
- *Mates with: 2506CT series Terminal
- *Accepts with: 2506CH series Housing



Ordering Information & Dimensions

Part No.	DIM.(mm)		
	A	B	C
2506CH-02	2.5	6.1	7.9
2506CH-03	5.0	8.5	10.4
2506CH-04	7.5	11.1	12.9
2506CH-05	10.0	13.6	15.4
2506CH-06	12.5	16.1	17.9
2506CH-07	15.0	18.6	20.4
2506CH-08	17.5	21.1	22.9
2506CH-09	20.0	23.6	25.4
2506CH-10	22.5	26.1	27.9
2506CH-11	25.0	28.6	30.4
2506CH-12	27.5	31.1	32.9