

## Specifications

Current rating: 3A AC,DC

Voltage rating: 250V AC,DC

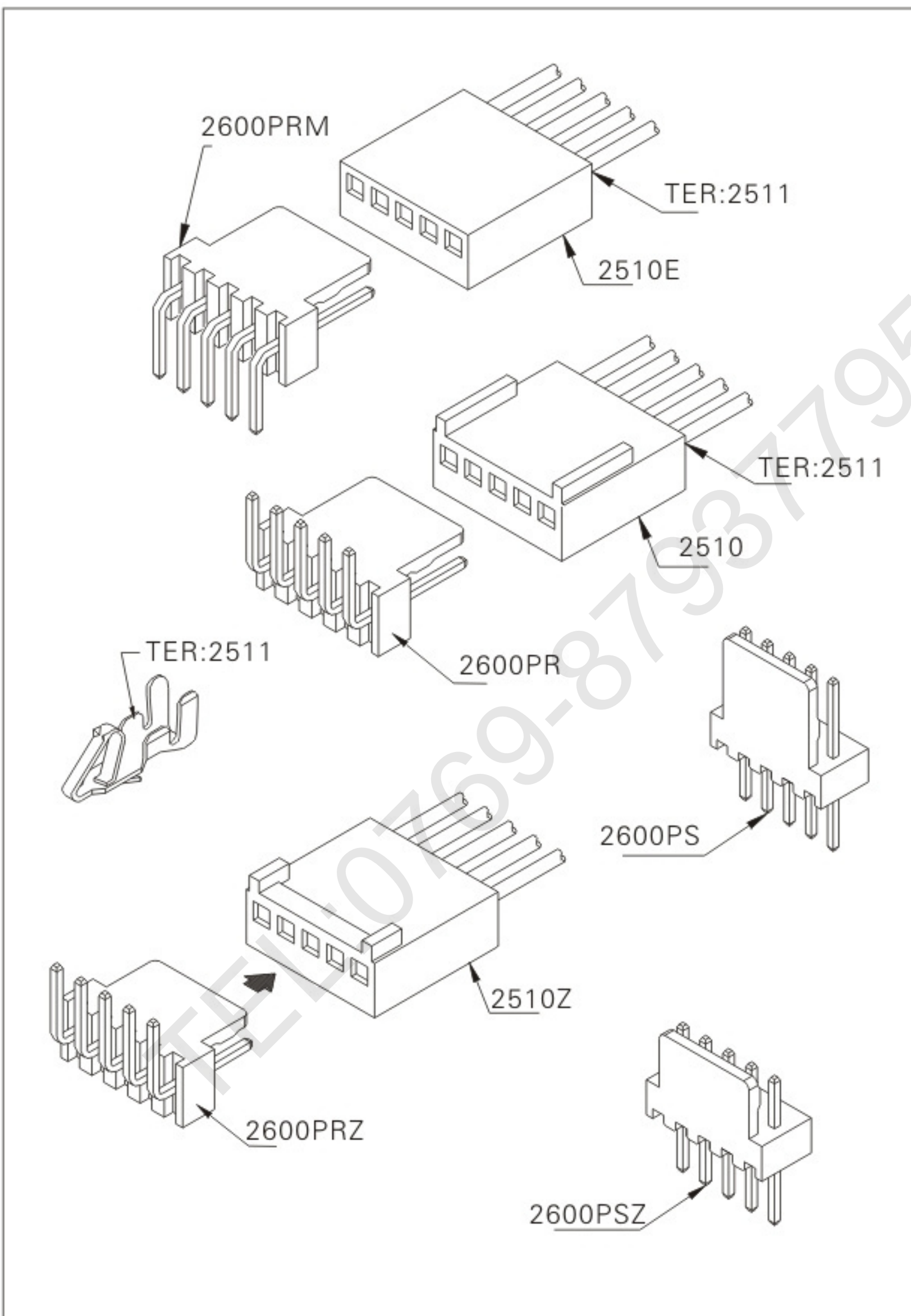
Temperature range: -25°C to + 85°C  
(including temperature rise)

Contact resistance: Initial value/10m Ω Max.  
After environmental testing/20m Ω Max.

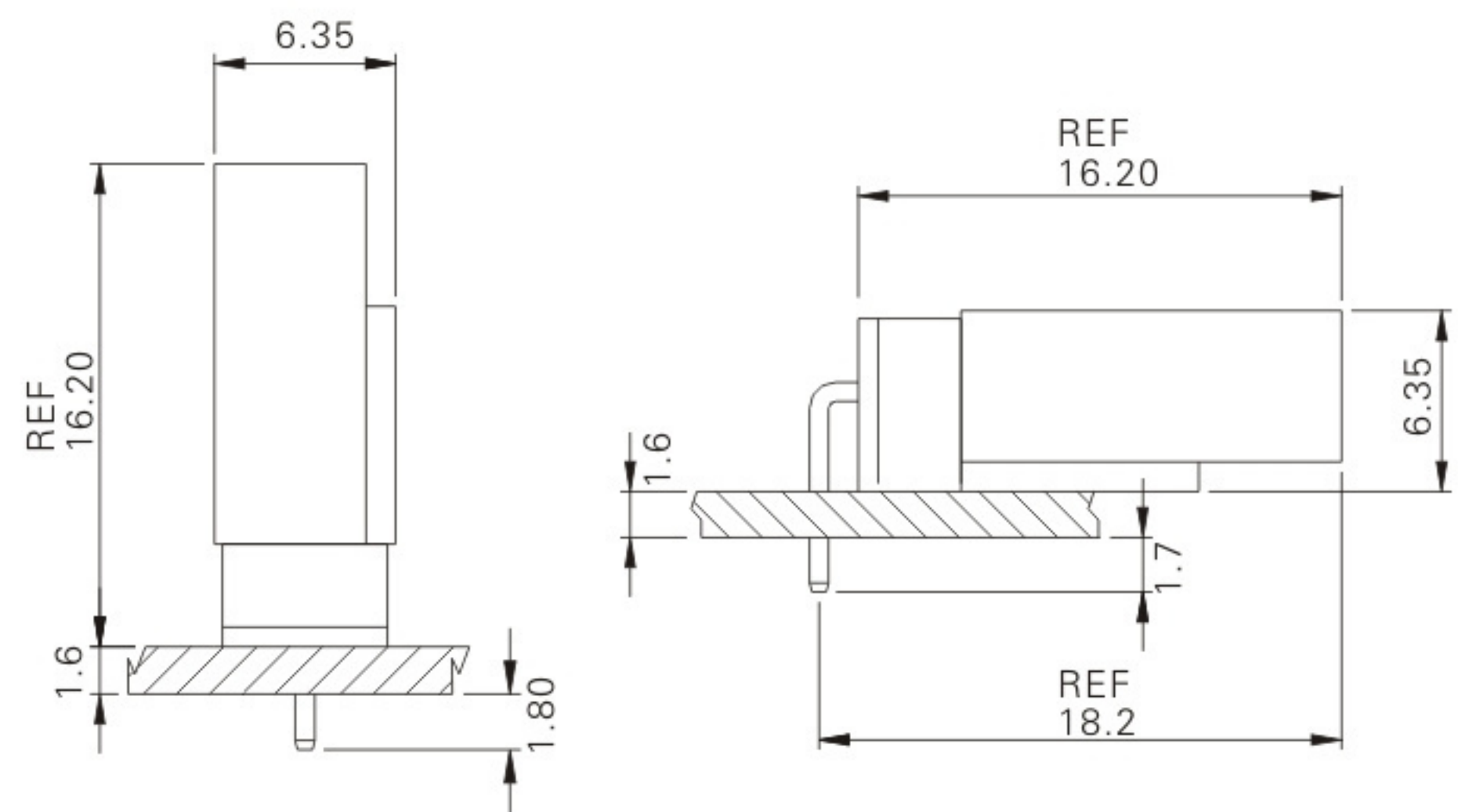
Insulation resistance: 1000 M Ω Min.

Withstanding voltage: 1000V AC/minute

Applicable wire: AWG#22-#28



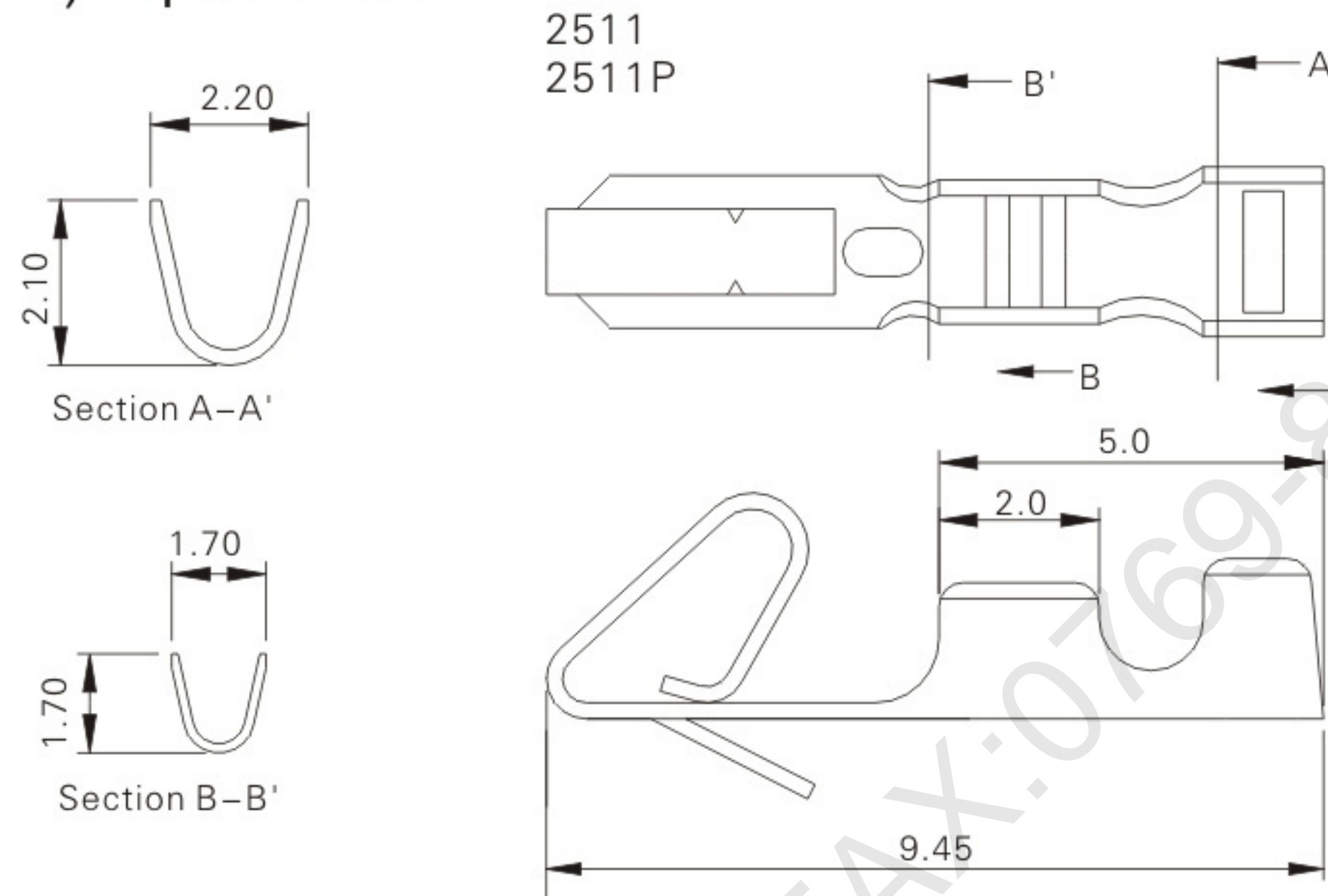
## Assembly layout



# 2511-T (2.54mm pitch crimp terminal)

## Reference Informations:

- \*Thickniess:0.2mm
- \*Mat'l:Phosphor bronze & Brass Tin plated
- \*Mates With:2510 series Housing
- \*Accepts With: 0.64mm(0.25") Square Pin



## Ordering Information & Specifications

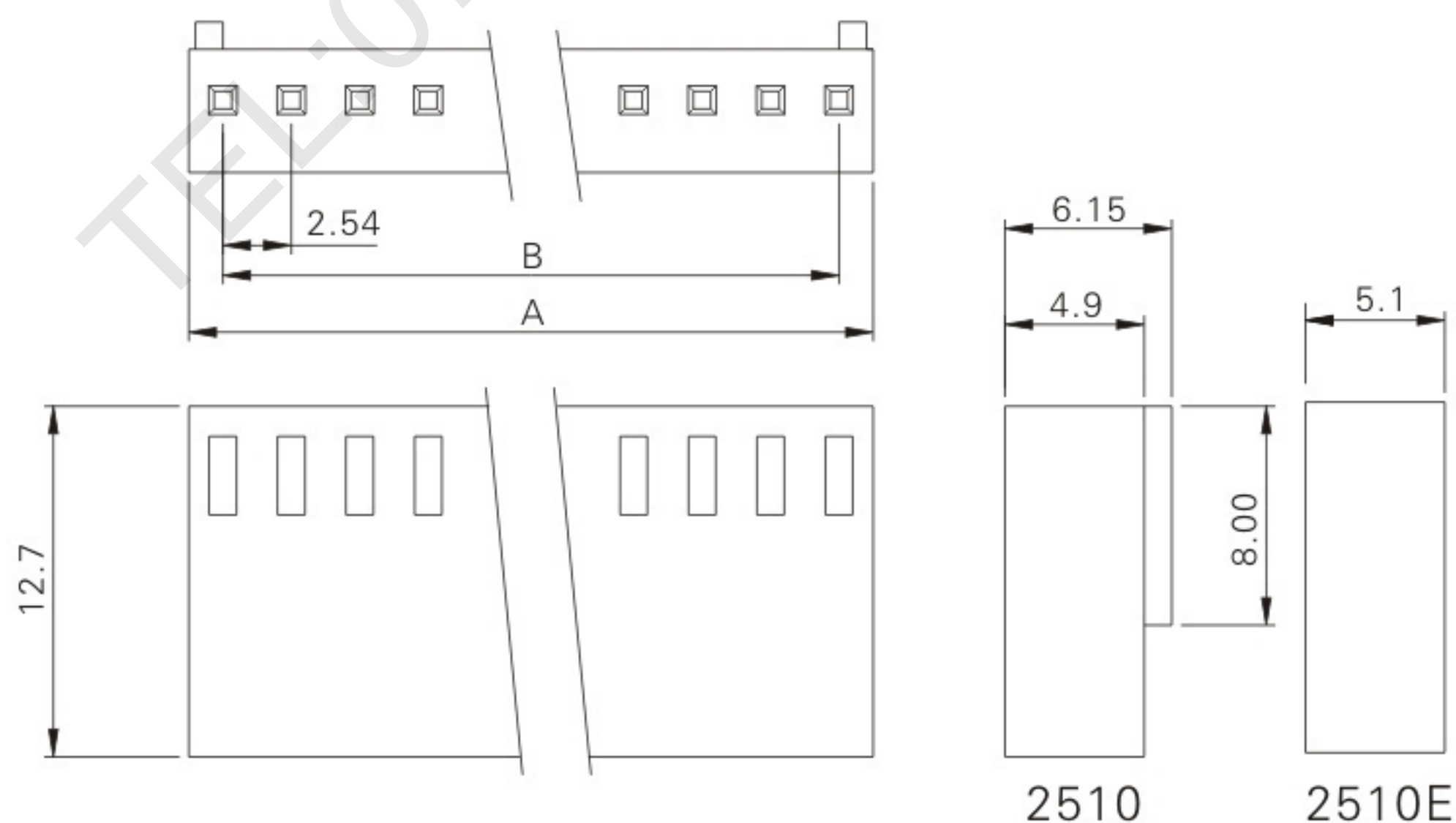
unit:mm

Part No	Wire Range	Insulation O.D.	Material	Finish	Qty/reel
2511	AWG#22-28	1.5mm max	Brass	Tin-plated	10,000
2511-P	AWG#22-28	1.5mm max	Phosphor Bronze	Tin-plated	10,000
S2511	AWG#22-28	1.5mm max	Brass	Tin-plated	10,000

# 2510H/2510H-E-NP (2.54mm pitch crimp housing)

## Reference Informations:

- \*Mat'l: Nylon 66 UL94V-0
- \*Mates With:2511 & S2511 series Terminal
- \*Accepts With: 2600PS & PR or PRM series Wafer



## Ordering Information & Dimensions

Circuits	Part No.	DIM.(mm)	
		A	B
02	2510-02 2510-02E	5.68	2.54
03	2510-03 2510-03E	8.22	5.08
04	2510-04 2510-04E	10.76	7.62
05	2510-05 2510-05E	13.30	10.16
06	2510-06 2510-06E	15.84	12.70
07	2510-07 2510-07E	18.38	15.24
08	2510-08 2510-08E	20.92	17.78
09	2510-09 2510-09E	23.46	20.32
10	2510-10 2510-10E	26.00	22.86
11	2510-11 2510-11E	28.54	25.40
12	2510-12 2510-12E	31.08	27.94
13	2510-13 2510-13E	33.62	30.48
14	2510-14 2510-14E	36.16	33.02
15	2510-15 2510-15E	38.70	35.56
16	2510-16 2510-16E	41.24	38.10
17	2510-17 2510-17E	43.78	40.64
18	2510-18 2510-18E	46.32	43.18
19	2510-19 2510-19E	48.86	45.72
20	2510-20 2510-20E	51.40	48.28

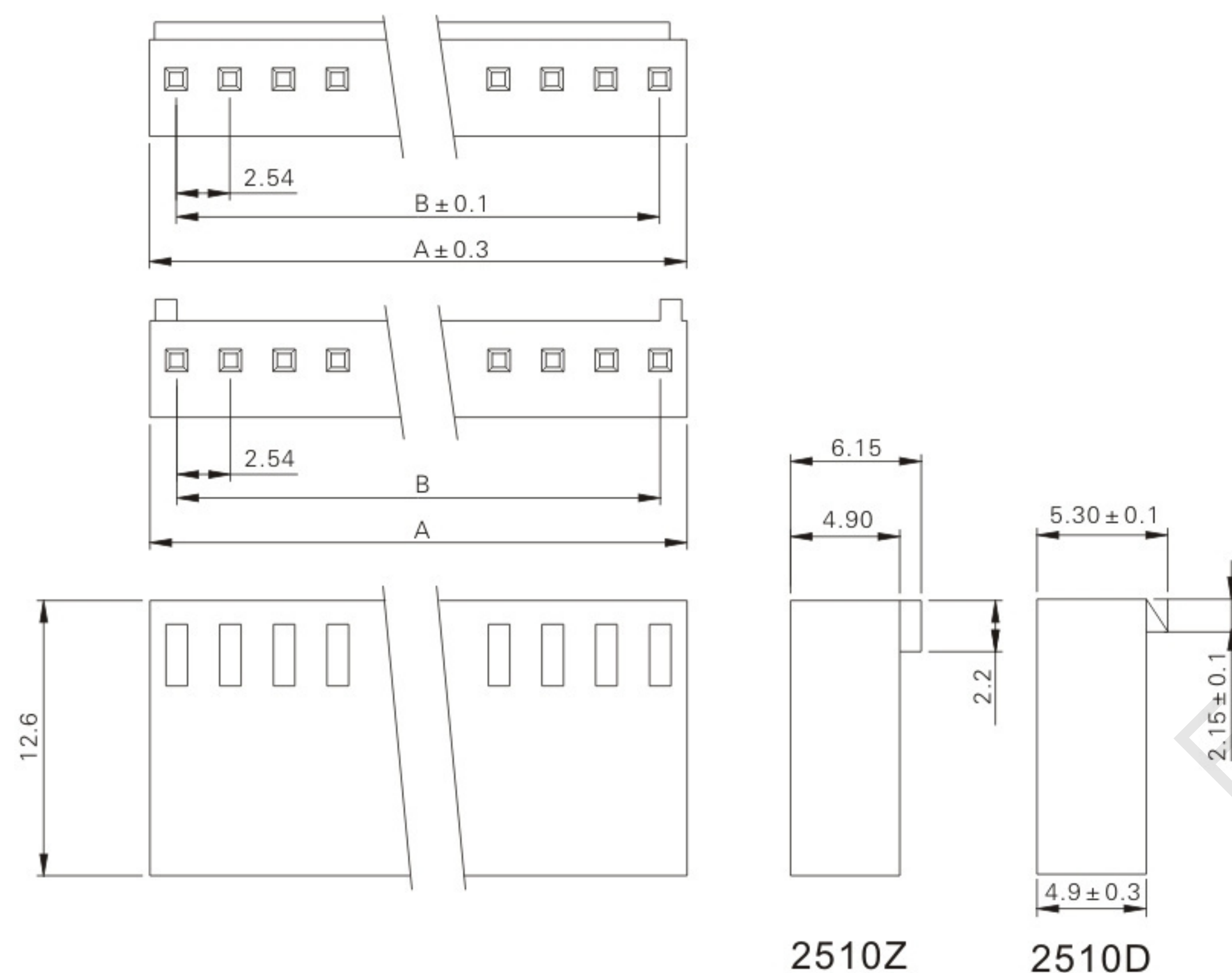
## 2510Z/2510D (2.54mm pitch crimp housing)

### Reference Informations:

\*Mat'l: nylon 66 UL94V-2

\*Mates With: 2511 & S2511 series Terminal

\*Accepts With: 2600PSZ 2600PRZ series Wafer



### Ordering Information & Dimensions

Circuits	Part No.	DIM.(mm)	
		A	B
02	2510-02Z 2510-02D	5.68	2.54
03	2510-03Z 2510-03D	8.22	5.08
04	2510-04Z 2510-04D	10.76	7.62
05	2510-05Z 2510-05D	13.30	10.16
06	2510-06Z 2510-06D	15.84	12.70
07	2510-07Z 2510-07D	18.38	15.24
08	2510-08Z 2510-08D	20.92	17.78
09	2510-09Z 2510-09D	23.46	20.32
10	2510-10Z 2510-10D	26.00	22.86
11	2510-11Z 2510-11D	28.54	25.40
12	2510-12Z 2510-12D	31.08	27.94

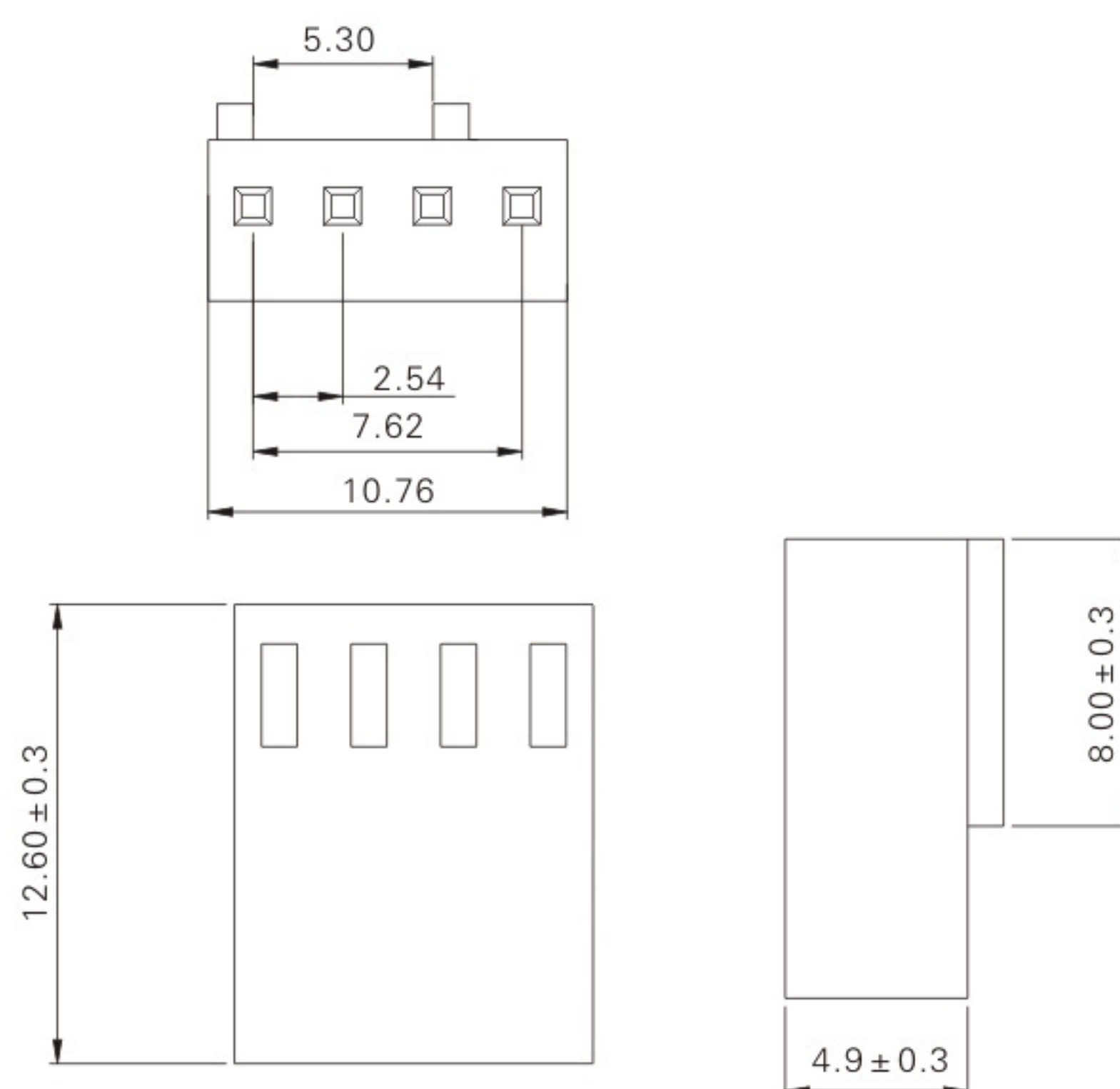
## 2510-04-03 (2.54mm pitch crimp housing)

### Reference Informations:

\*Mat'l: Nylon 66 UL94V-0 or 94V-2

\*Mates With: 2511 series Terminal

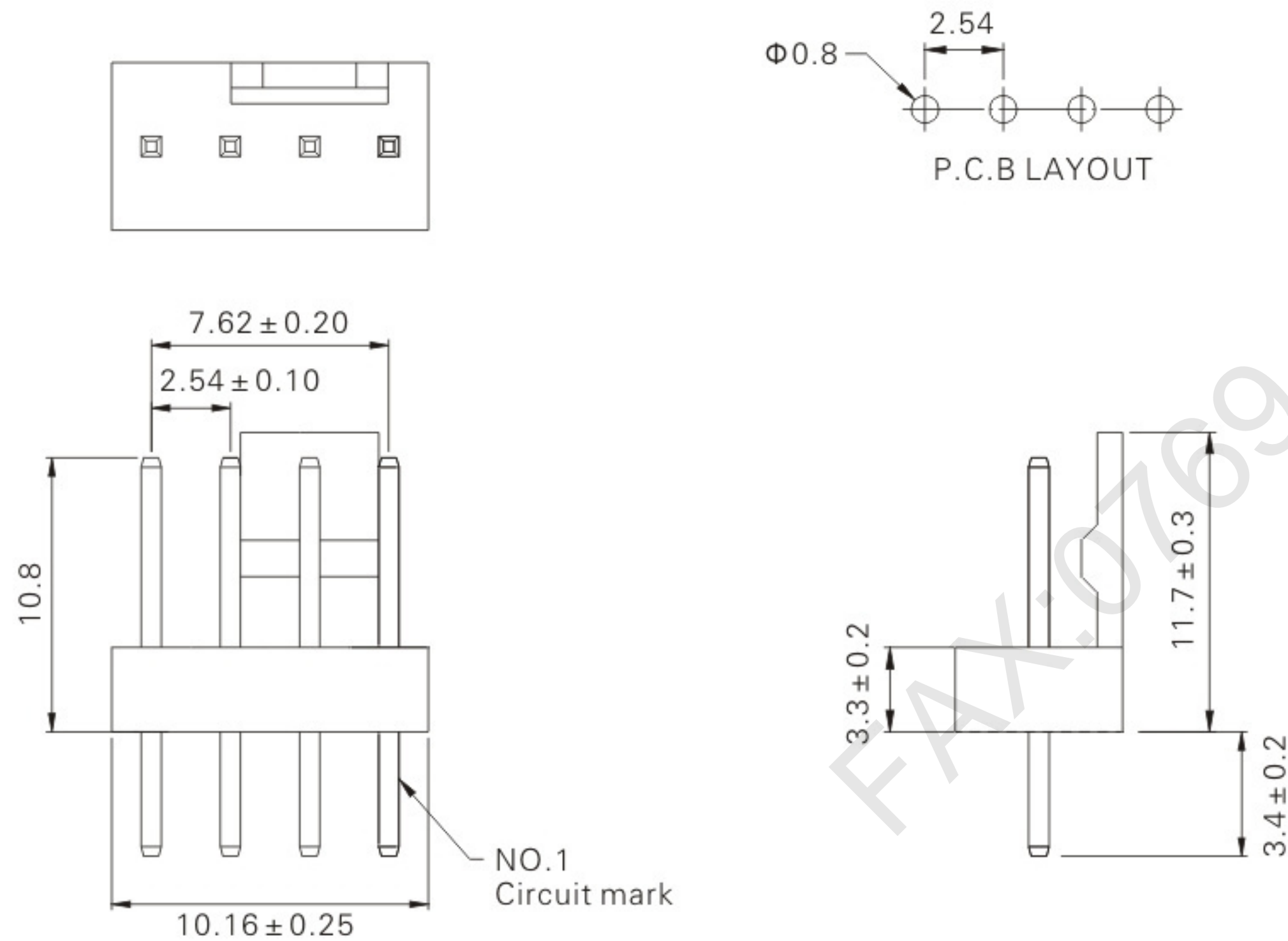
\*Accepts With: 2600PS /PR or PRM series Wafer



# 2600PS-04-03 (2.54mm pitch 180° wafer)

## Reference Informations:

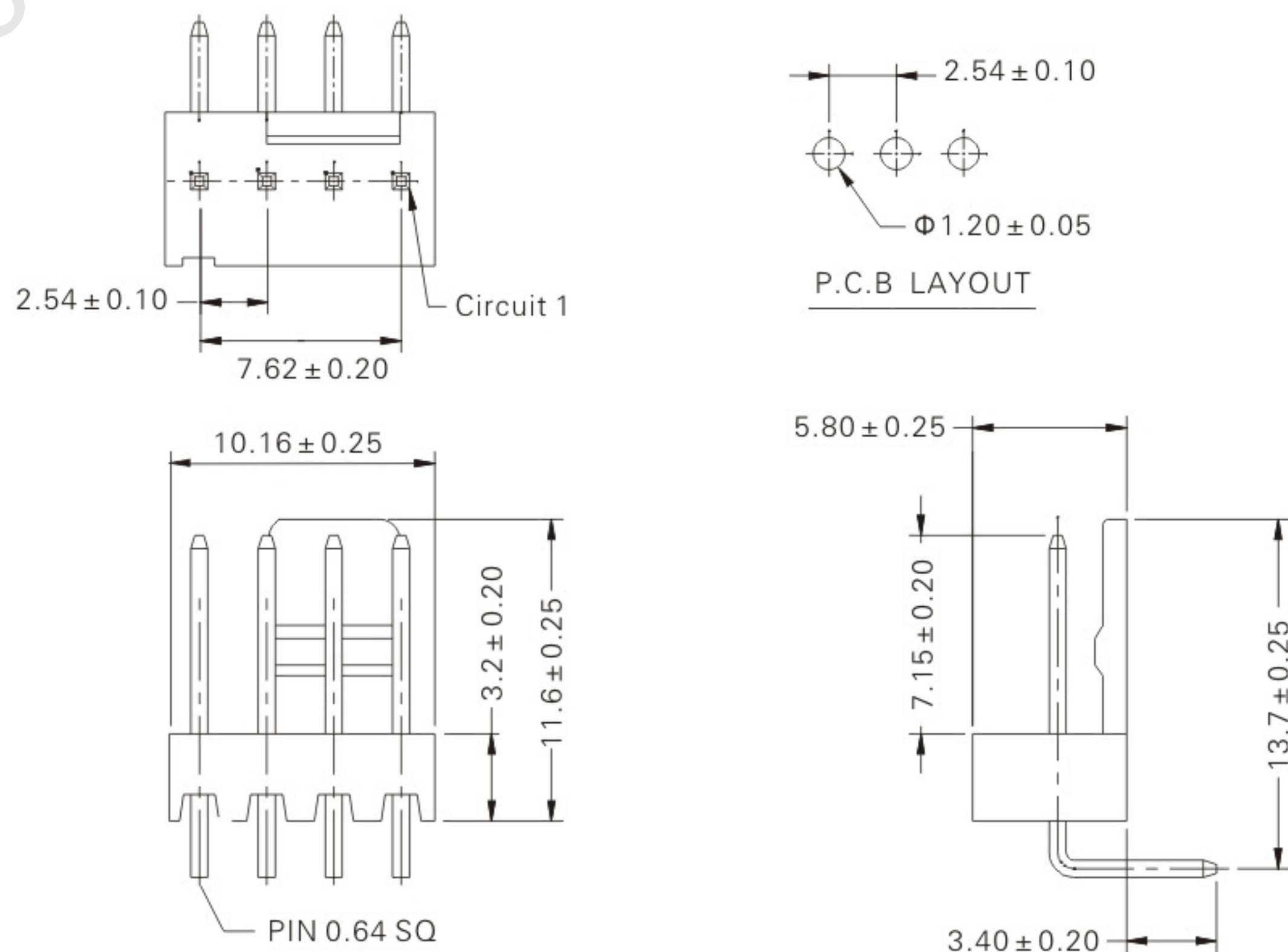
- \*Mat'l:Body: Nylon 66 UL94V-2  
Pins:Brass Tin plated
- \*Mates With: 2511 series Terminal
- \*Accepts With: 2510H 2510H-E series Housing



# 2600PR-04-03 (2.54mm pitch 90° wafer)

## Reference Informations:

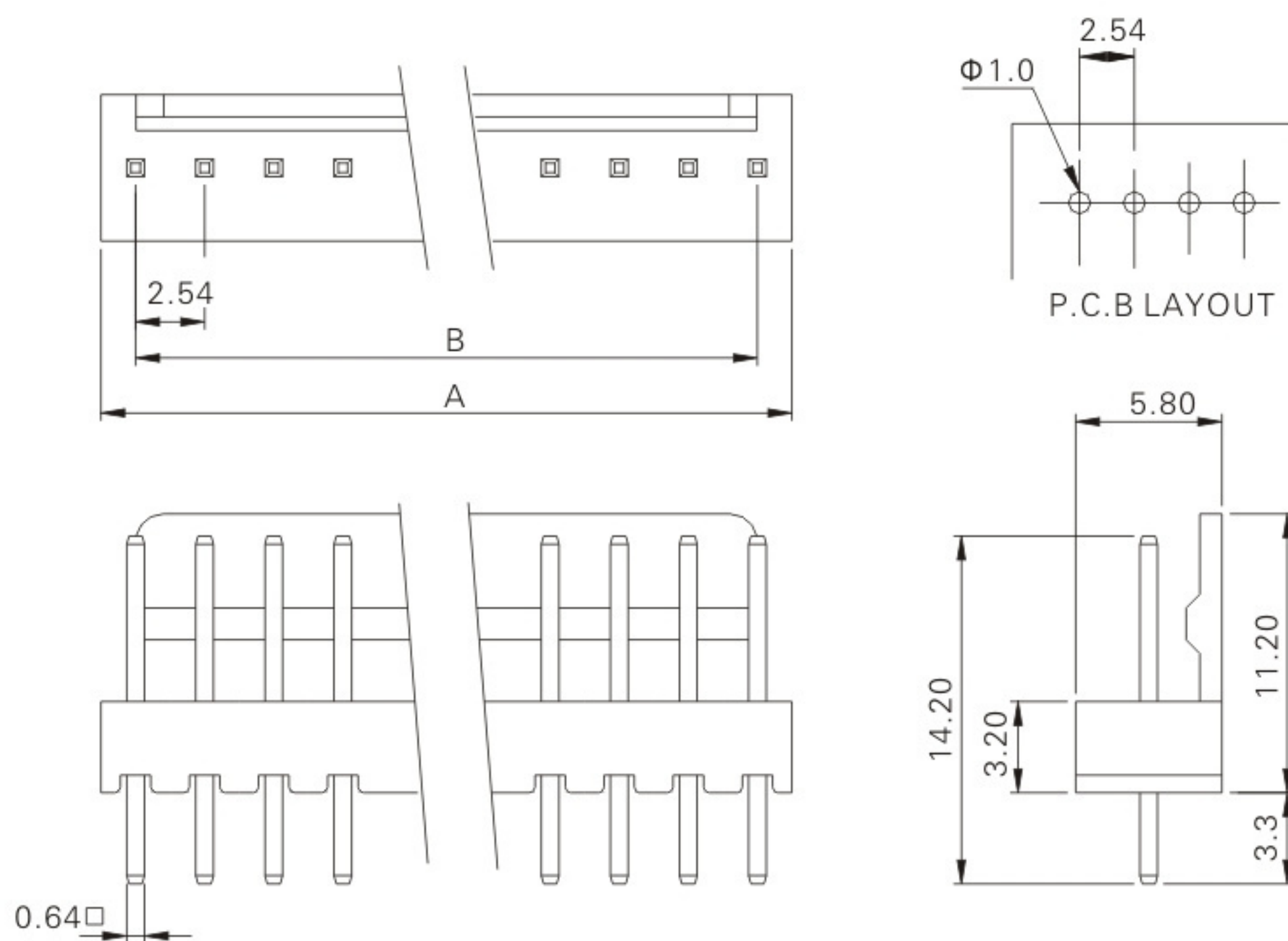
- \*Mat'l:Body: Nylon 66 UL94V-2  
Pins:Brass Tin plated
- \*Mates With: 2511 series Terminal
- \*Accepts With: 2510H 2510H-E series Housing



## 2600PS-NP (2.54mm pitch 180° wafer)

### Reference Informations:

- \*Mat'l:Body: Nylon 66 UL94V-2
- Pins: Brass Tin plated
- \*Mates With: 2511 series Terminal
- \*Accepts With: 2510 series Housing



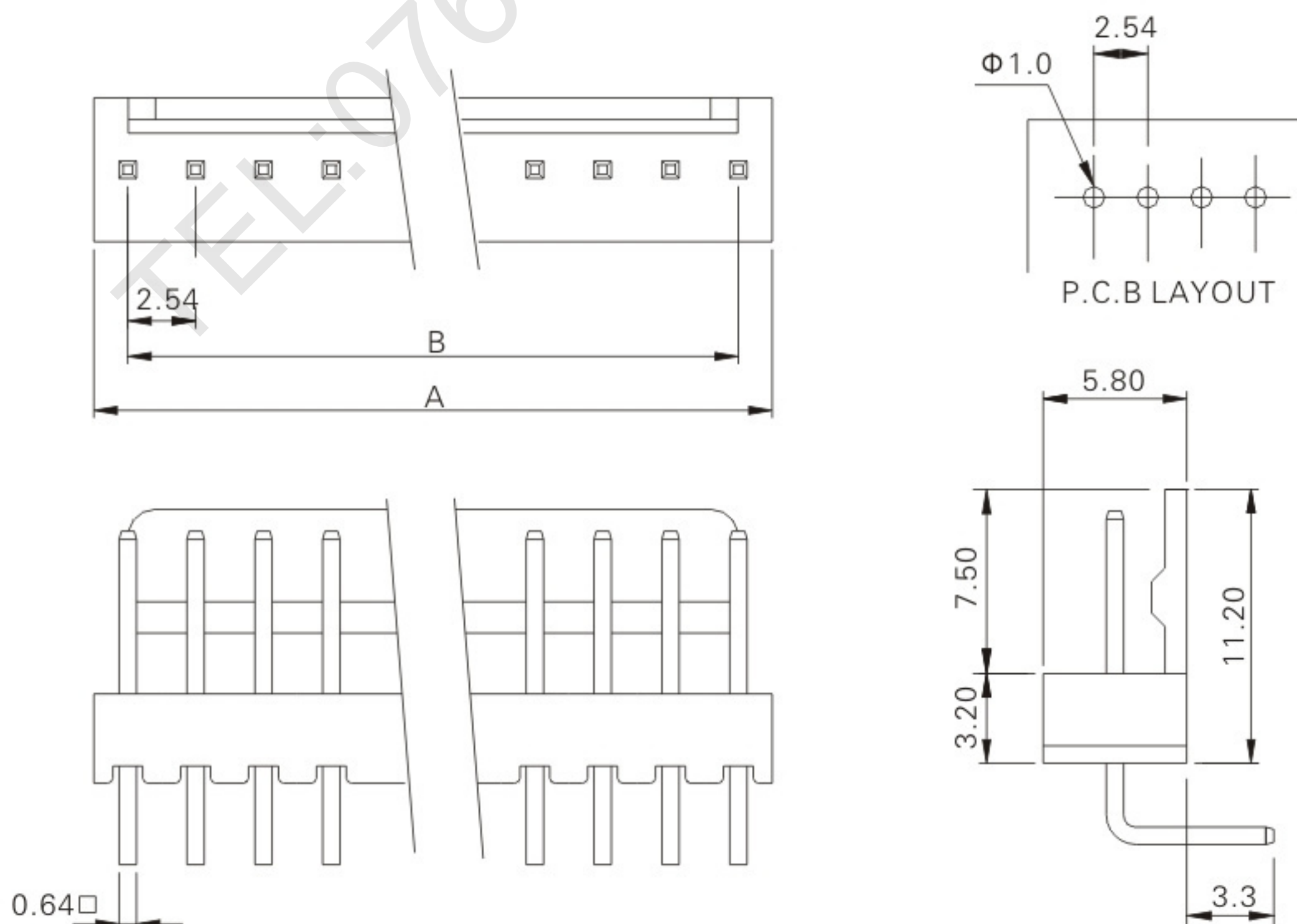
### Ordering Information & Dimensions

Circuits	Part No.	DIM.(mm)	
		A	B
02	2600PS-02P	5.08	2.54
03	2600PS-03P	7.62	5.08
04	2600PS-04P	10.16	7.62
05	2600PS-05P	12.70	10.16
06	2600PS-06P	15.24	12.70
07	2600PS-07P	17.78	15.24
08	2600PS-08P	20.32	17.78
09	2600PS-09P	22.86	20.32
10	2600PS-10P	25.40	22.86
11	2600PS-11P	27.94	25.40
12	2600PS-12P	30.48	27.94
13	2600PS-13P	33.02	30.48
14	2600PS-14P	35.56	33.02
15	2600PS-15P	38.10	35.56
16	2600PS-16P	40.64	38.10
17	2600PS-17P	43.18	40.64
18	2600PS-18P	45.72	43.18
19	2600PS-19P	48.28	45.72
20	2600PS-20P	50.80	48.28

## 2600PR-NP (2.54mm pitch 90° wafer)

### Reference Informations:

- \*Mat'l:Body: Nylon 66 UL94V-2
- Pins:Brass Tin plated
- \*Mates With: 2511 series Terminal
- \*Accepts With: 2510 series Housing



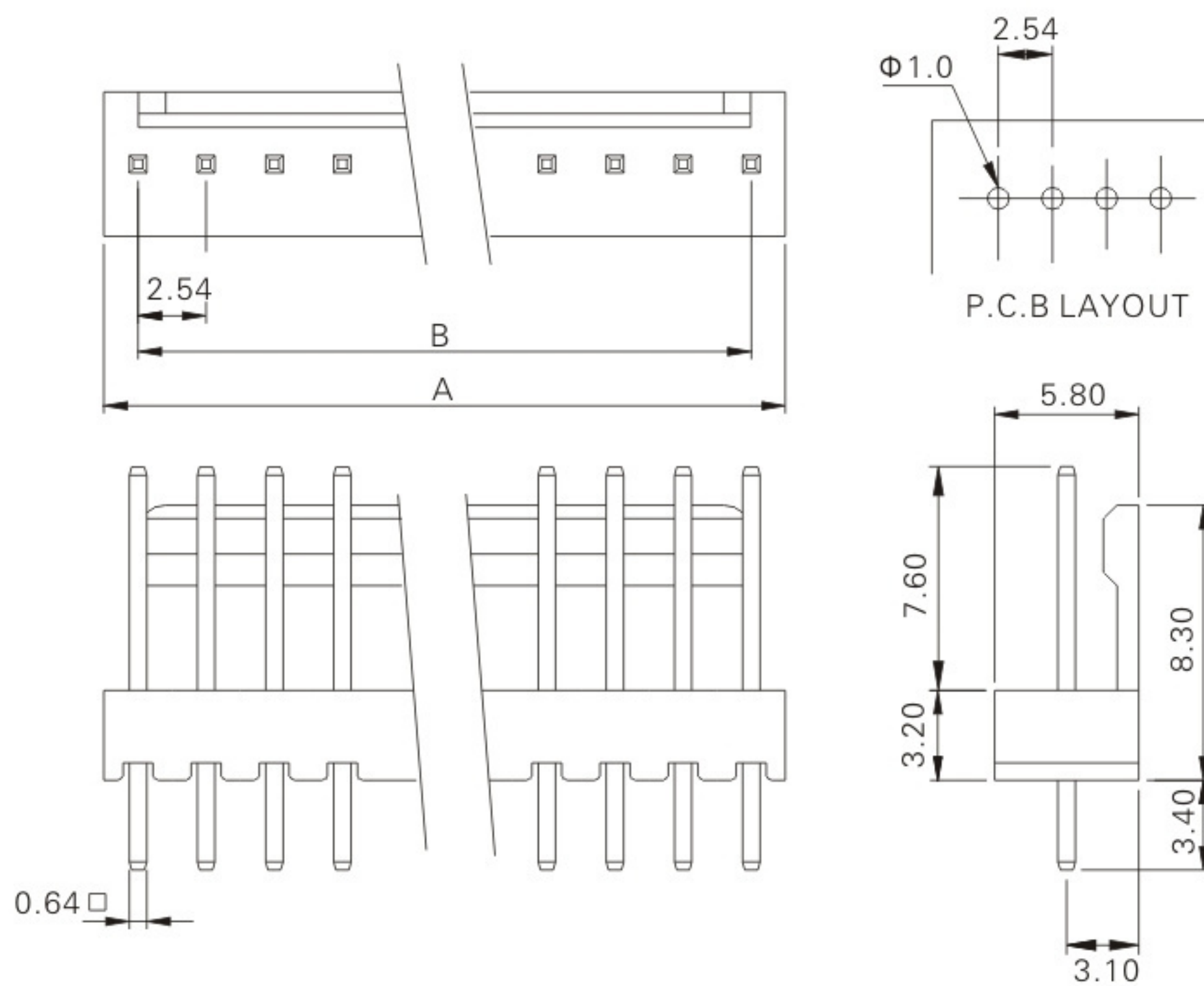
### Ordering Information & Dimensions

Circuits	Part No.	DIM.(mm)	
		A	B
02	2600PR-02P	5.08	2.54
03	2600PR-03P	7.62	5.08
04	2600PR-04P	10.16	7.62
05	2600PR-05P	12.70	10.16
06	2600PR-06P	15.24	12.70
07	2600PR-07P	17.78	15.24
08	2600PR-08P	20.32	17.78
09	2600PR-09P	22.86	20.32
10	2600PR-10P	25.40	22.86
11	2600PR-11P	27.94	25.40
12	2600PR-12P	30.48	27.94
13	2600PR-13P	33.02	30.48
14	2600PR-14P	35.56	33.02
15	2600PR-15P	38.10	35.56
16	2600PR-16P	40.64	38.10
17	2600PR-17P	43.18	40.64
18	2600PR-18P	45.72	43.18
19	2600PR-19P	48.28	45.72
20	2600PR-20P	50.80	48.28

## 2600PSZ (2.54mm pitch 180° wafer)

### Reference Informations:

- \*Mat'l: Body: Nylon 66 UL94V-2
- \*Pins: Brass Tin Plated
- \*Mates With: 2511 series Terminal
- \*Accepts With: 2510Z series Housing



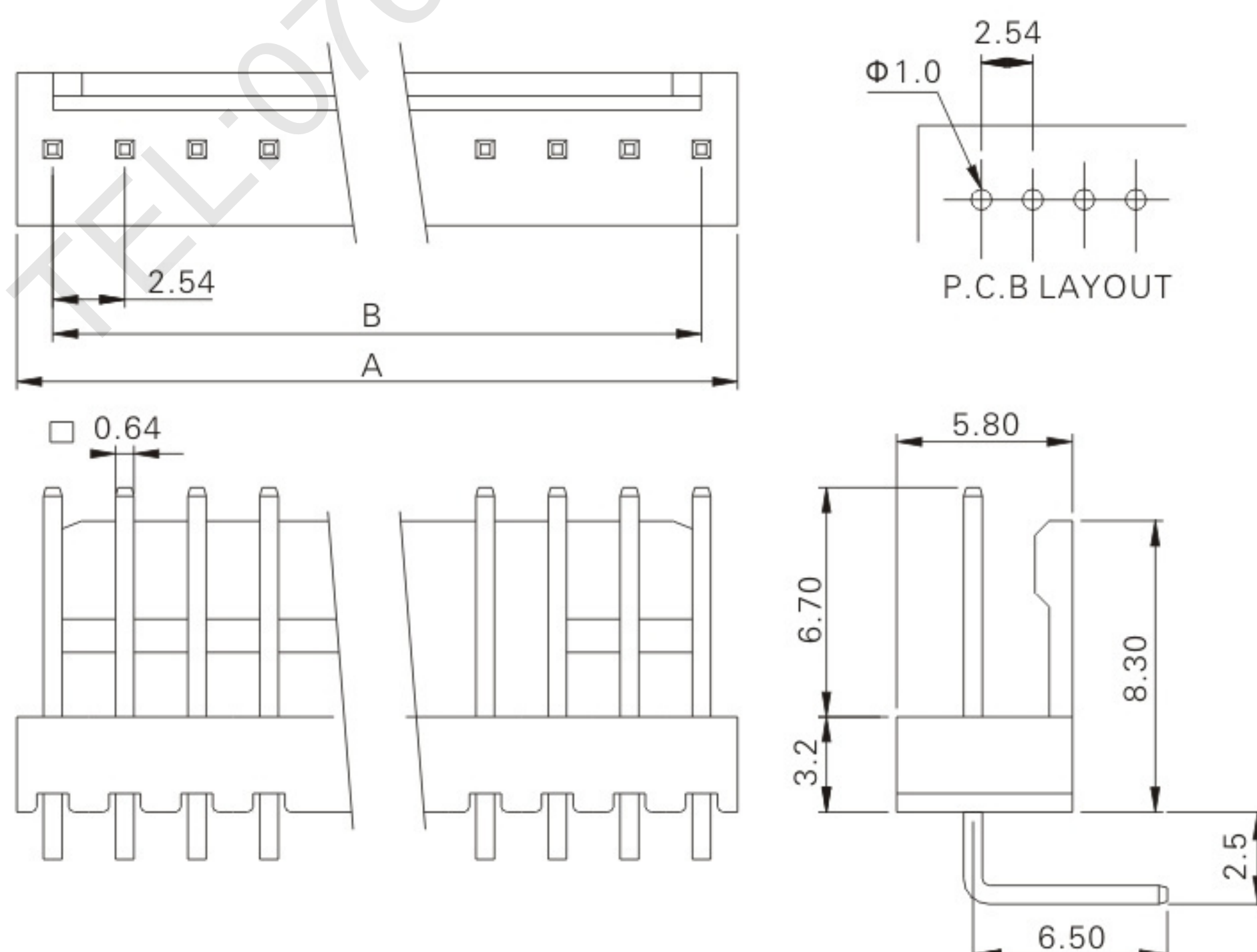
### Ordering Information & Dimensions

Circuits	Part No.	DIM.(mm)	
		A	B
02	2510PSZ-02	5.08	2.54
03	2510PSZ-03	7.62	5.08
04	2510PSZ-04	10.16	7.62
05	2510PSZ-05	12.70	10.16
06	2510PSZ-06	15.24	12.70
07	2510PSZ-07	17.78	15.24
08	2510PSZ-08	20.32	17.78
09	2510PSZ-09	22.86	20.32
10	2510PSZ-10	25.40	22.86
11	2510PSZ-11	27.94	25.40
12	2510PSZ-12	30.48	27.94

## 2600PRZ (2.54mm pitch 90° wafer)

### Reference Informations:

- \*Mat'l: Body: Nylon 66 UL94V-2
- \*Pins: Brass Tin Plated
- \*Mates With: 2511 series Terminal
- \*Accepts With: 2510Z series Housing



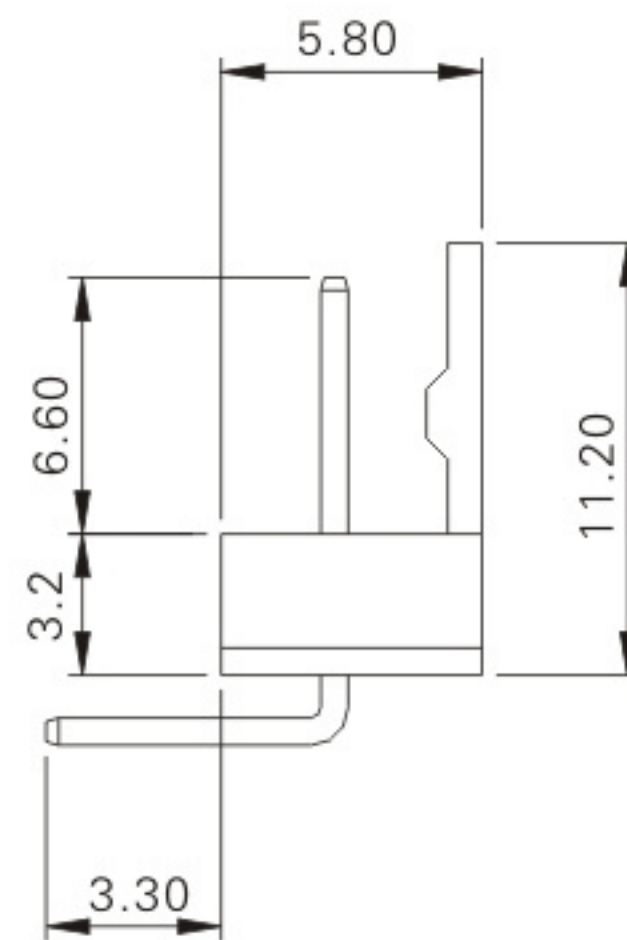
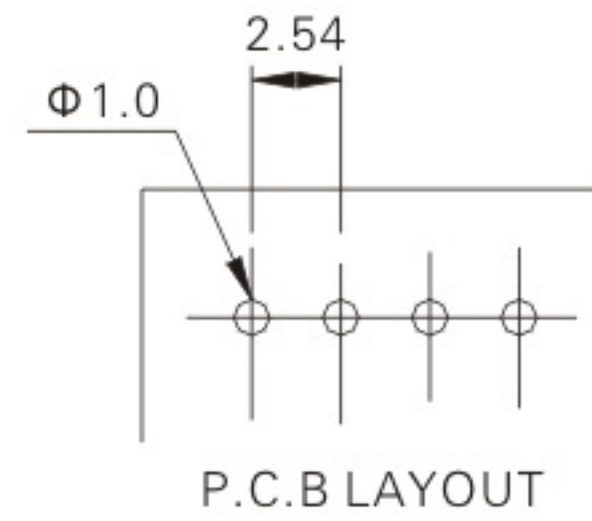
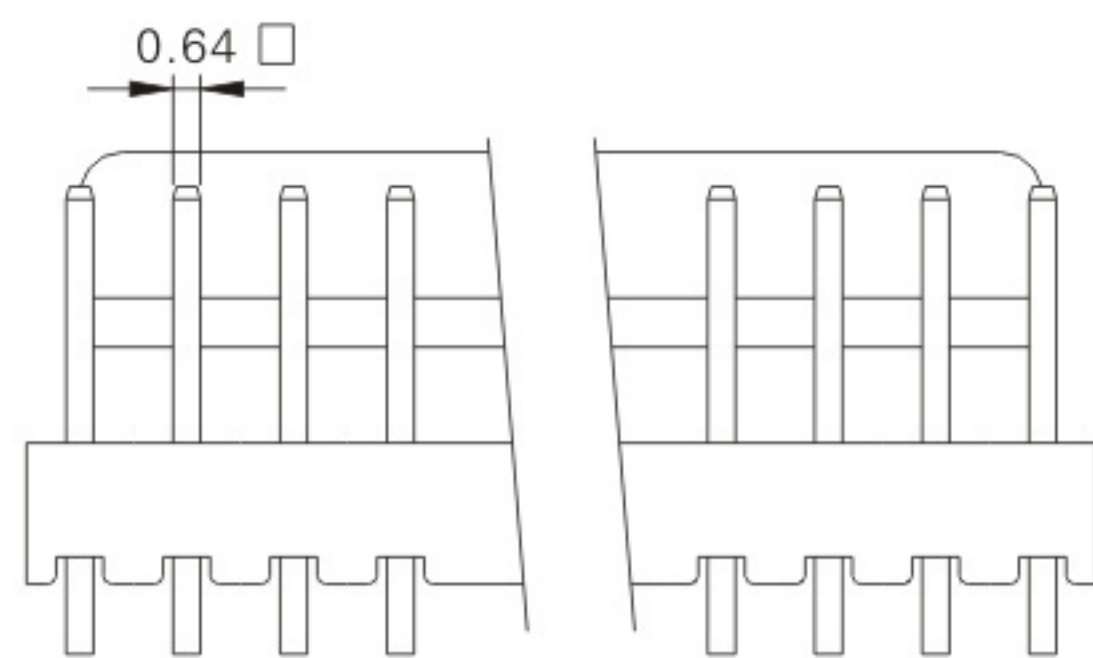
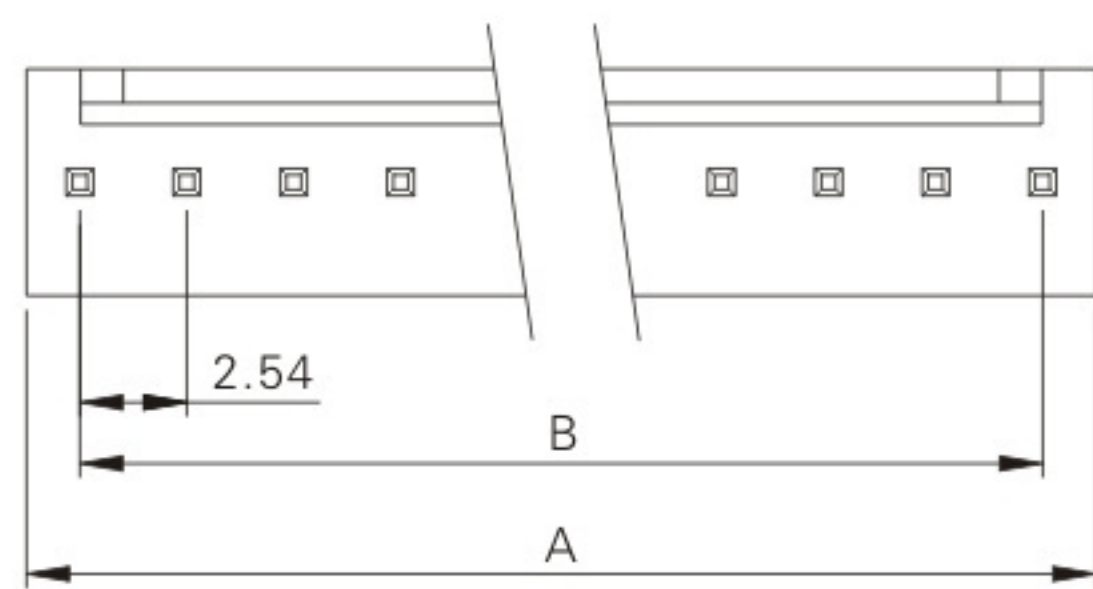
### Ordering Information & Dimensions

Circuits	Part No.	DIM.(mm)	
		A	B
02	2600PRZ-02	5.08	2.54
03	2510PRZ-03	7.62	5.08
04	2600PRZ-04	10.16	7.62
05	2600PRZ-05	12.70	10.16
06	2600PRZ-06	15.24	12.70
07	2600PRZ-07	17.78	15.24
08	2600PRZ-08	20.32	17.78
09	2600PRZ-09	22.86	20.32
10	2600PRZ-10	25.40	22.86
11	2600PRZ-11	27.94	25.40
12	2600PRZ-12	30.48	27.94

# 2600PRM-NP (2.54mm pitch 90° wafer)

## Reference Informations:

- \*Mat'l: Body: Nylon 66 UL94V-2
- \*Pins: Brass Tin Plated
- \*Mates With: 2511 series Terminal
- \*Accepts With: 2510 series Housing



## Ordering Information & Dimensions

Circuits	Part No.	DIM.(mm)	
		A	B
02	2600PRM-02P	5.08	2.54
03	2600PRM-03P	7.62	5.08
04	2600PRM-04P	10.16	7.62
05	2600PRM-05P	12.70	10.16
06	2600PRM-06P	15.24	12.70
07	2600PRM-07P	17.78	15.24
08	2600PRM-08P	20.32	17.78
09	2600PRM-09P	22.86	20.32
10	2600PRM-10P	25.40	22.86
11	2600PRM-11P	27.94	25.40
12	2600PRM-12P	30.48	27.94
13	2600PRM-13P	33.02	30.48
14	2600PRM-14P	35.56	33.02
15	2600PRM-15P	38.10	35.56
16	2600PRM-16P	40.64	38.10
17	2600PRM-17P	43.18	40.64
18	2600PRM-18P	45.72	43.18
19	2600PRM-19P	48.28	45.72
20	2600PRM-20P	50.80	48.28

TEL:0769-87937795