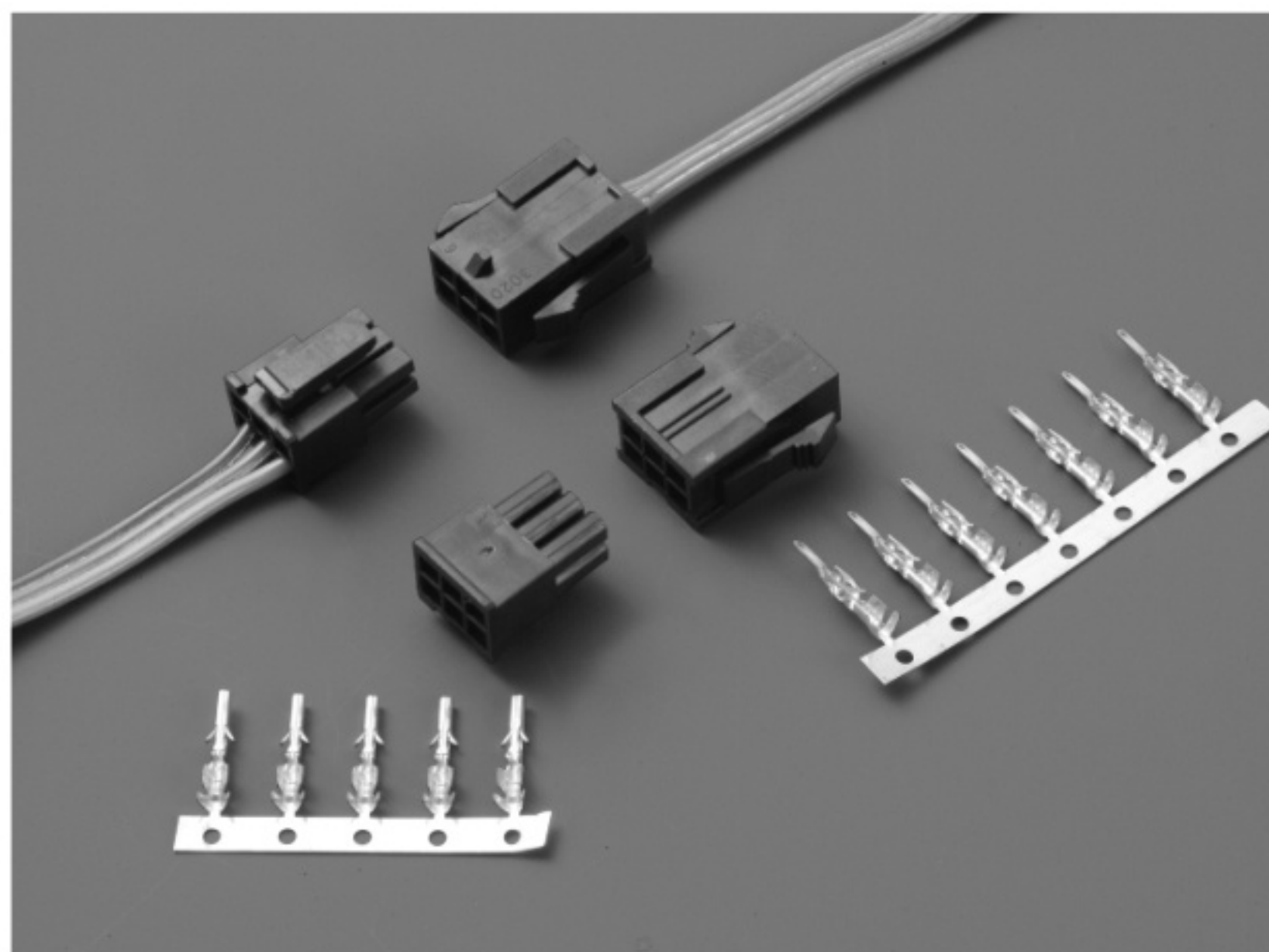


3015H/3016H SERIES

3.00mm PITCH WIRE TO WIRE CONNECTOR



Specifications

Current rating: 5A AC,DC

Voltage rating: 250V AC,DC

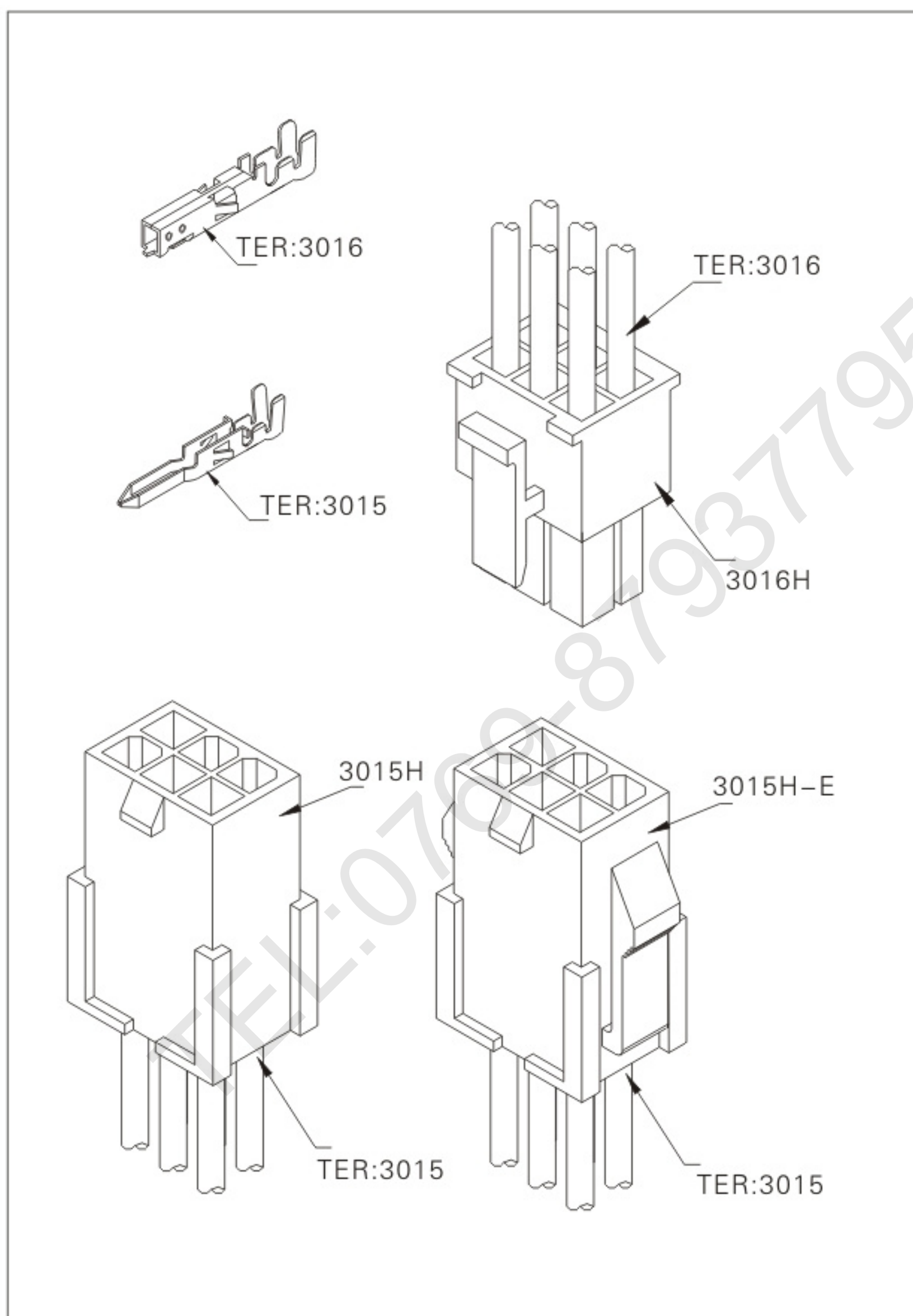
Temperature range: -25°C to +85°C
(including temperature rise)

Contact resistance: Initial value/ 10m Ω Max.
After environmental testing/20m Ω Max.

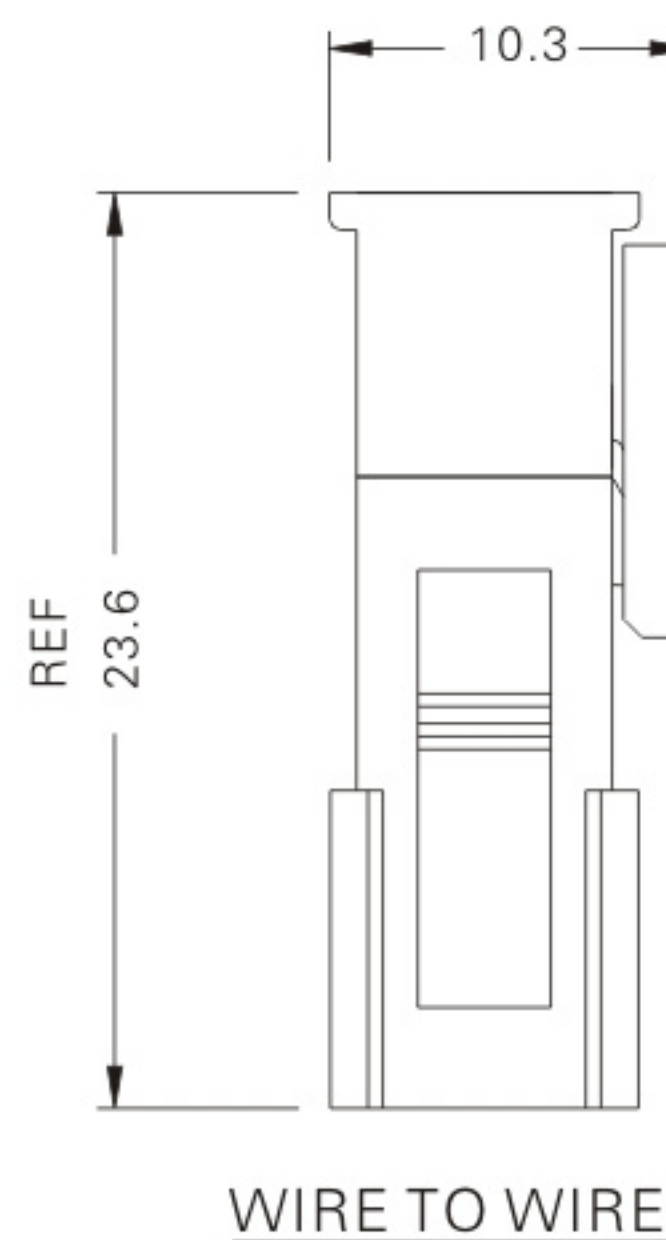
Insulation resistance: 1000M Ω Min.

Withstanding voltage: 1500V AC/minute

Applicable wire: AWG#20-#24



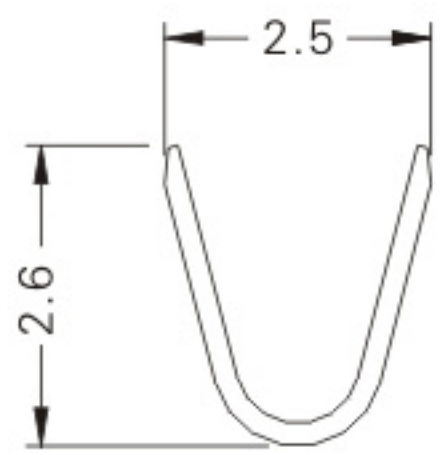
Assembly layout



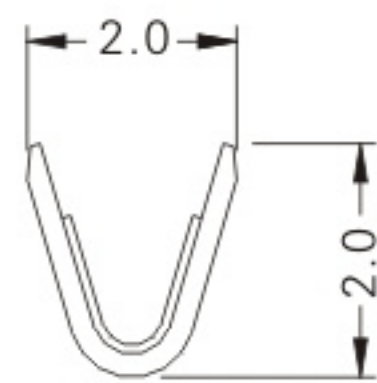
3015-T (3.00mm crimp terminal)

Reference Informations:

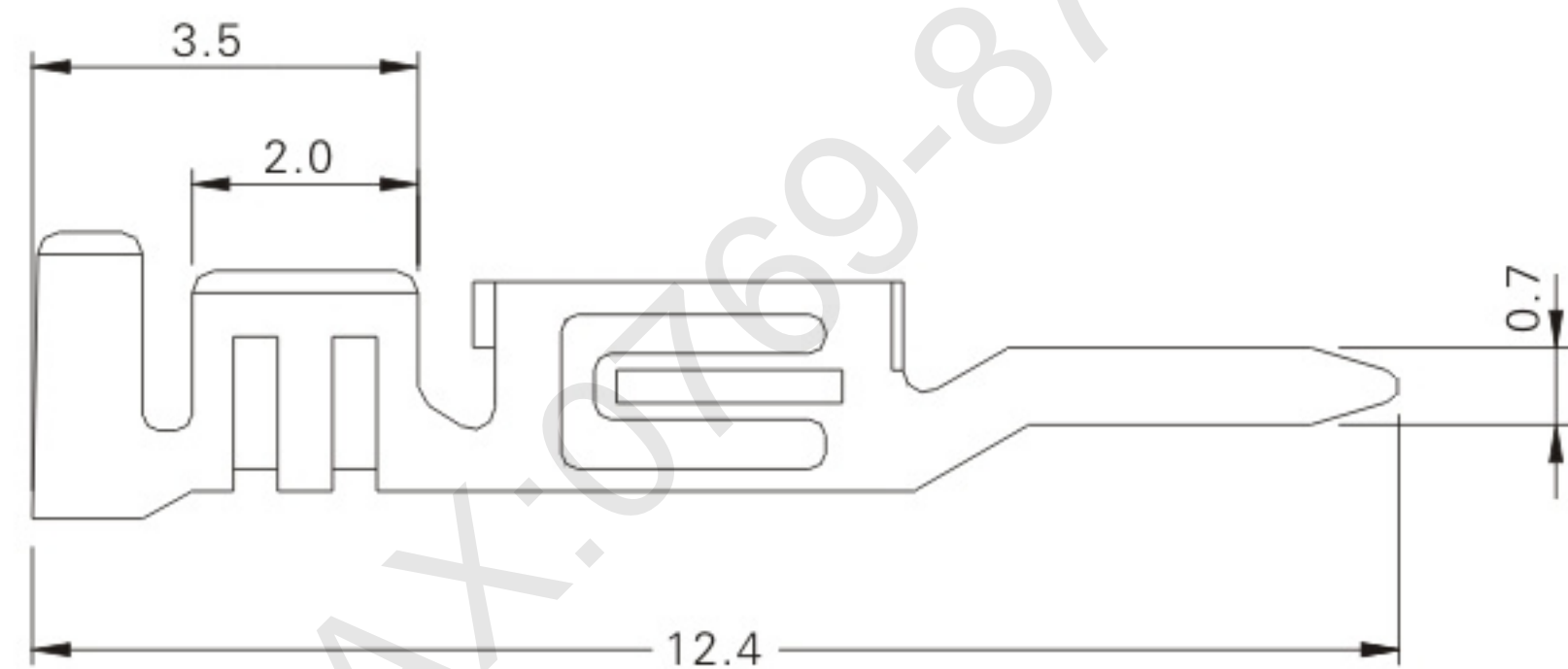
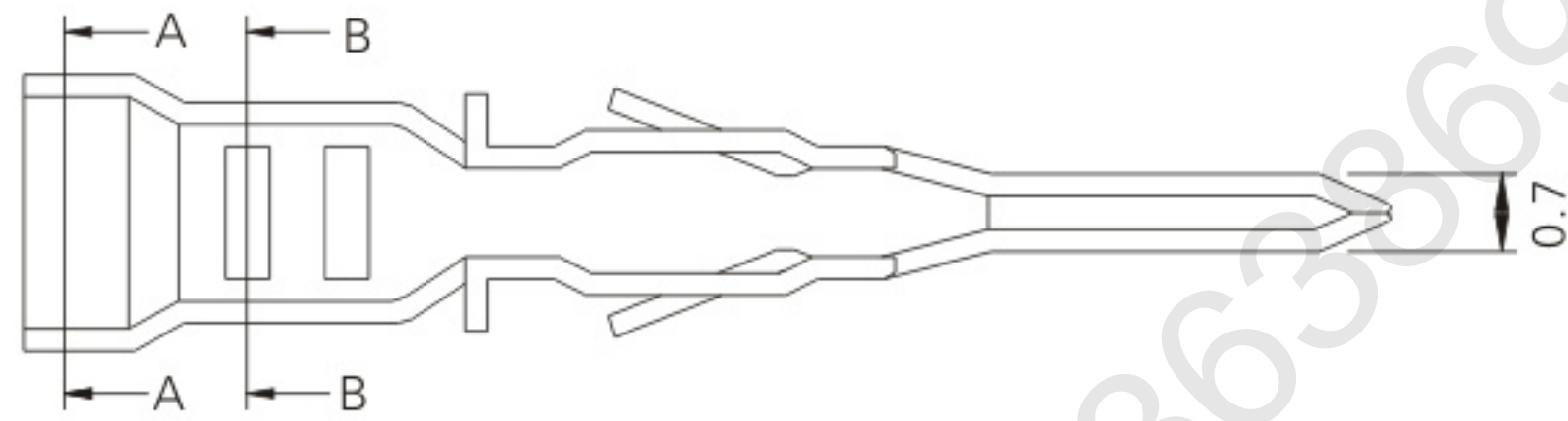
- *Thickness: 0.2mm
- *Mates With: 3015H Series Housing
- *Accepts With: 3016P Terminal



Section A-A'



Section B-B'



Ordering Information & Specifications

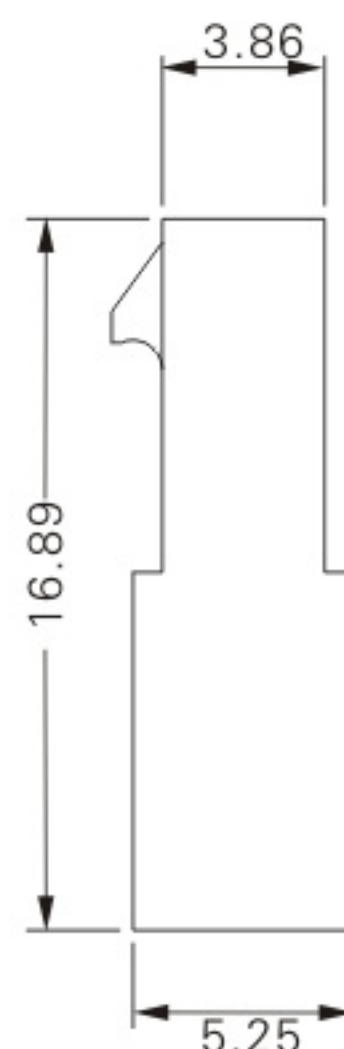
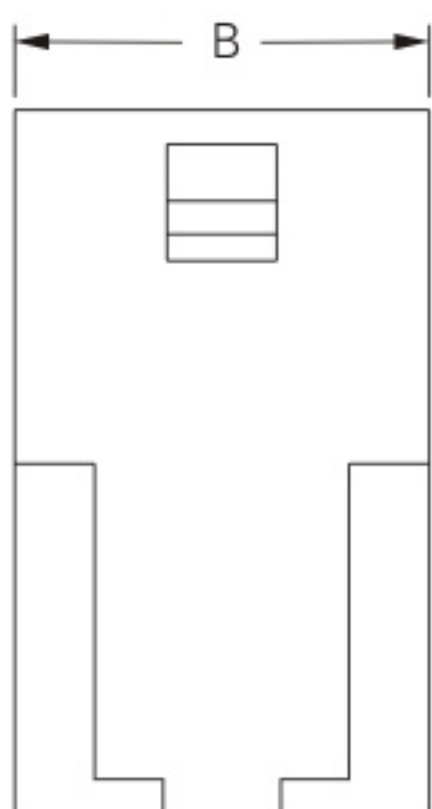
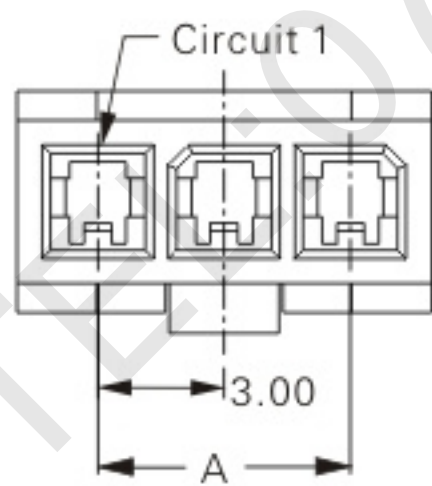
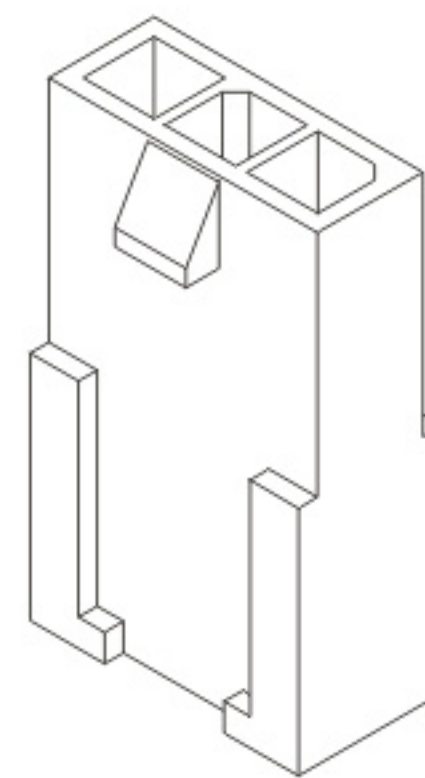
Unit: mm

Part No.	Wire Range	Insulation O.D.	Material	Finish	Qty/reel
3015T-2	AWG#20-24		Brass	Tin-plated	10,000PCS

3015H-1xNP (3.00mm pitch single row housing)

Reference Informations:

- *Material: Nylon 66, UL 94V-2
Nylon 66, UL 94V-0
- *Suitable 3015 series Terminal
- *Mates with 3016H series single row Housing



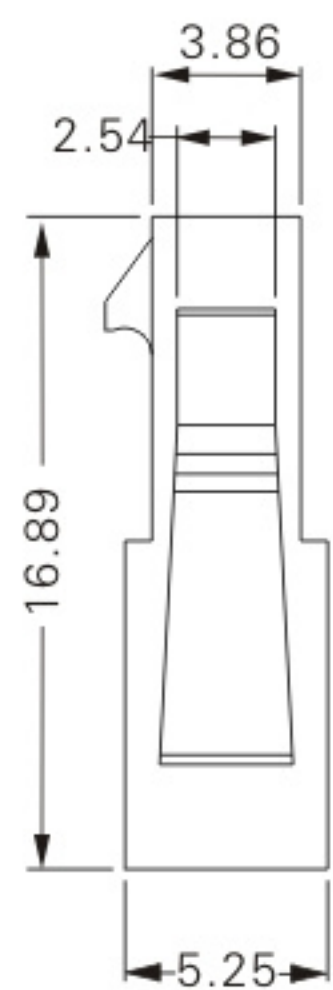
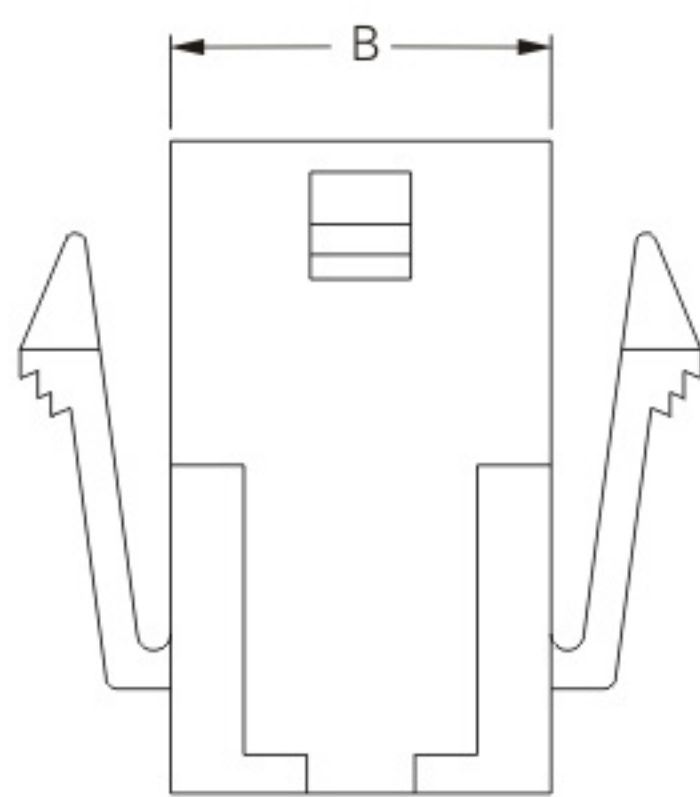
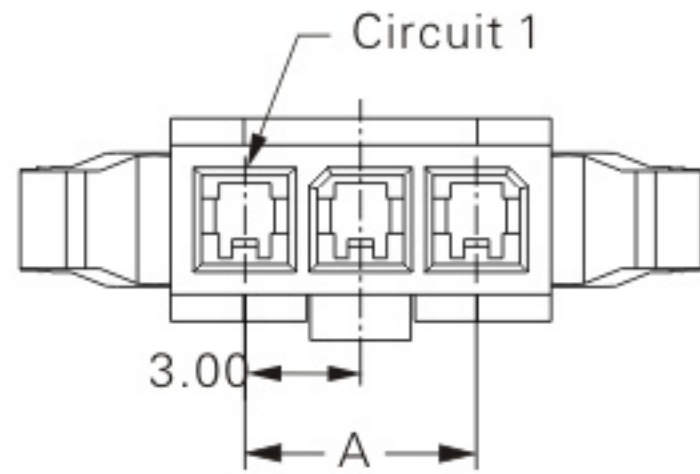
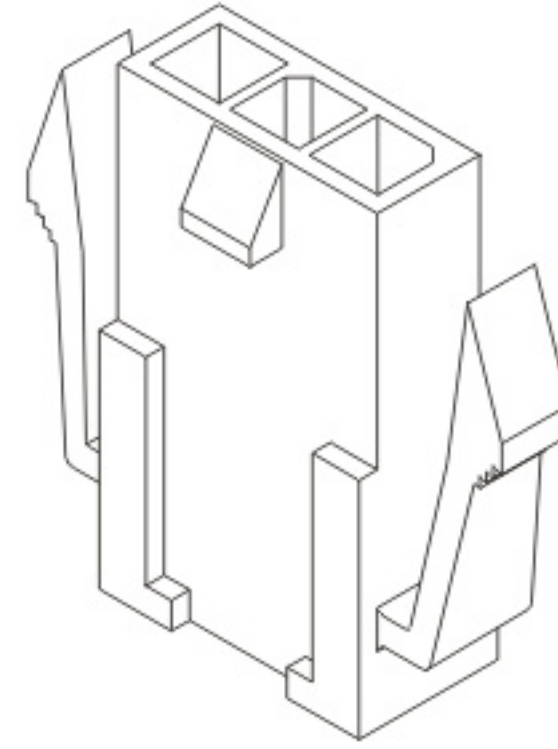
Ordering Information & Dimensions

Circuits	Part No.	DIM.(mm)	
		A	B
02	3015H-02P	3.00	6.85
03	3015H-03P	6.00	9.85
04	3015H-04P	9.00	12.85
05	3015H-05P	12.00	15.85
06	3015H-06P	15.00	18.85
07	3015H-07P	18.00	21.85
08	3015H-08P	21.00	24.85
09	3015H-09P	24.00	27.85
10	3015H-10P	27.00	30.85
11	3015H-11P	30.00	33.85
12	3015H-12P	33.00	36.85

3015H-1xNP-E (3.00mm pitch single row housing)

Reference Informations:

- *Material: Nylon 66, UL94V-2
Nylon 66, UL94V-0
- *Suitable 3015 series Terminal
- *Mates with 3016H series single row Housing



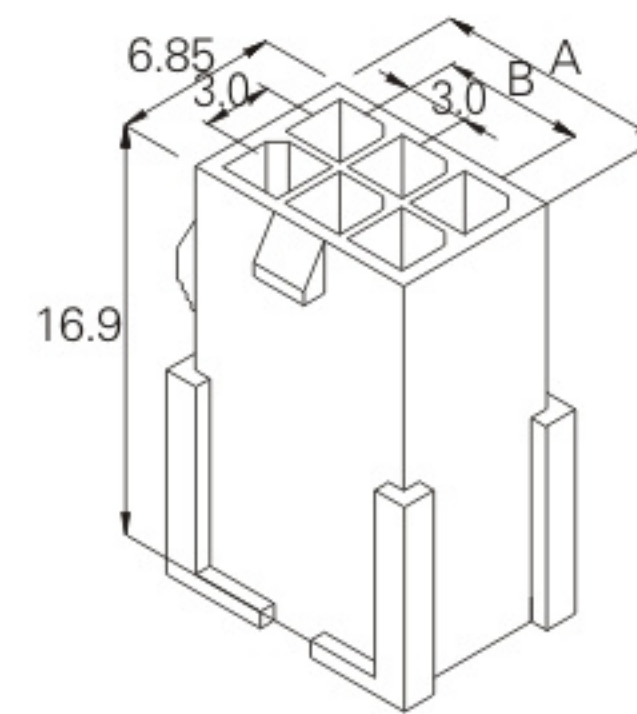
Ordering Information & Dimensions

Circuits	Part No.	DIM.(mm)	
		A	B
02	3015H-02P-E	3.00	6.85
03	3015H-03P-E	6.00	9.85
04	3015H-04P-E	9.00	12.85
05	3015H-05P-E	12.00	15.85
06	3015H-06P-E	15.00	18.85
07	3015H-07P-E	18.00	21.85
08	3015H-08P-E	21.00	24.85
09	3015H-09P-E	24.00	27.85
10	3015H-10P-E	27.00	30.85
11	3015H-11P-E	30.00	33.85
12	3015H-12P-E	33.00	36.85

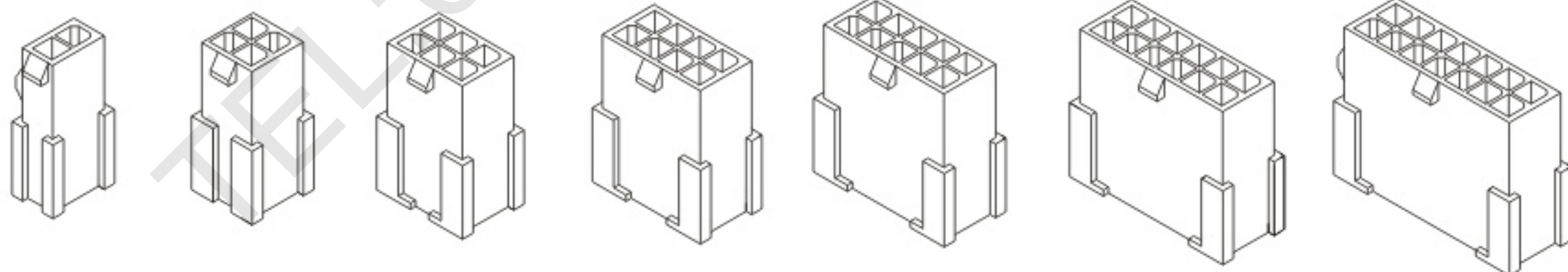
3015H-2XNP (3.00mm pitch dual row housing)

Reference Informations:

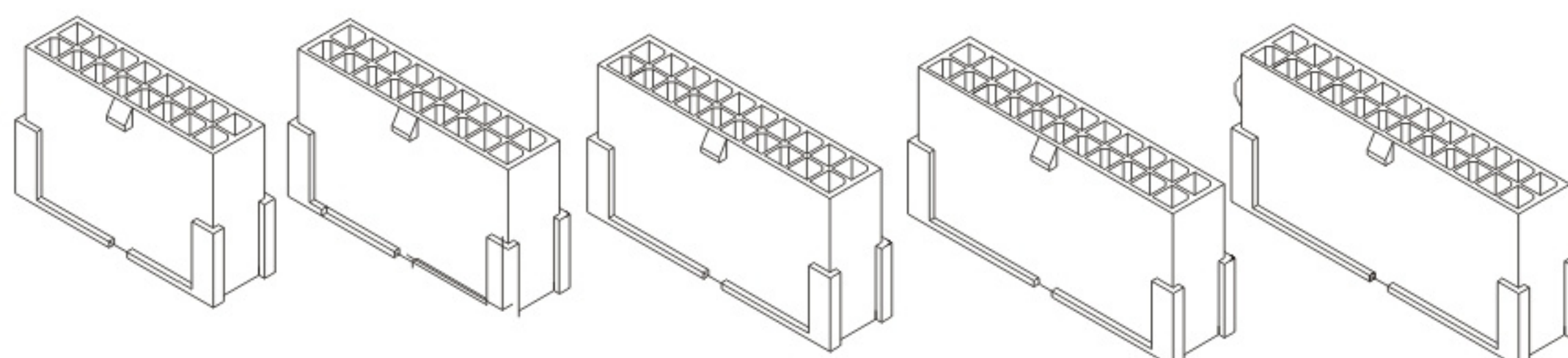
- *Mat'l: Nylon 66 UL94V-0
- *Mates With: 3015 series Terminal
- *Accepts With: 3016H series Housing or 3015PR series Wafer



3015H-2 (2X1) 3015H-4 (2X2) 3015H-6 (2X3) 3015H-8 (2X4) 3015H-10 (2X5) 3015H-12 (2X6) 3015H-14 (2X7)



3015H-16 (2X8) 3015H-18 (2X9) 3015H-20 (2X10) 3015H-22 (2X11) 3015H-24 (2X12)



Ordering Information & Dimensions

Circuits	Part No.	DIM.(mm)	
		A	B
02	3015H-02(2x1)	3.85	
04	3015H-04(2x2)	6.85	3.0
06	3015H-06(2x3)	9.85	6.0
08	3015H-08(2x4)	12.85	9.0
10	3015H-10(2x5)	15.85	12.0
12	3015H-12(2x6)	18.85	15.0
14	3015H-14(2x7)	21.85	18.0
16	3015H-16(2x8)	24.85	21.0
18	3015H-18(2x9)	27.85	24.0
20	3015H-20(2x10)	30.85	27.0
22	3015H-22(2x11)	33.85	30.0
24	3015H-24(2x12)	36.85	33.0

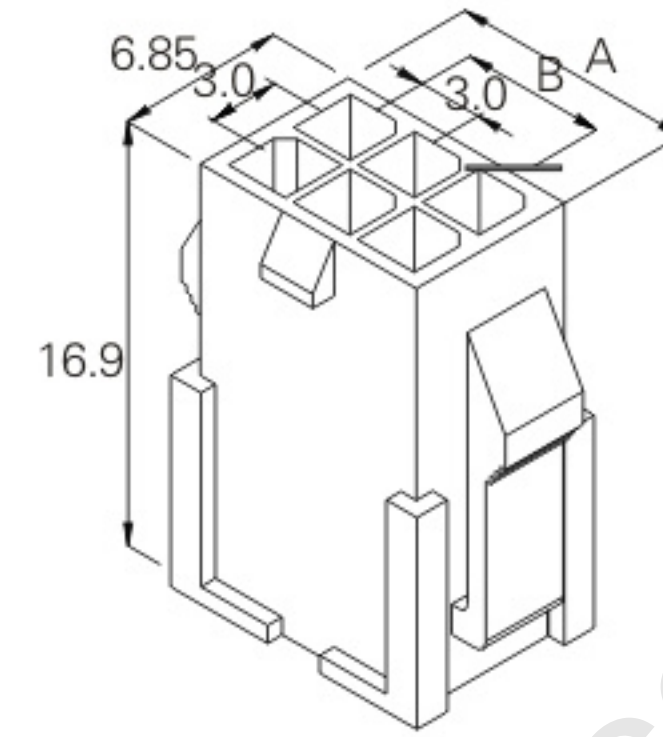
3015H-2XNP-E (3.00mm dual row housing)

Reference Informations:

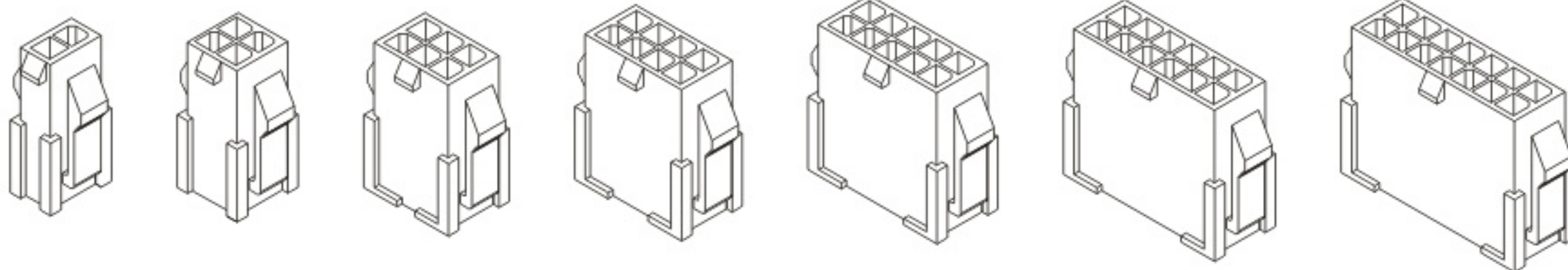
*Mat'l: Nylon 66 UL94V-0

*Mates With: 3015 series Terminal

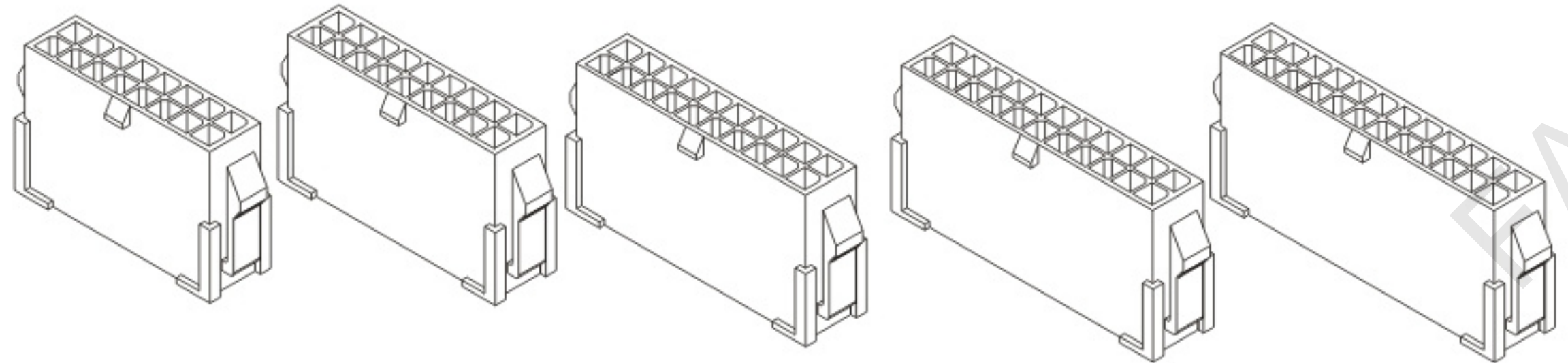
*Accepts With: 3016H series Housing



3015H-2E (2X1) 3015H-4E (2X2) 3015H-6E (2X3) 3015H-8E (2X4) 3015H-10E (2X5) 3015H-12E (2X6) 3015H-14E (2X7)



3015H-16E (2X8) 3015H-18E (2X9) 3015H-20E (2X10) 3015H-22E (2X11) 3015H-24E (2X12)



Ordering Information & Dimensions

Circuits	Part No.	DIM.(mm)	
		A	B
02	3015H-02E(2X1)	3.85	
04	3015H-04E(2X2)	6.85	3.0
06	3015H-06E(2X3)	9.85	6.0
08	3015H-08E(2X4)	12.85	9.0
10	3015H-10E(2X5)	15.85	12.0
12	3015H-12E(2X6)	18.85	15.0
14	3015H-14E(2X7)	21.85	18.0
16	3015H-16E(2X8)	24.85	21.0
18	3015H-18E(2X9)	27.85	24.0
20	3015H-20E(2X10)	30.85	27.0
22	3015H-22E(2X11)	33.85	30.0
24	3015H-24E(2X12)	36.85	33.0

TEL:0769-87937795