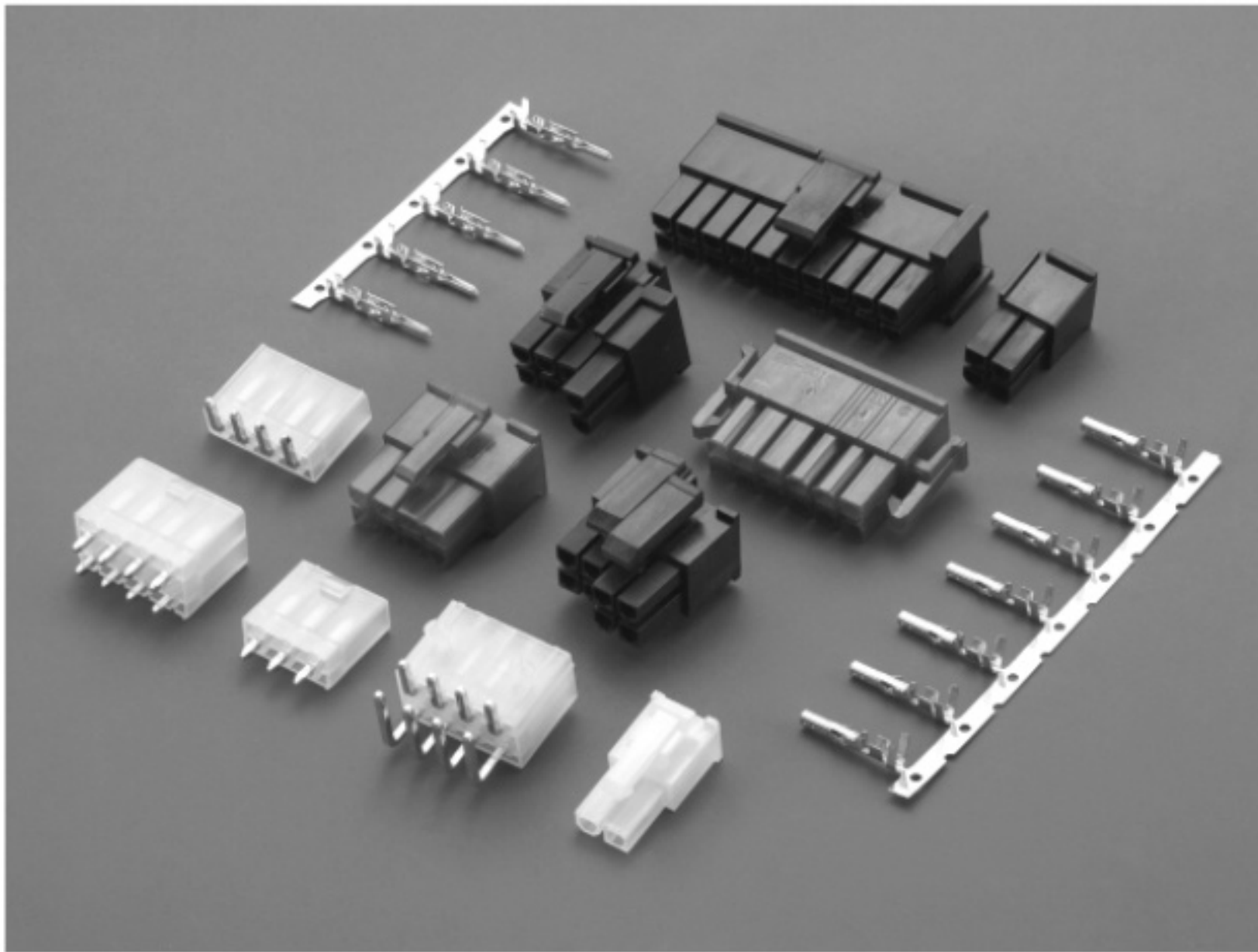


5016H SERIES

4.20mm PITCH WIRE TO BOARD CONNECTOR



Specifications

Current rating: 6-7A AC ,DC

Voltage rating: 250V AV,DC

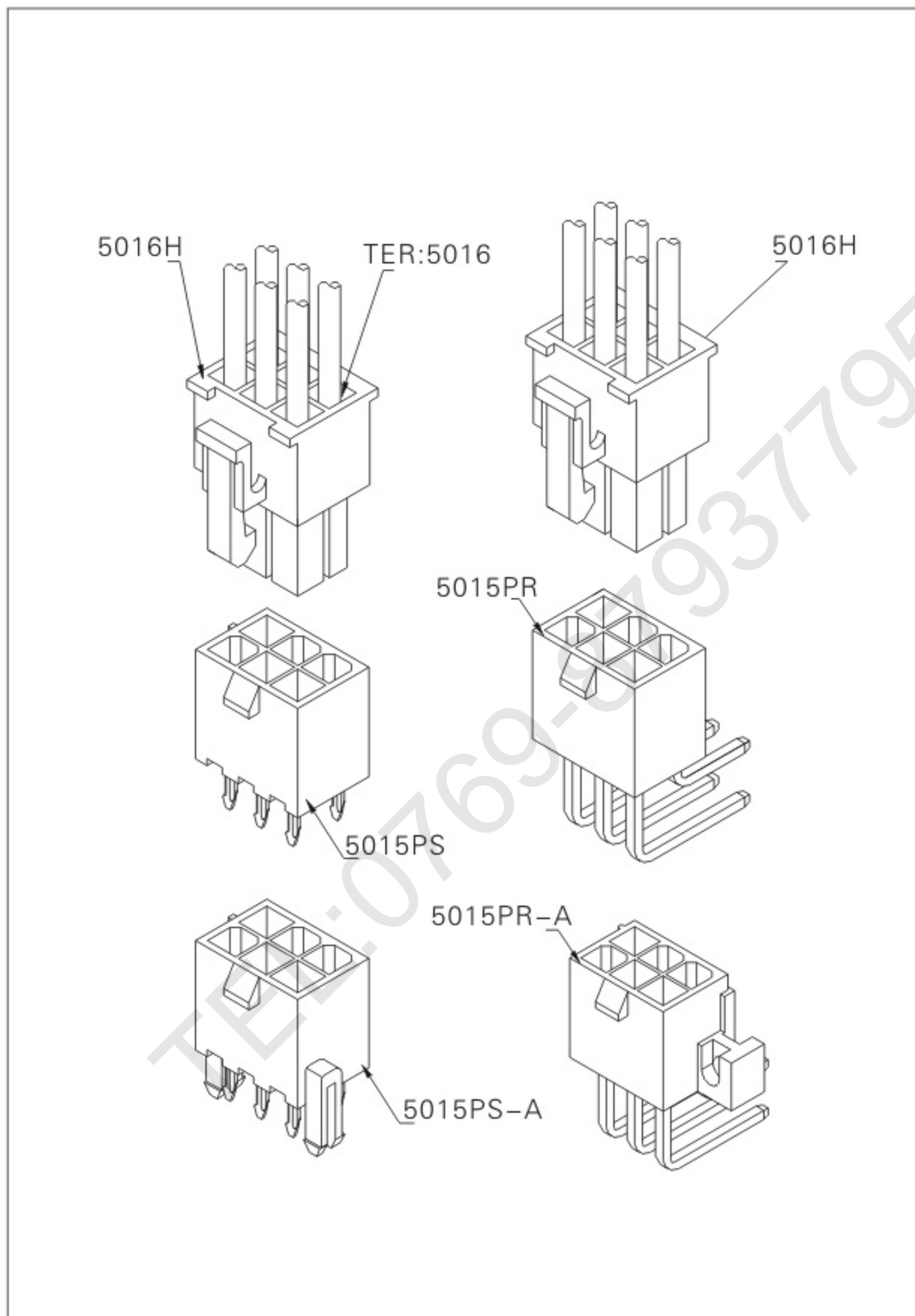
Temperature range: -25°C to+85°C
(including temperature rise)

Contact resistance: Initial value/10mΩ Max.

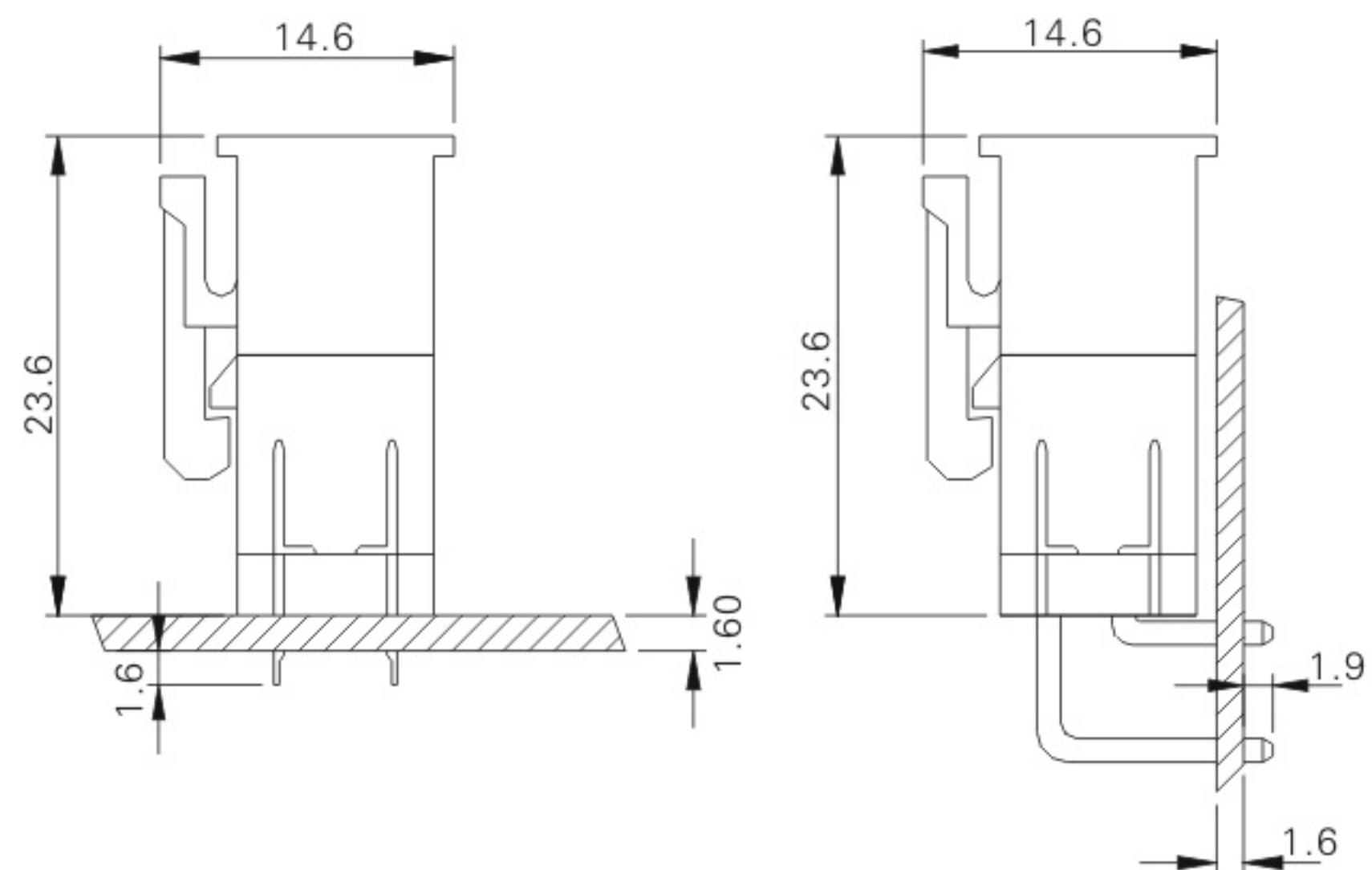
Insulation resistance: 500MΩ Min

Withstanding voltage: 1500V AC/minute

Applicable wire: AWG#18-#24



Assembly layout

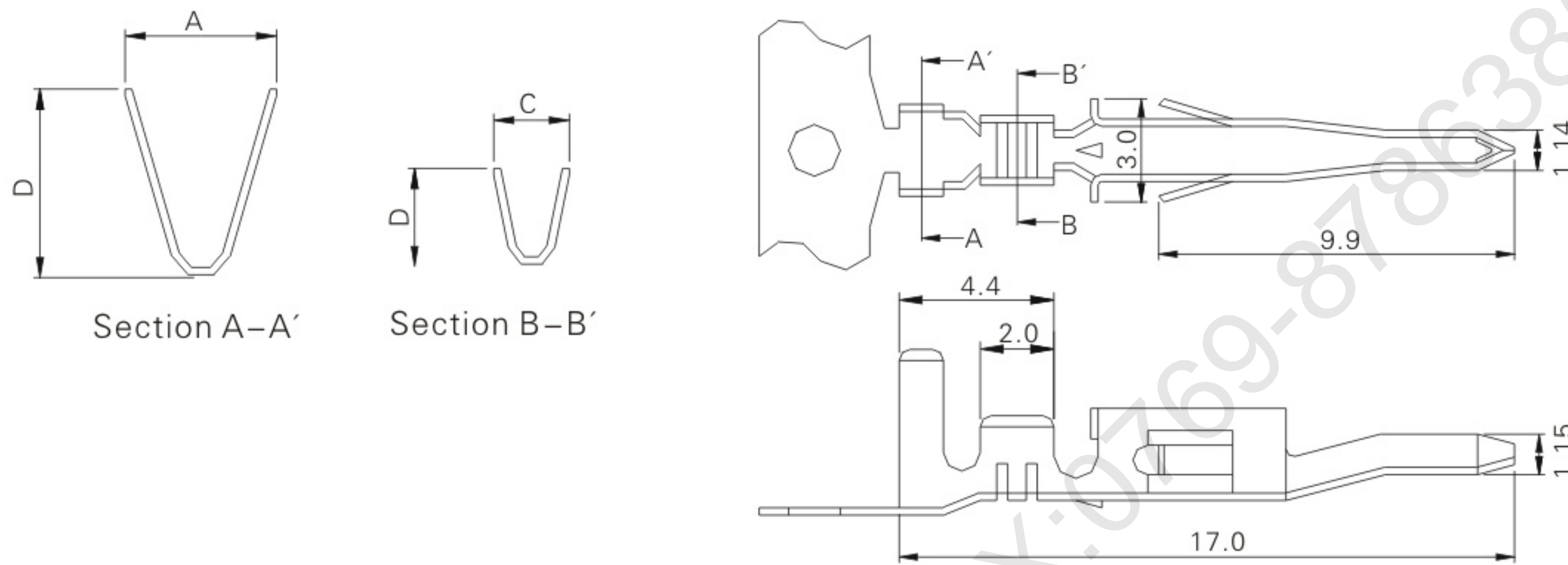


WIRE TO BOARD

5016-T (4.20mm pitch crimp terminal)

Reference Informations:

- *Thickness:0.2mm
- *Mat'l:Brass Tin Plated
- *Mates With:5016H series Housing



Ordering Information & Specifications

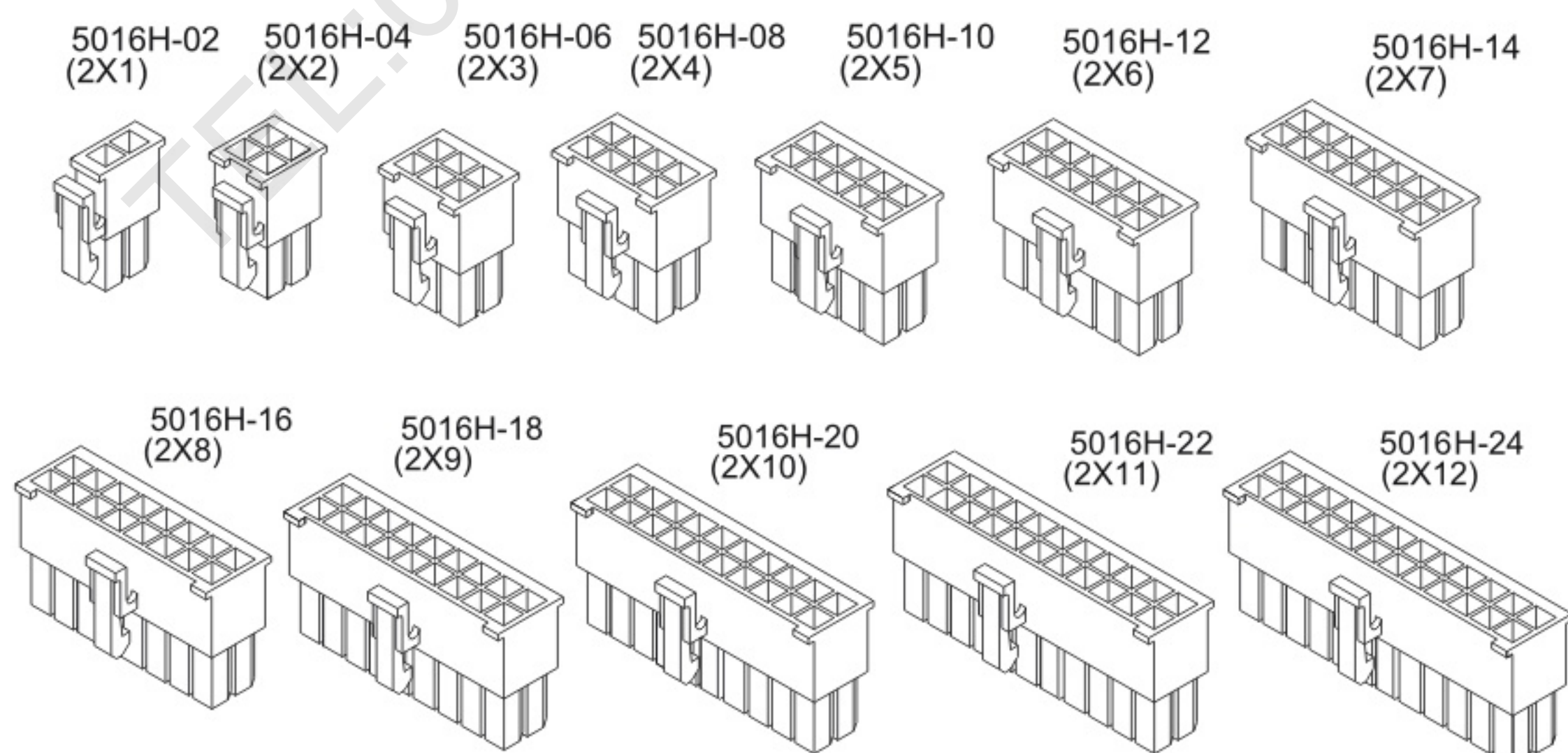
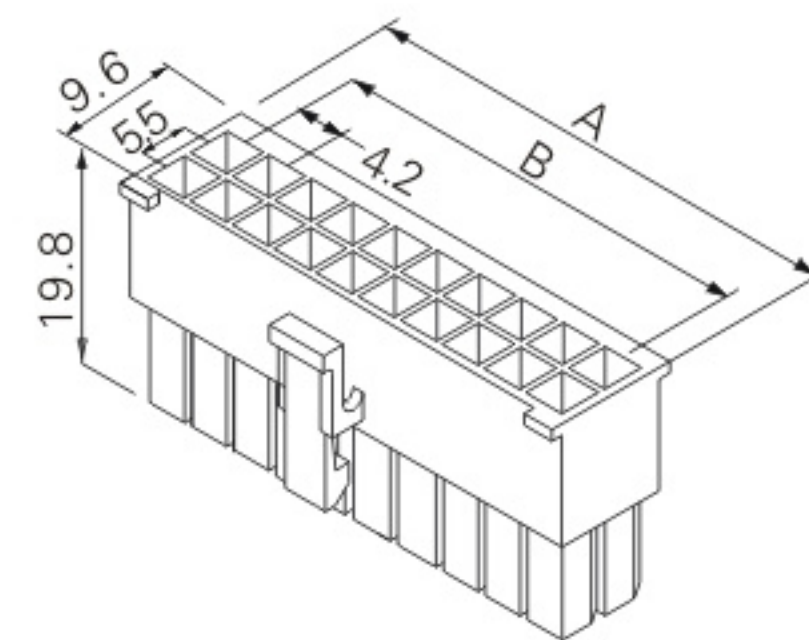
Unit: mm

Part No.	Wire Range	Insulation O.D.	Material	Finish	Qty/reel
5016T1	AWG#18-#22	Φ2.8mm max	Brass	Tin-plated	5,000
5016T2	AWG#22-#24	Φ2.0mm max	Brass	Tin-plated	5,000

5016H (4.20mm pitch crimp housing)

Reference Informations:

- *Mat'l: Nylon 46 UL94V-2
- *Mates With 5016 series Terminal
- *Mates With: 5016H series Housing



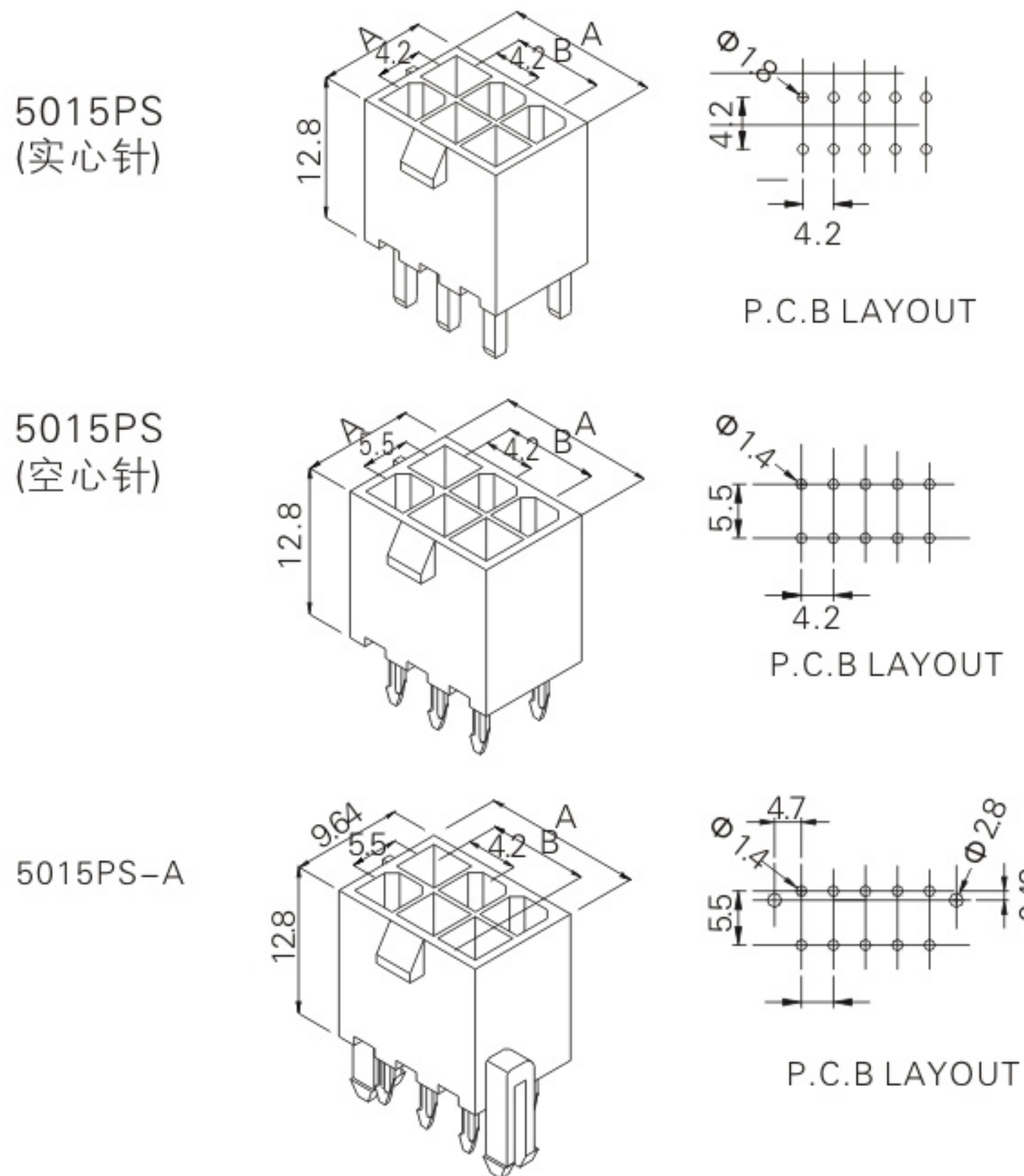
Ordering Information & Dimensions

Part No.	DIM.(mm)	
	A	B
5016H-02 (2x1)	5.40	
5016H-04 (2x2)	9.60	4.2
5016H-06 (2x3)	13.80	8.4
5016H-08 (2x4)	18.00	12.6
5016H-10 (2x5)	22.20	16.8
5016H-12 (2x6)	26.40	21.0
5016H-14 (2x7)	30.60	25.2
5016H-16 (2x8)	34.80	29.4
5016H-18 (2x9)	39.00	33.6
5016H-20 (2x10)	43.20	37.8
5016H-22 (2x11)	47.40	42.0
5016H-24 (2x12)	51.60	46.2

5015PS 5015PS-A (4.2mm pitch 180° wafer)

Reference Informations:

- *Mat'l: Nylon 66 UL94V-2
- *Mates With 5016 series Terminal
- *Accepts With: 5016H series Housing
- *Positive Housing Locks



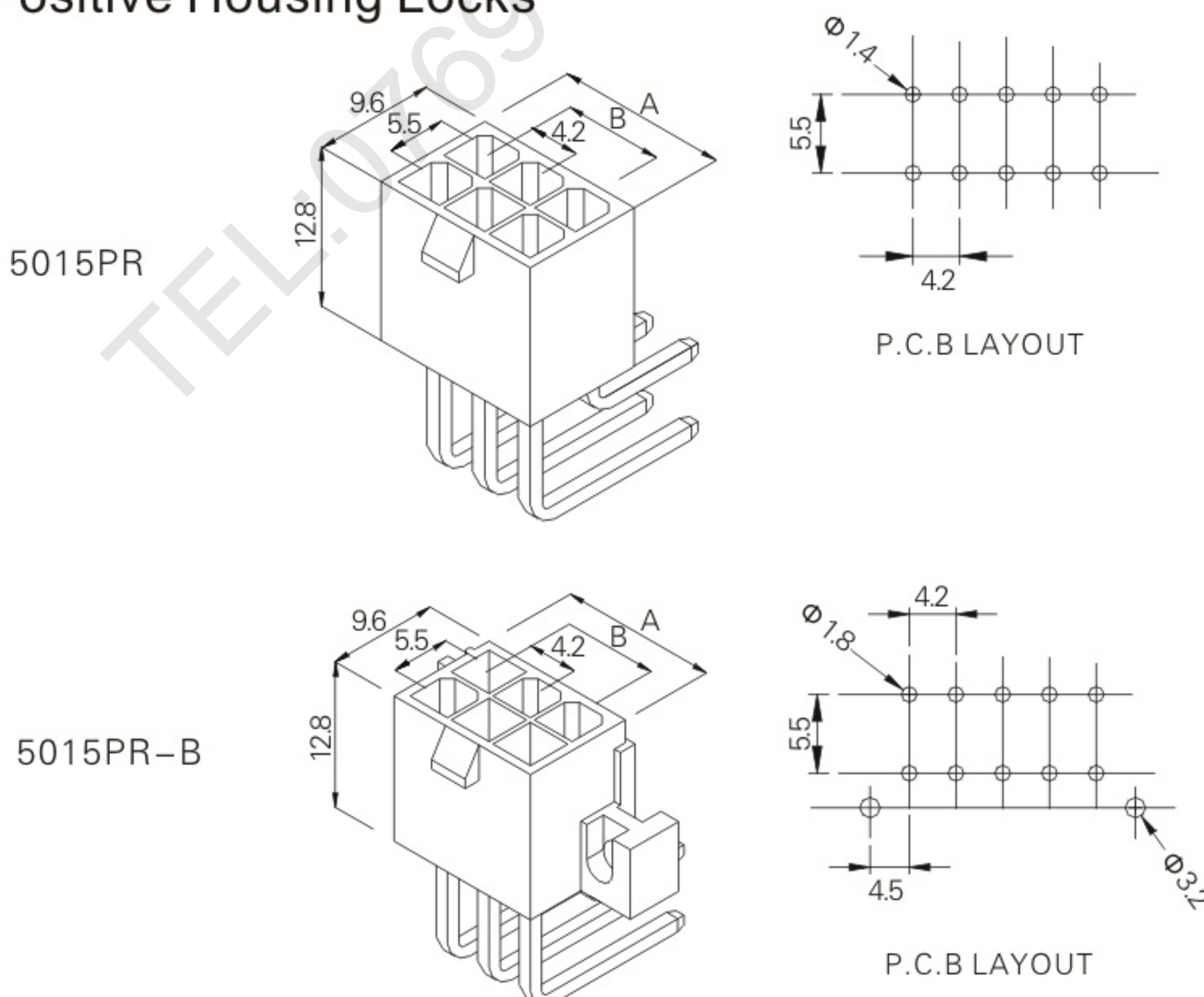
Ordering Information & Dimensions

Part No.	DIM.(mm)	
	A	B
5015PS-02 (2x1) 5015PS-02A	5.40	
5015PS-04 (2x2) 5015PS-04A	9.60	4.2
5015PS-06 (2x3) 5015PS-06A	13.80	8.4
5015PS-08 (2x4) 5015PS-08A	18.00	12.6
5015PS-10 (2x5) 5015PS-10A	22.20	16.8
5015PS-12 (2x6) 5015PS-12A	26.40	21.0
5015PS-14 (2x7) 5015PS-14A	30.60	25.2
5015PS-16 (2x8) 5015PS-16A	34.80	29.4
5015PS-18 (2x9) 5015PS-18A	39.00	33.6
5015PS-20 (2x10) 5015PS-20A	43.20	37.8
5015PS-22 (2x11) 5015PS-22A	47.40	42.0
5015PS-24 (2x12) 5015PS-24A	51.60	46.2

5015PR 5015PR-B (4.2mm pitch 90° wafer)

Reference Informations:

- *Mat'l: Nylon 46 UL94V-2
- *Mates With 5016 series Terminal
- *Accepts With: 5016H series Housing
- *Positive Housing Locks



Ordering Information & Dimensions

Part No.	DIM.(mm)	
	A	B
5015PR-02 (2x1) 5015PR-02B	5.40	
5015PR-04 (2x2) 5015PR-04B	9.60	4.2
5015PR-06 (2x3) 5015PR-06B	13.80	8.4
5015PR-08 (2x4) 5015PR-08B	18.00	12.6
5015PR-10 (2x5) 5015PR-10A	22.20	16.8
5015PR-12 (2x6) 5015PR-12B	26.40	21.0
5015PR-14 (2x7) 5015PR-14B	30.60	25.2
5015PR-16 (2x8) 5015PR-16B	34.80	29.4
5015PR-18 (2x9) 5015PR-18B	39.00	33.6
5015PR-20 (2x10) 5015PR-20B	43.20	37.8
5015PR-22 (2x11) 5015PR-22B	47.40	42.0
5015PR-24 (2x12) 5015PR-24B	51.60	46.2