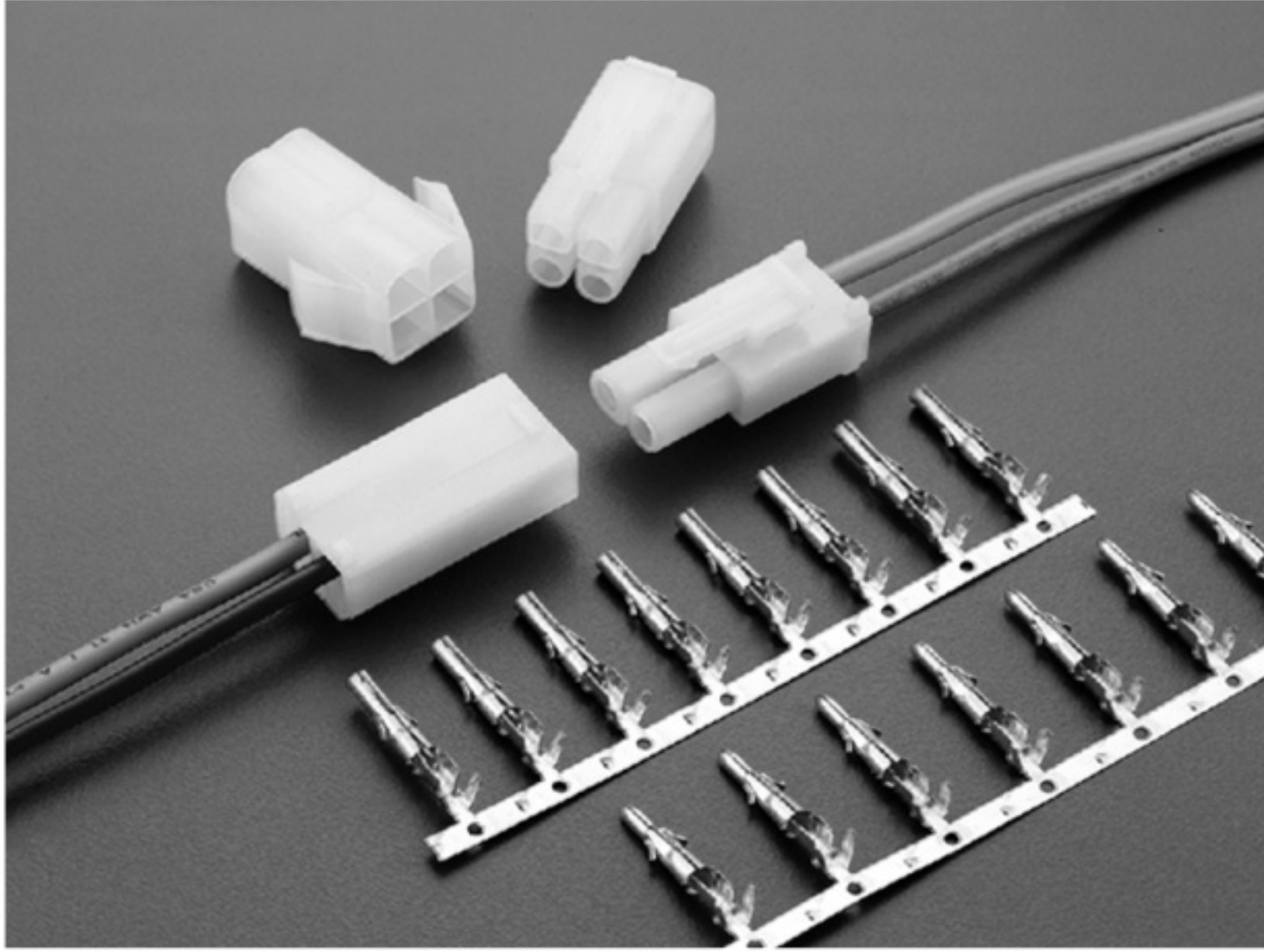


E020H/E120H SERIES

6.20mm PITCH WIRE TO WIRE CONNECTOR



Specifications

Current rating: 2.5A AC,DC

Voltage rating: 250V AC,DC

Temperature range: -25°C to +85°C
(including temperature rise)

Contact resistance: Initial value/ 10m Ω Max.

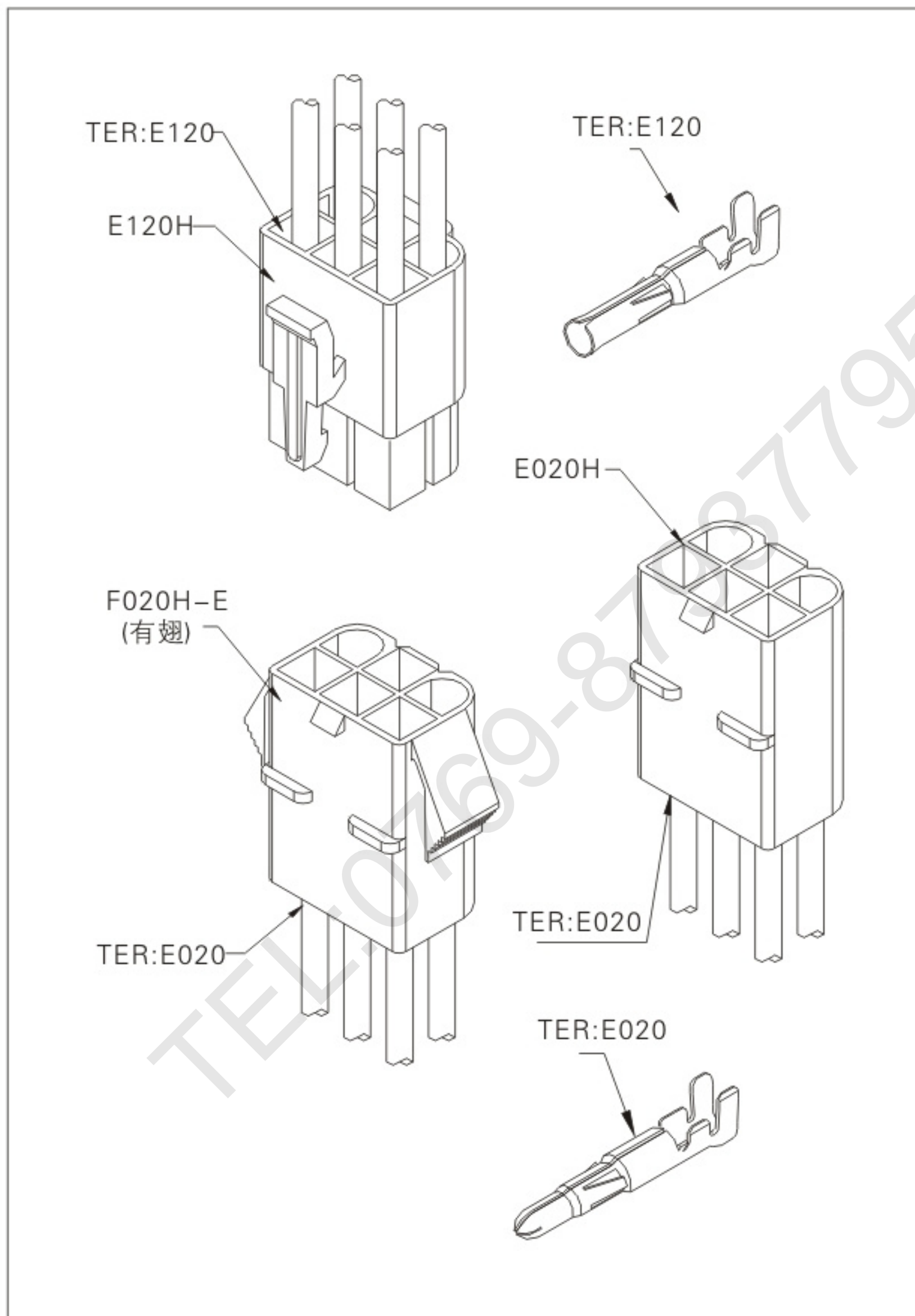
After environmental testing/20m Ω Max.

Insulation resistance: 1000M Ω Min.

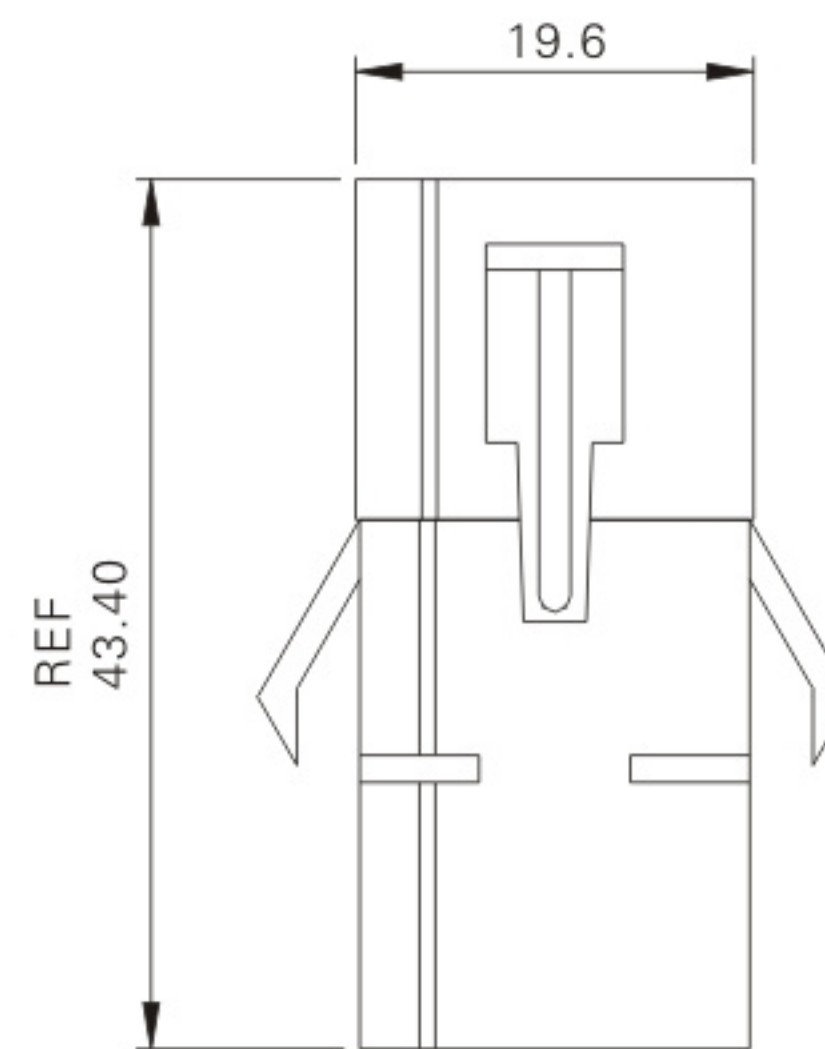
Withstanding voltage: 1500V AC/minute

Applicable wire: T1: AWG#14-#20

T2: AWG#18-#22



Assembly layout

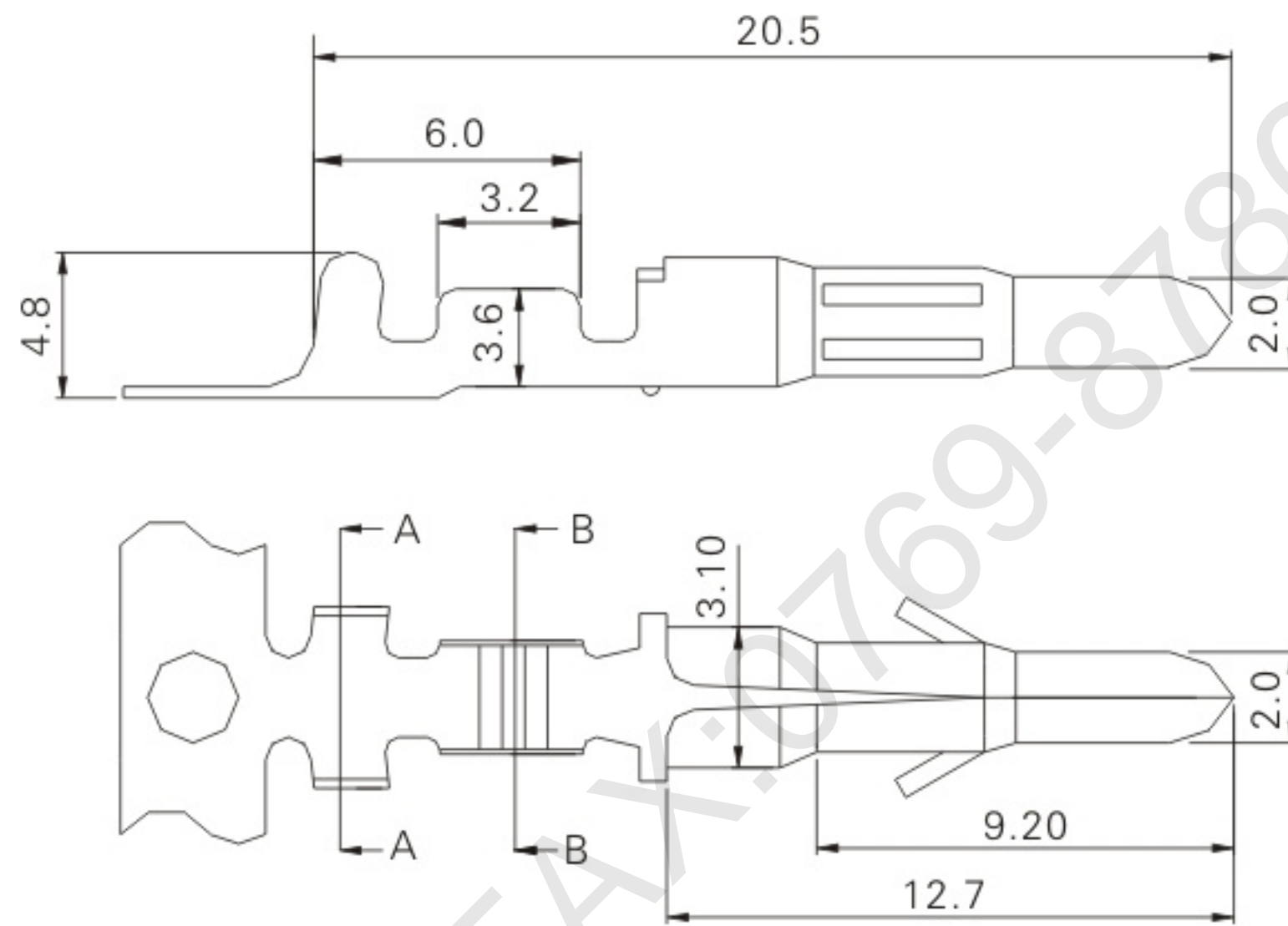
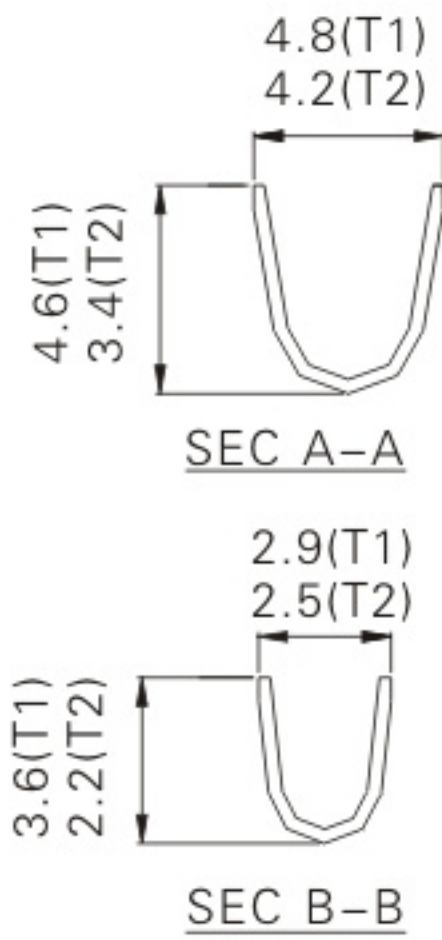


WIRE TO WIRE

E020 (6.2mm pitch crimp terminal)

Reference Informations:

- *Thickness: 0.25mm
- *Mat'l: Brass Tin Plated
- *Mates With: E020H Housing
- *Accepts With: E120 Terminal
E120H Housing



Ordering Information & Specifications

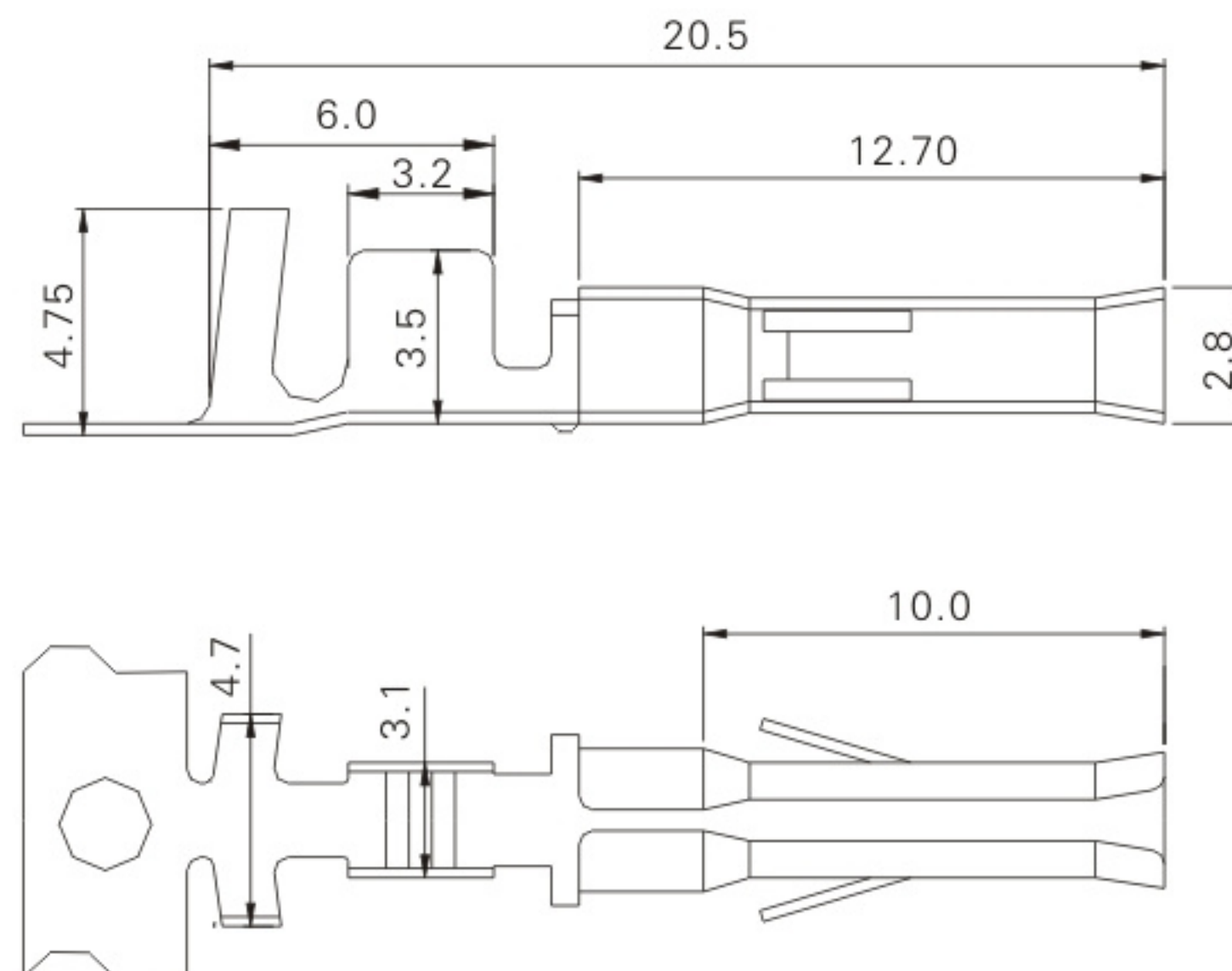
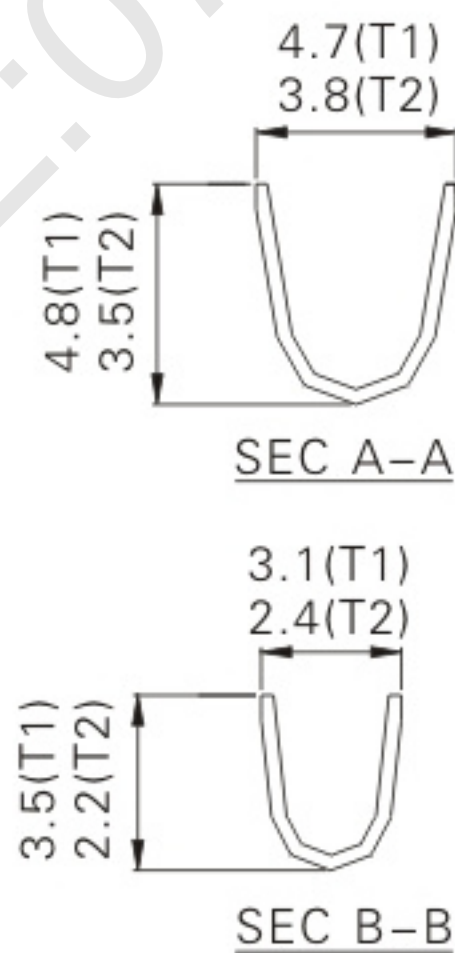
Unit: mm

Part No.	Wire Range	Insulation O.D.	Material	Finish	Qty/reel
E020-T1	#14-20	Φ3.6mm max	Brass	Tin-plated	3500
E020-T2	#18-22	Φ2.8mm max	Brass	Tin-plated	5000

E120 (6.2mm pitch crimp terminal)

Reference Informations:

- *Thickness: 0.25mm
- *Mat'l: Brass Tin Plated
- *Mates With: E020H Housing
- *Accepts With: E120 Terminal
E120H Housing



Ordering Information & Specifications

Unit: mm

Part No.	Wire Range	Insulation O.D.	Material	Finish	Qty/reel
E120-T1	#14-20	Φ3.5mm max	Brass	Tin-plated	3500
E120-T2	#18-22	Φ2.8mm max	Brass	Tin-plated	5000

E020H (6.20mm pitch series housing)

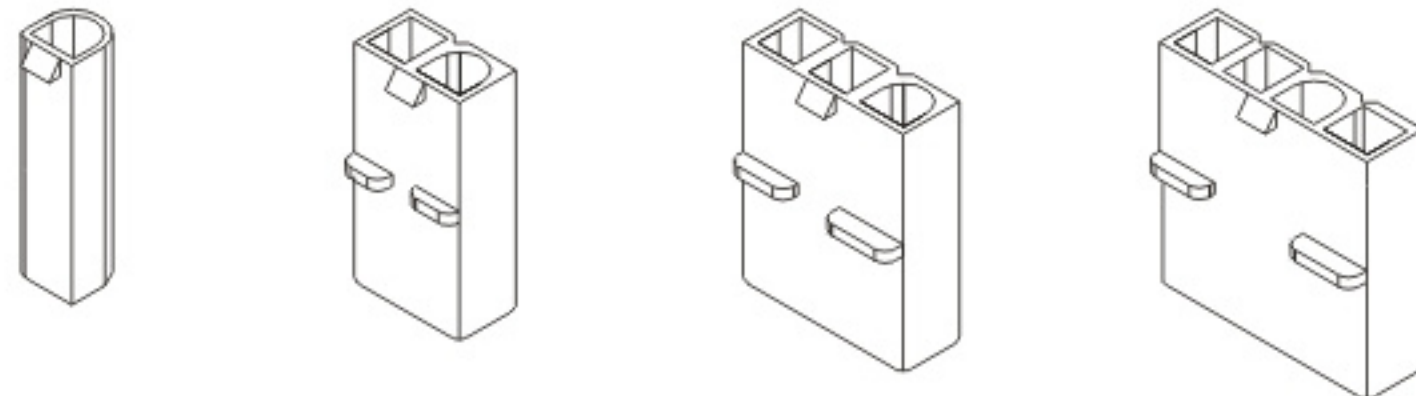
Reference Informations:

*Mat'l: Nylon66 UL94 V-2

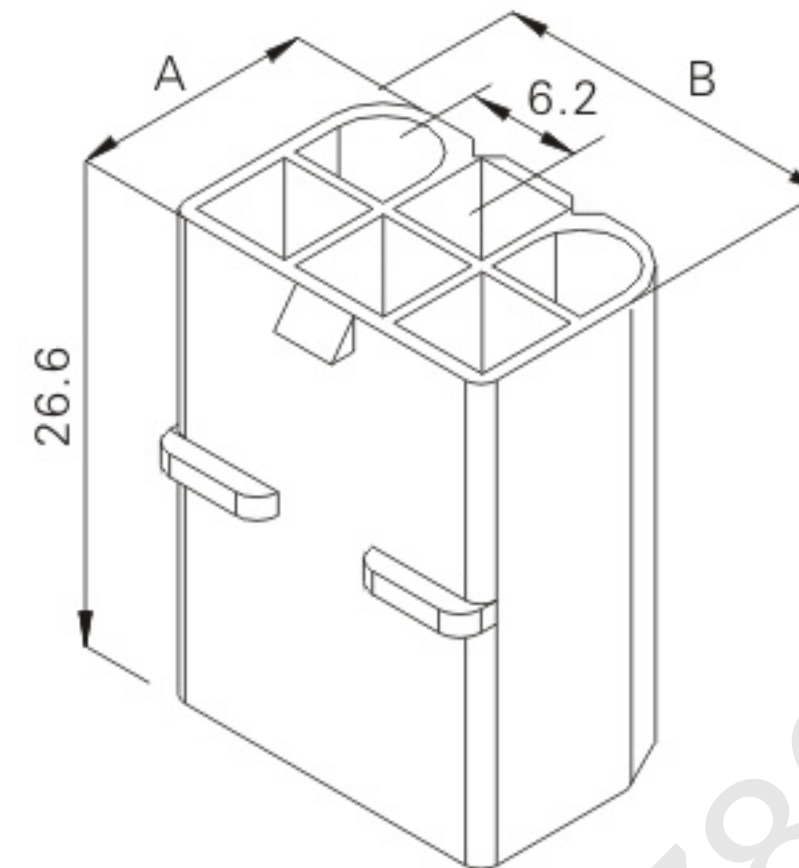
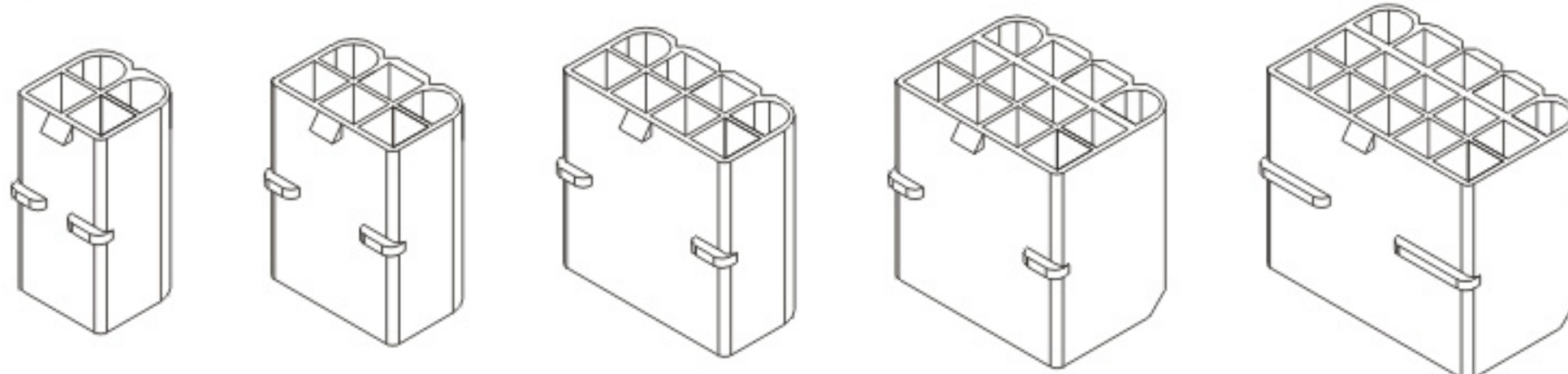
*Mates With: E020 series Terminal

*Mates With: E120H series Housing

E020H-01 E020H-02 E020H-03 E020H-04



E020H-04 (2X2) E020H-06 (2X3) E020H-09 (3X3) E020H-12 (3X4) E020H-15 (3X5)



Ordering Information & Dimensions

Circuits	Part No.	DIM.(mm)	
		A	B
01	E020H-01	7.0	7.0
02	E020H-02(1X2)	7.2	13.4
03	E020H-03(1X3)	7.2	19.6
04	E020H-04(1X4)	7.2	25.8
04	E020H-04(2X2)	13.4	13.4
06	E020H-06(2X3)	13.5	19.6
09	E020H-09(3X3)	19.6	19.6
12	E020H-12(3X4)	19.6	25.8
15	E020H-15(3X5)	19.6	32.0

E020H-E (6.20mm pitch series housing)

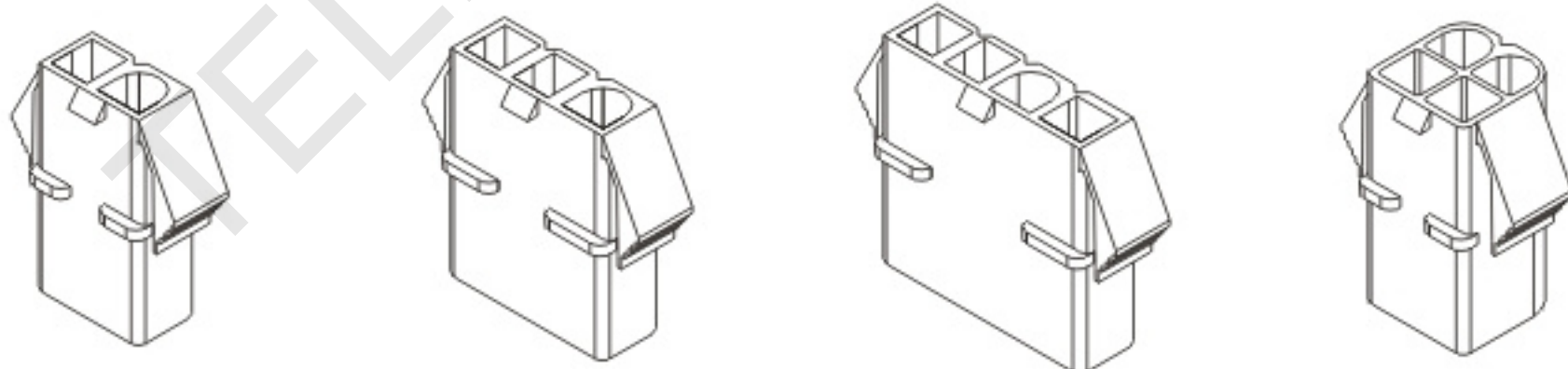
Reference Informations:

*Mat'l: Nylon66 UL94 V-2

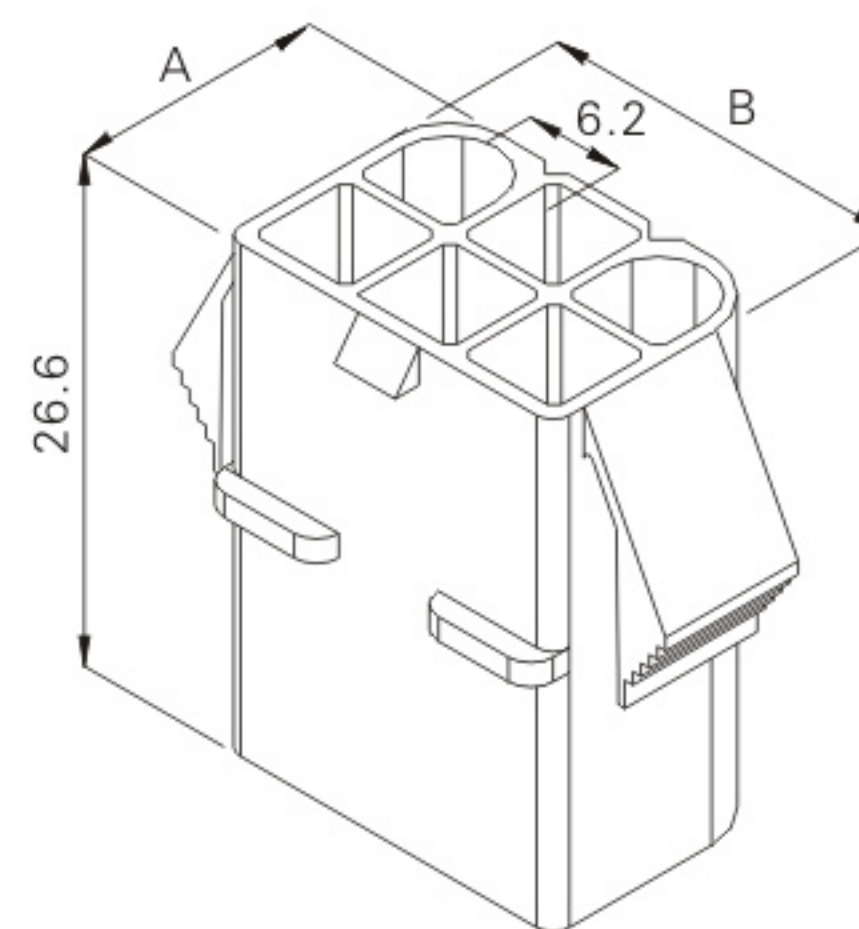
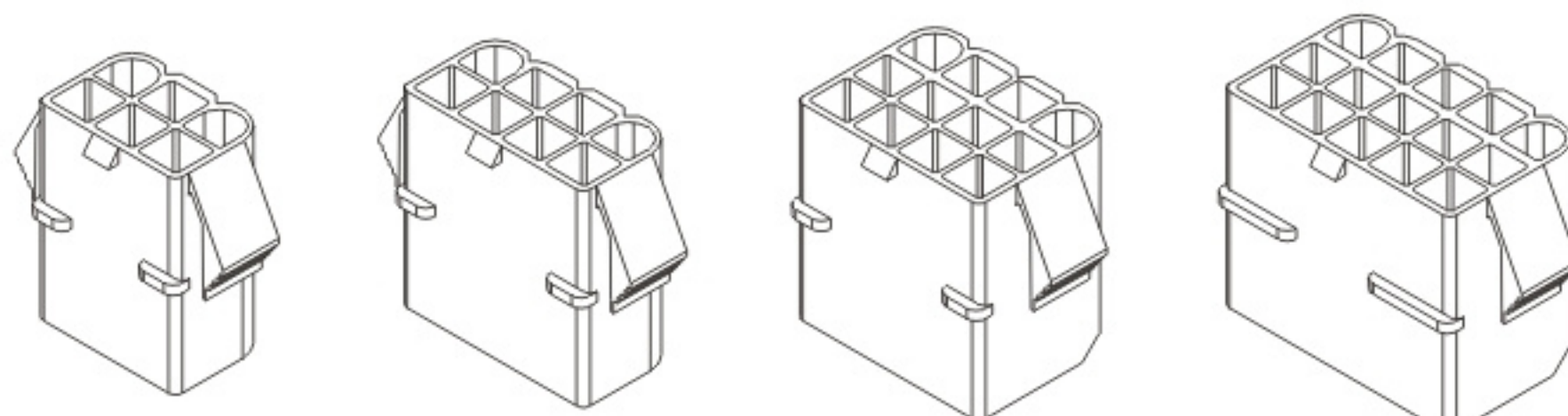
*Mates With: E020 series Terminal

*Mates With: E120H series Housing

E020H-02E E020H-03E E020H-04E E020H-04E(2X2)



E020H-06E (2X3) E020H-09E (3X3) E020H-12E (3X4) E020H-15E (3X5)



Ordering Information & Dimensions

Circuits	Part No.	DIM.(mm)	
		A	B
02	E020H-02E(1X2)	7.2	13.4
03	E020H-03E(1X3)	7.2	19.6
04	E020H-04E(1X4)	7.2	25.8
04	E020H-04E(2X2)	13.4	13.4
06	E020H-06E(2X3)	13.5	19.6
09	E020H-09E(3X3)	19.6	19.6
12	E020H-12E(3X4)	19.6	25.8
15	E020H-15E(3X5)	19.6	32.0

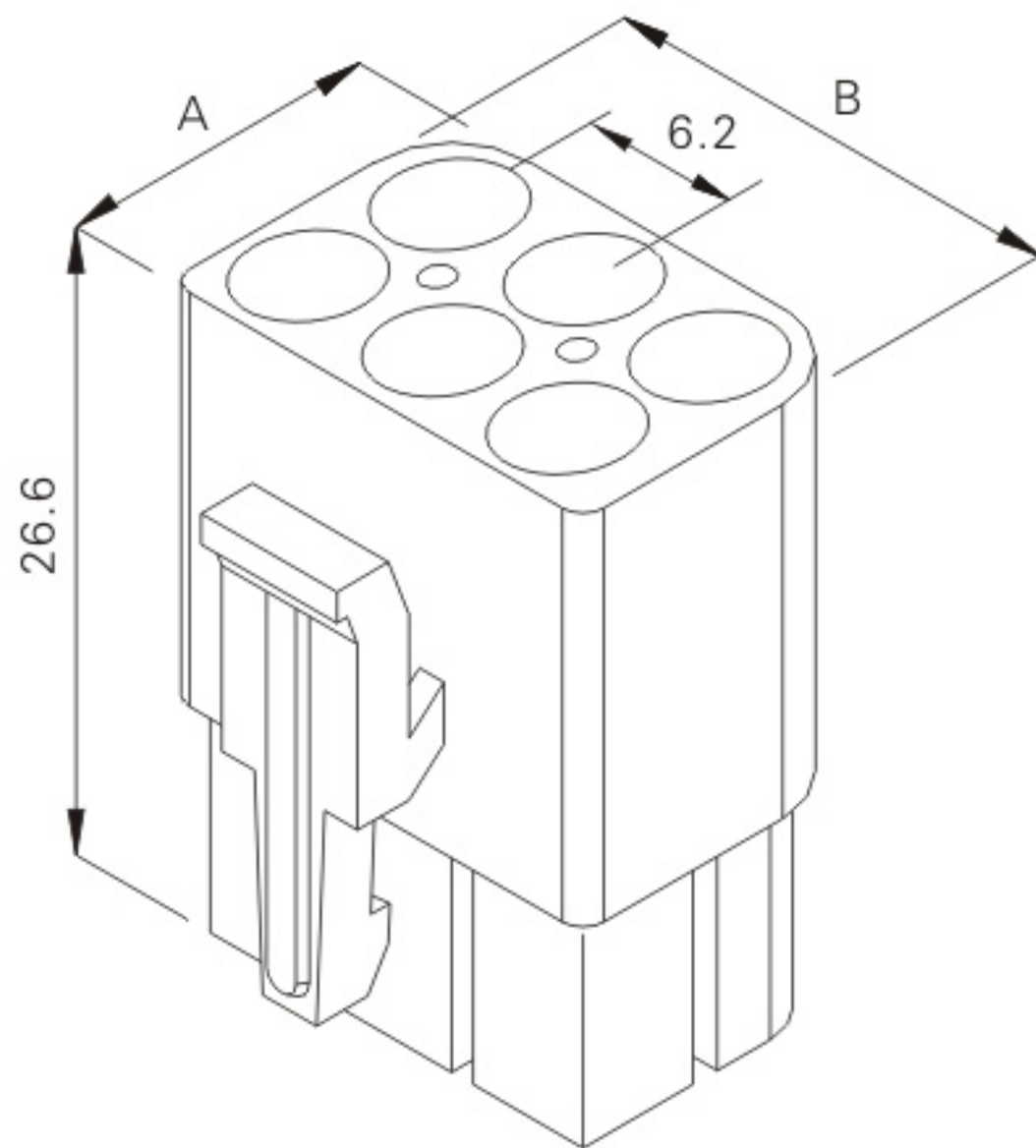
E120H (6.20mm pitch series housing)

Reference Informations:

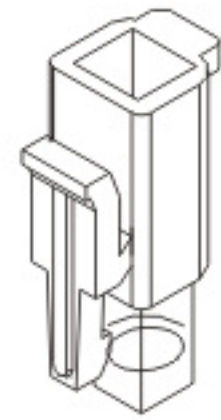
*Mat'l: Nylon66 UL94 V-2

*Mates With: E120 series Terminal

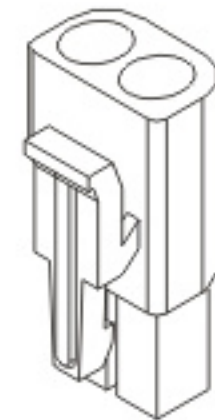
*Mates With: E020H series Housing



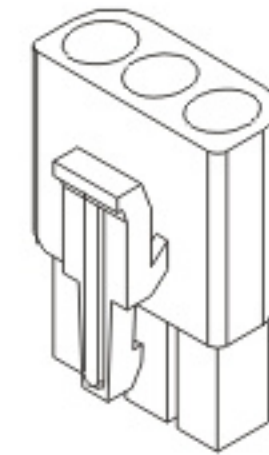
E120H-01



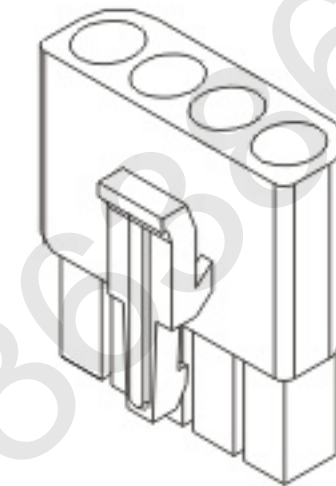
E120H-02



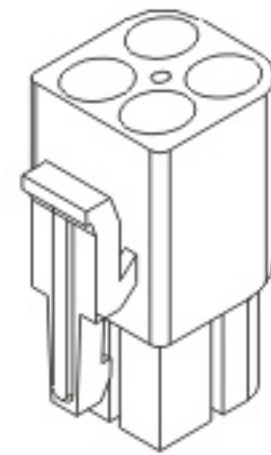
E120H-03



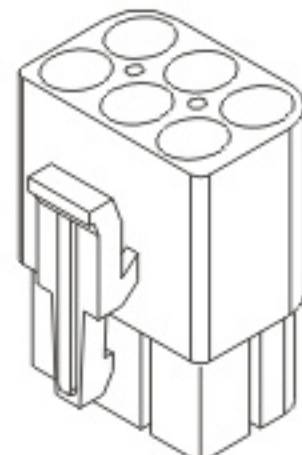
E120H-04



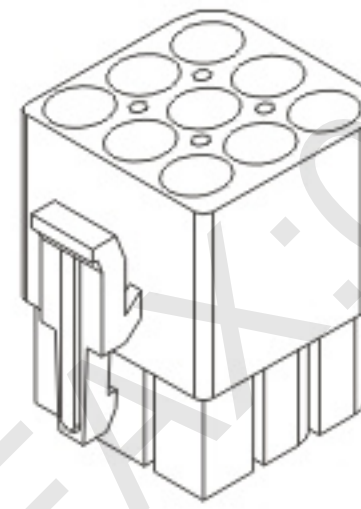
E120H-04
(2X2)



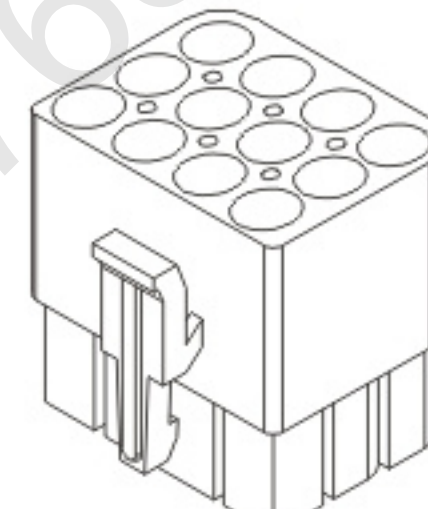
E120H-06
(2X3)



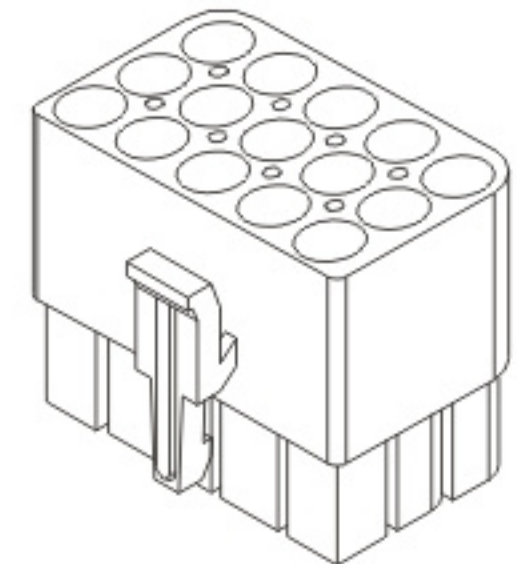
E120H-09
(3X3)



E120H-12
(3X4)



E120H-15
(3X5)



Ordering Information & Dimensions

Circuits	Part No.	DIM.(mm)	
		A	B
01	E120H-01	5.7	5.7
02	E120H-02(1X2)	7.2	13.4
03	E120H-03(1X3)	7.2	19.6
04	E120H-04(1X4)	7.2	25.8
04	E120H-04(2X2)	13.4	13.4

Ordering Information & Dimensions

Circuits	Part No.	DIM.(mm)	
		A	B
06	E120H-06(2X3)	13.5	19.6
09	E120H-09(3X3)	19.6	19.6
12	E120H-12(3X4)	19.6	25.8
15	E120H-15(3X5)	19.6	32.0