

## Specifications

Current rating: 4.0A AC,DC

Voltage rating: 250V AC,DC

Temperature range: -25°C to +85°C  
(including temperature rise)

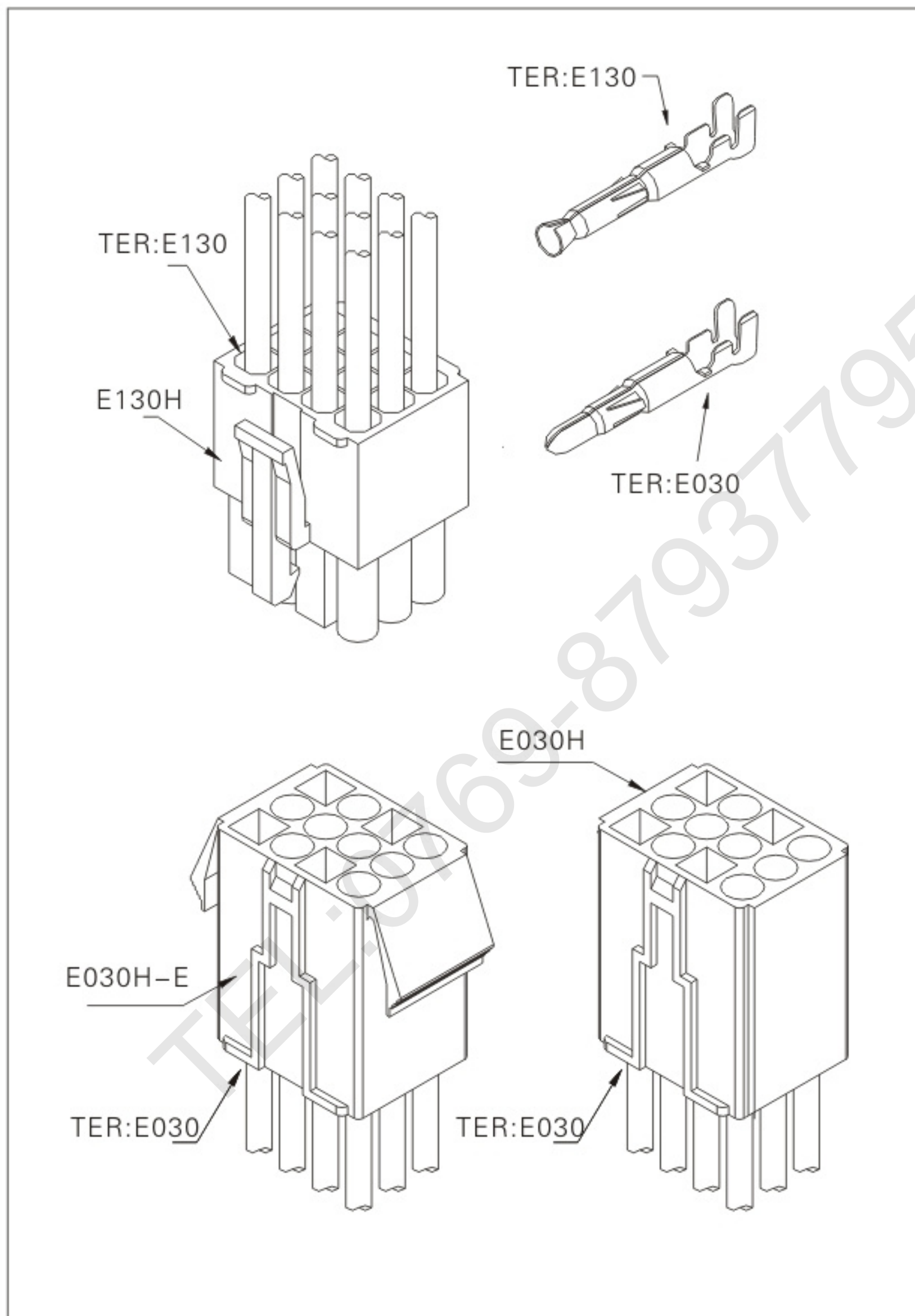
Contact resistance: Initial value/ 10m  $\Omega$  Max.  
After environmental testing/20m  $\Omega$  Max.

Insulation resistance: 500M  $\Omega$  Min.

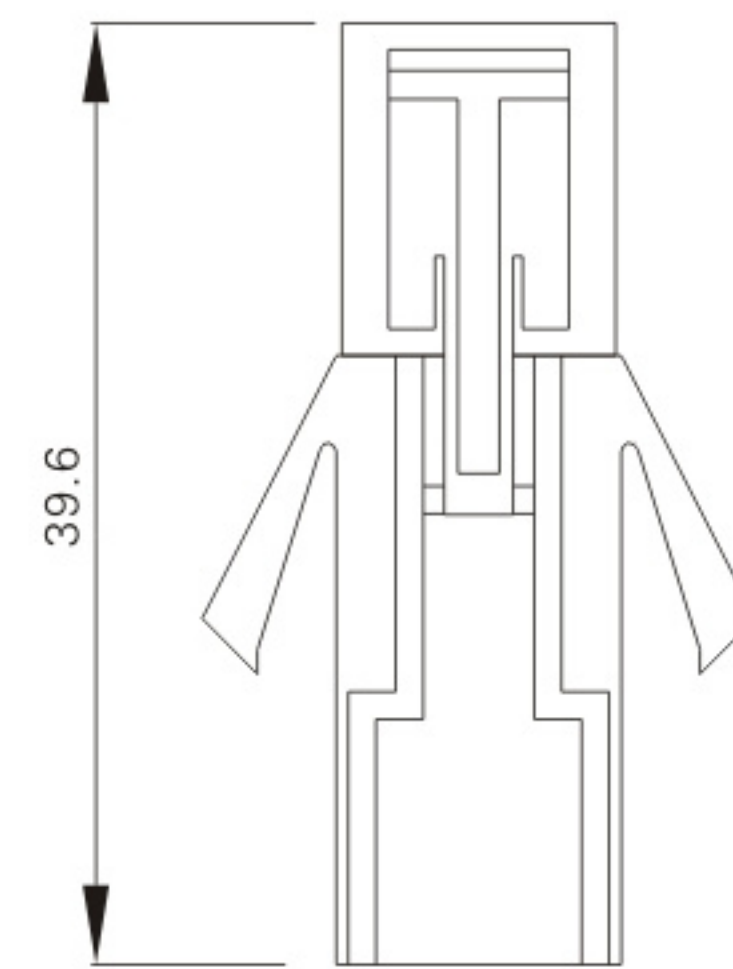
Withstanding voltage: 1500V AC/minute

Applicable wire: T1: AWG#16-#20

T2: AWG#20-#26



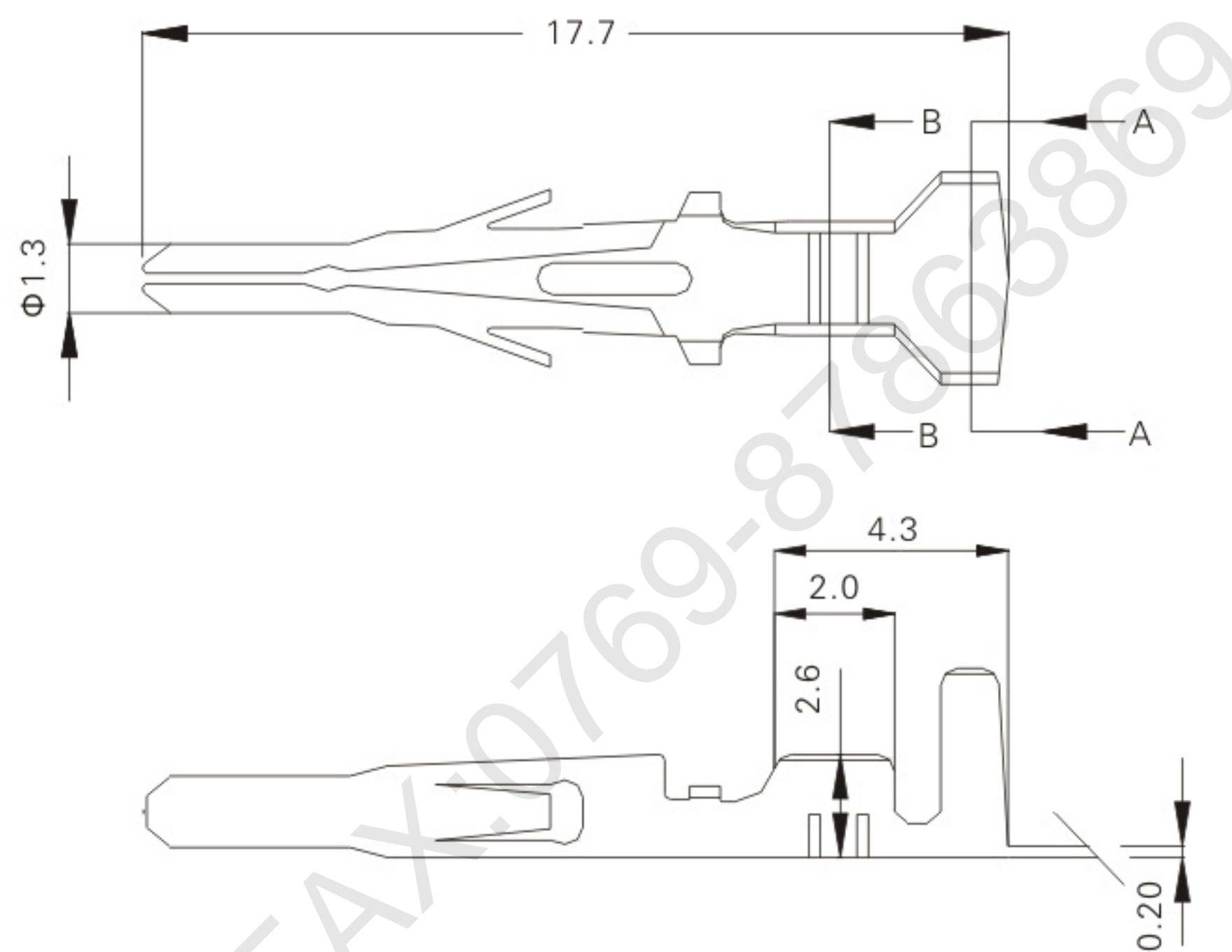
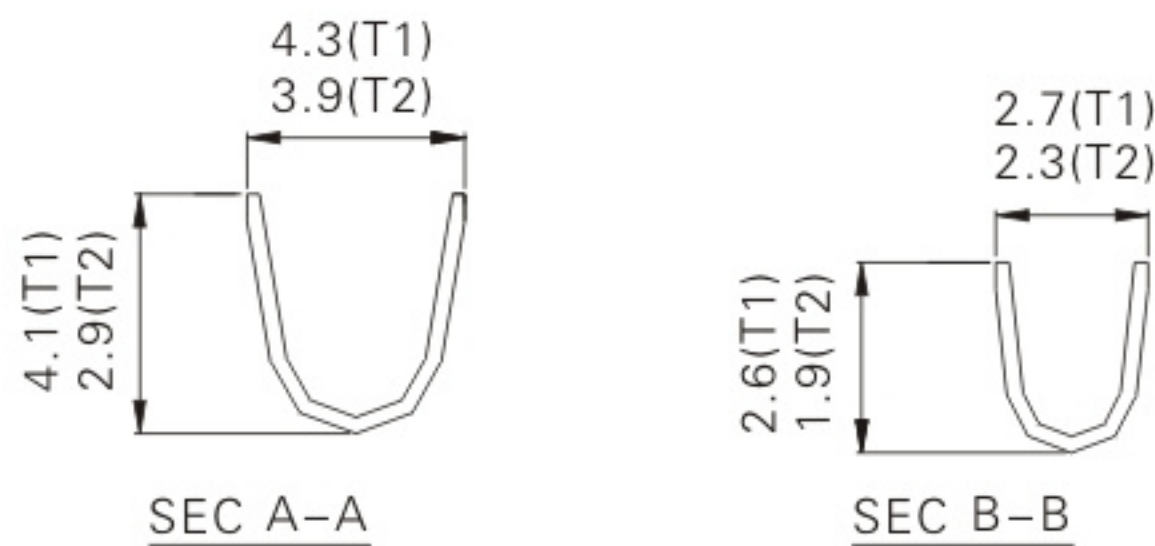
## Assembly layout



# E030 (4.5mm pitch crimp terminal)

## Reference Informations:

- \*Thickness: 0.20mm
- \*Mat'l: Brass Tin Plated
- \*Mates With: E130 series Terminal
- \*Accepts With: E030H series Housing



## Ordering Information & Specifications

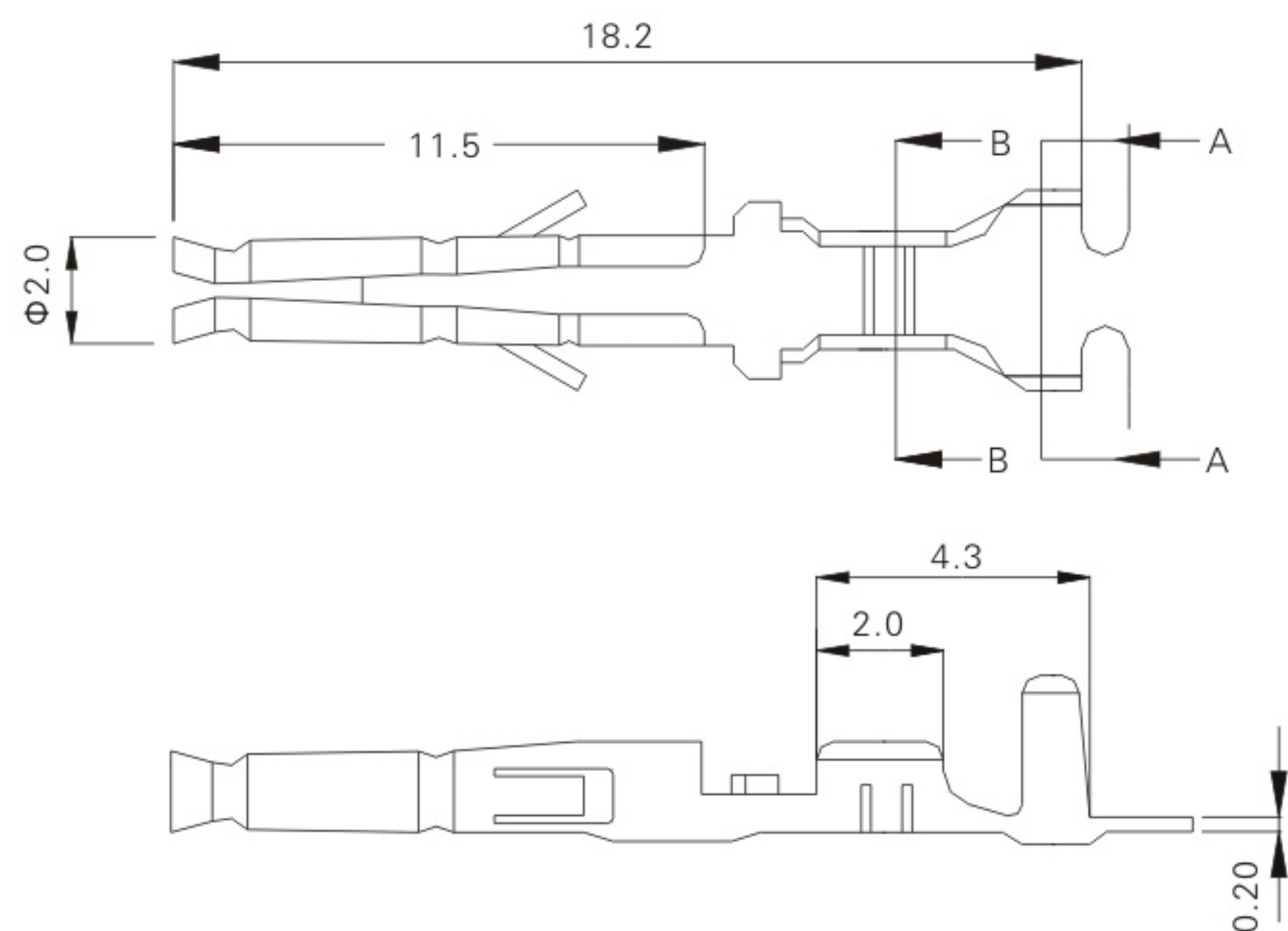
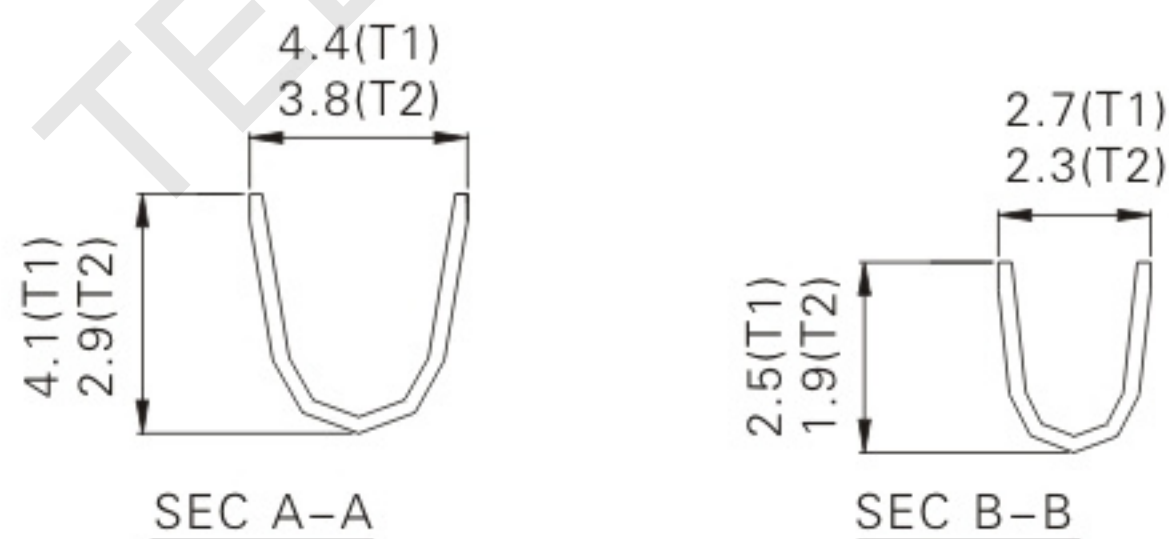
Unit: mm

Part No.	Wire Range	Insulation O.D.	Material	Finish	Qty/reel
E030T1	#16-20	$\Phi 1.9-3.4$	Brass	Tin-plated	5000
E030T2	#20-26	$\Phi 1.3-2.7$	Brass	Tin-plated	7000

# E130 (4.5mm pitch crimp terminal)

## Reference Informations:

- \*Thickness: 0.20mm
- \*Mat'l: Brass Tin Plated
- \*Mates With: E030 series Terminal
- \*Accepts With: E130H series Housing



## Ordering Information & Specifications

Unit: mm

Part No.	Wire Range	Insulation O.D.	Material	Finish	Qty/reel
E130T1	#16-20	$\Phi 1.9-3.4$	Brass	Tin-plated	5000
E130T2	#20-26	$\Phi 1.3-2.7$	Brass	Tin-plated	7000

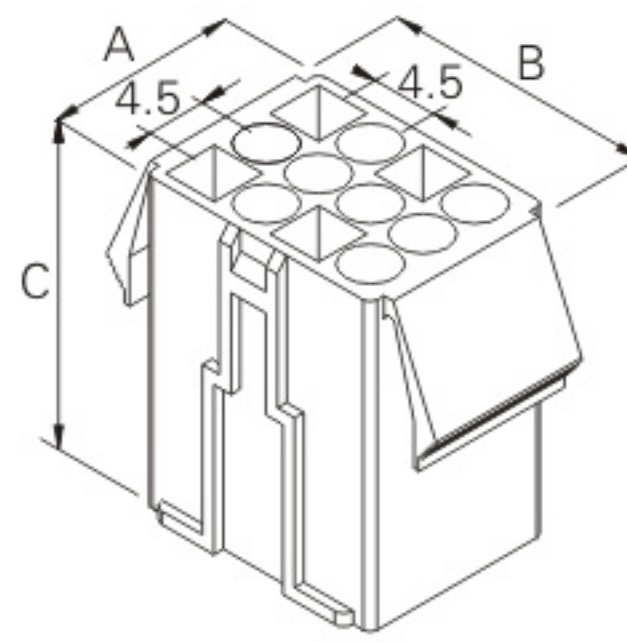
# E030H E030H-E (4.5mm pitch series housing)

## Reference Informations:

\*Mat'l: Nylon 66 UL94 V-0

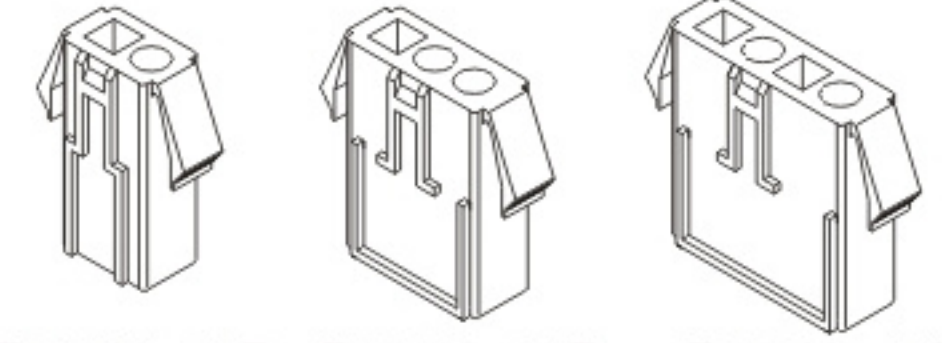
\*Mates With: E030  
Series Terminal

\*Mates With: E130H  
Series Housing

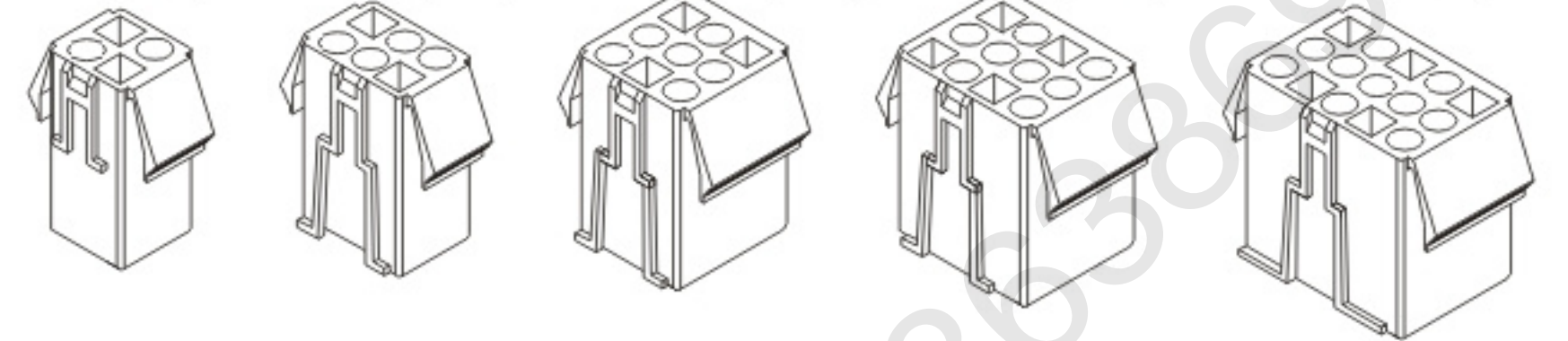


E030H-E  
E030

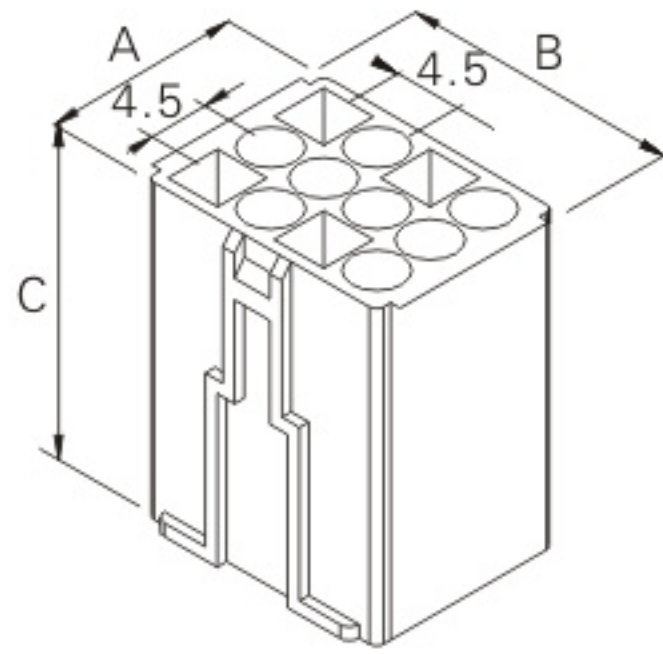
E030H-02E E030H-03E E030H-04E



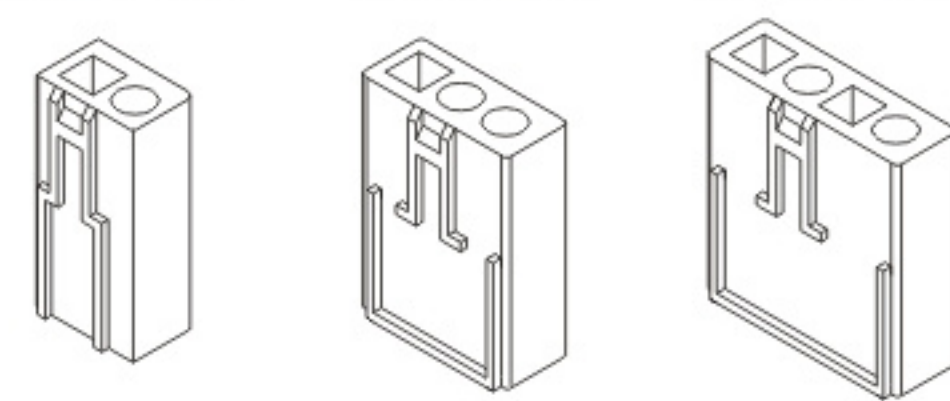
E030H-04E (2X2) E030H-06E (2X3) E030H-09E (3X3) E030H-12E (3X4) E030H-15E (3X5)



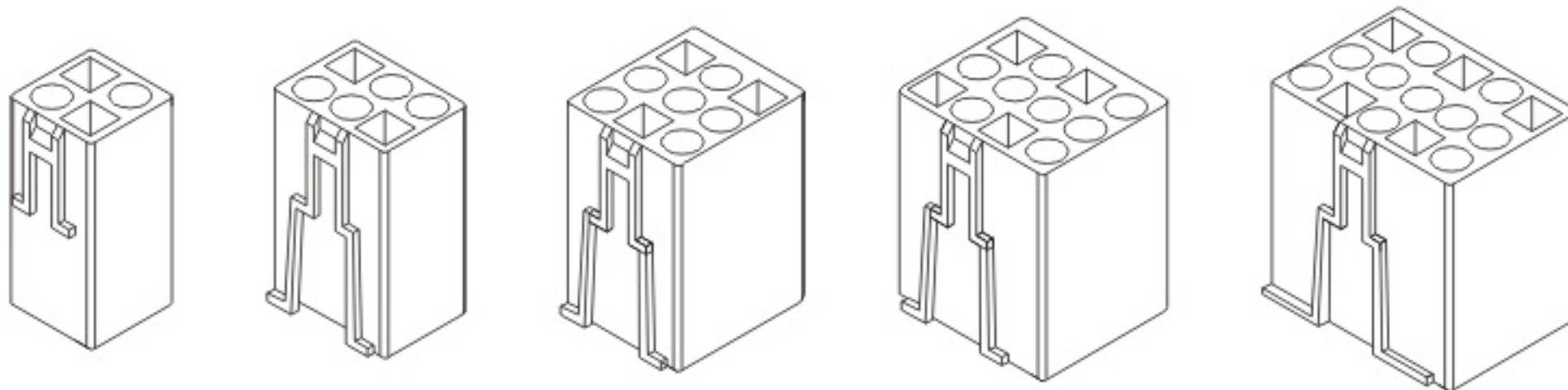
E030



E030H-02E E030H-03 E030H-04



E030H-04(2X2) E030H-06(2X3) E030H-09(3X3) E030H-12(3X4) E030H-15(3X5)



## Ordering Information & Dimensions

Circuits	Part No.	DIM.(mm)		
		A	B	C
02	E030H-02(1X2) E030H-02E	5.6	10.5	25.0
03	E030H-03(1X3) E030H-03E	5.6	15.0	25.0
04	E030H-04(1X4) E030H-04E	5.6	19.6	25.0
04	E030H-04(2X2) E030H-04E	10.3	10.5	25.0
06	E030H-06(2X3) E030H-06E	10.3	15.0	25.0
09	E030H-09(3X3) E030H-09E	14.7	15.0	25.0
12	E030H-12(3X4) E030H-12E	14.7	19.6	25.0
15	E030H-15(3X5) E030H-15E	14.7	24.2	25.0

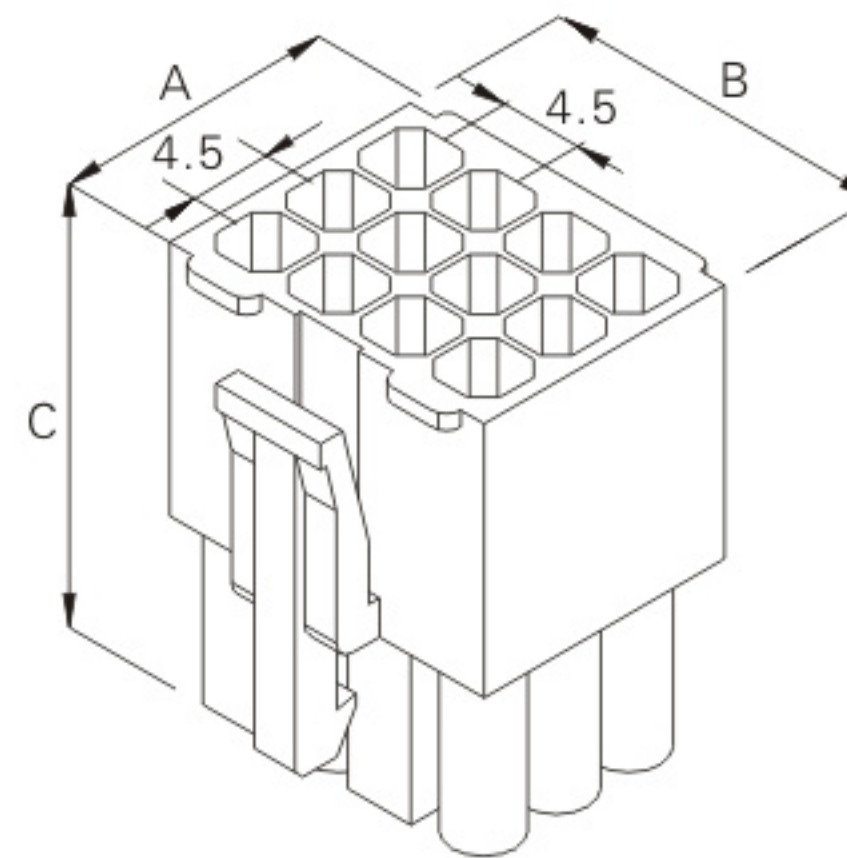
# E130H (4.5mm pitch series housing)

## Reference Informations:

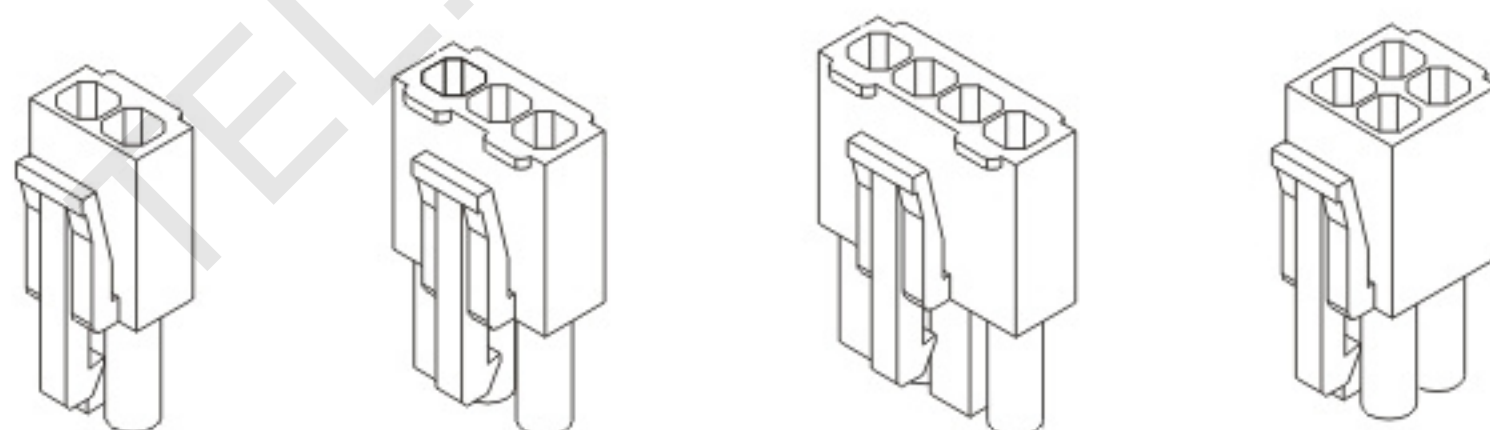
\*Mat'l: Nylon 66 UL94 V-0

\*Mates With: E130  
Series Terminal

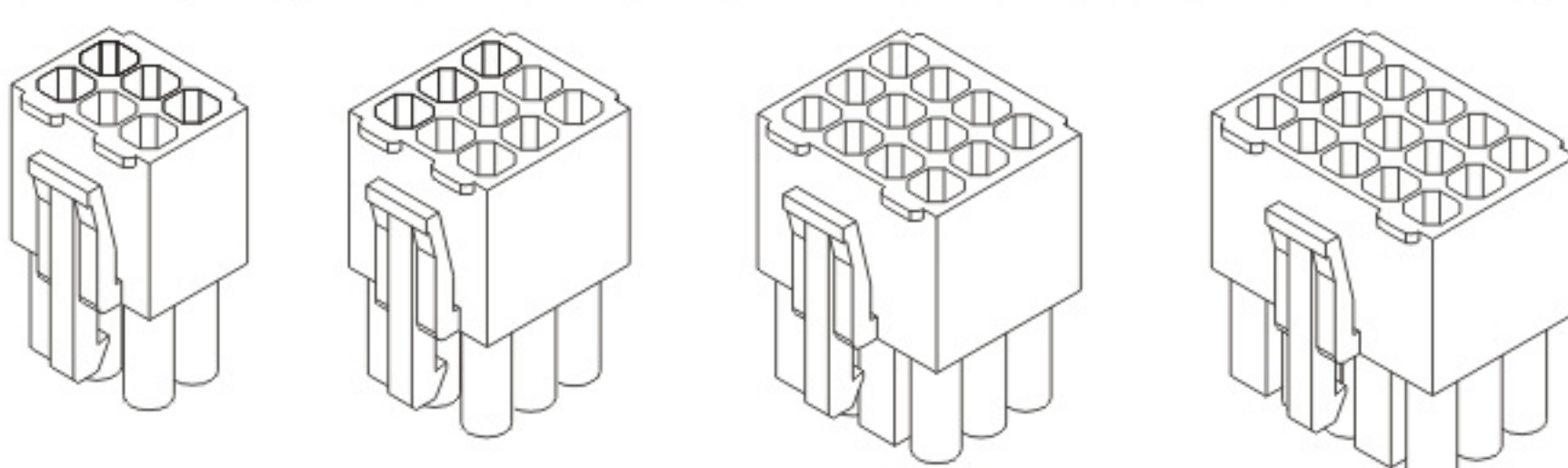
\*Mates With: E030H & E030H-E  
Series Housing



E130H-02E E130H-03 E130H-04 E130H-04(2X2)



E130H-06(2X3) E130H-09(3X3) E130H-12(3X4) E130H-15(3X5)



## Ordering Information & Dimensions

Circuits	Part No.	DIM.(mm)		
		A	B	C
02	E130H-02(1X2)	5.8	10.4	25.0
03	E130H-03(1X3)	5.8	15.0	25.0
04	E130H-04(1X4)	5.8	19.6	25.0
04	E130H-04(2X2)	10.3	10.5	25.0
06	E130H-06(2X3)	10.3	15.0	25.0
09	E130H-09(3X3)	14.8	15.0	25.0
12	E130H-12(3X4)	14.8	19.6	25.0
15	E130H-15(3X5)	14.8	24.2	25.0