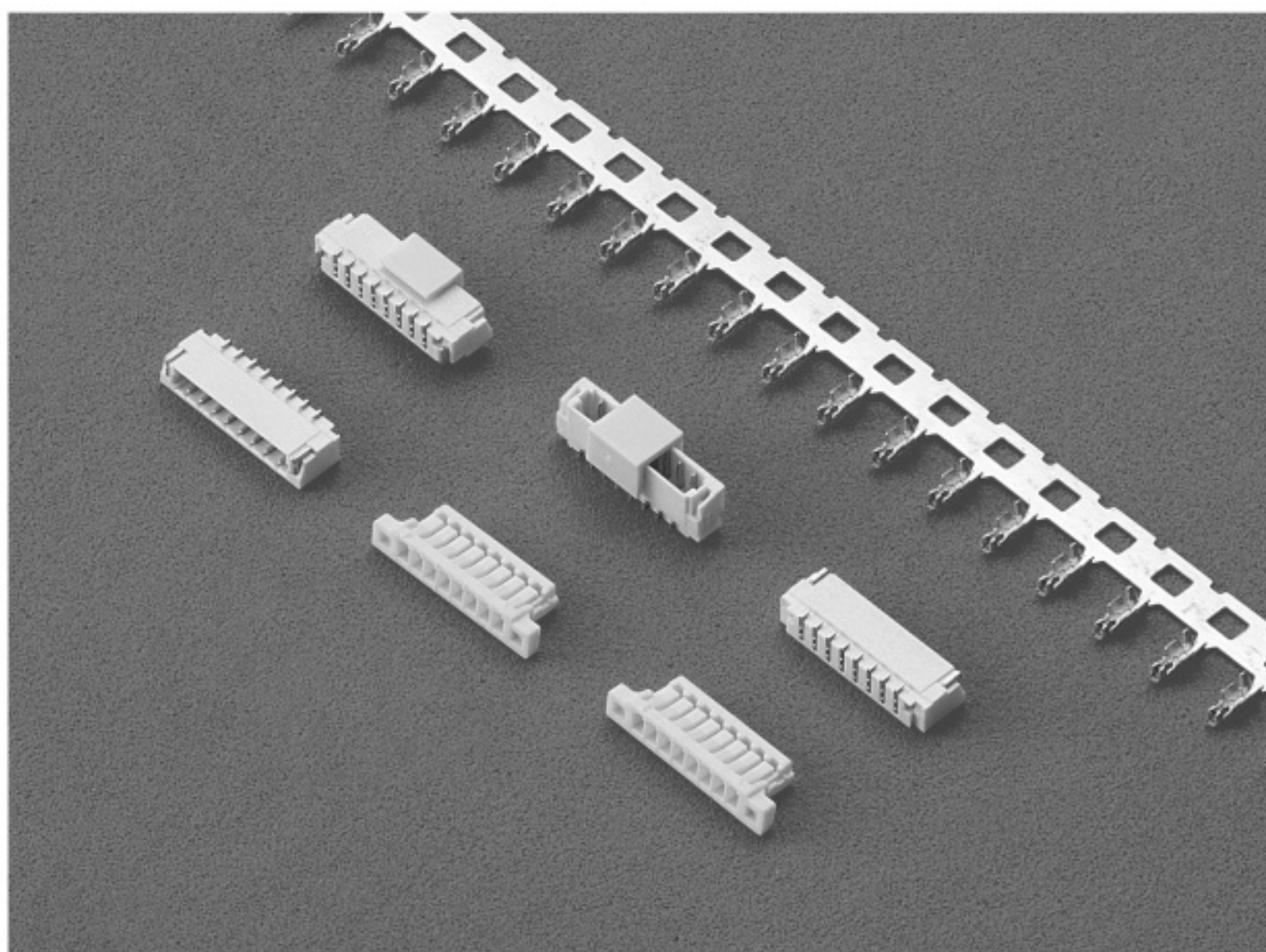


E0800H SERIES

0.80mm PITCH WIRE TO BOARD CONNECTOR



Specifications

Current rating: 0.5A AC,DC (AWG#32)

0.2AAC,DC(AWG#36)

Voltage rating: 30V AC,DC

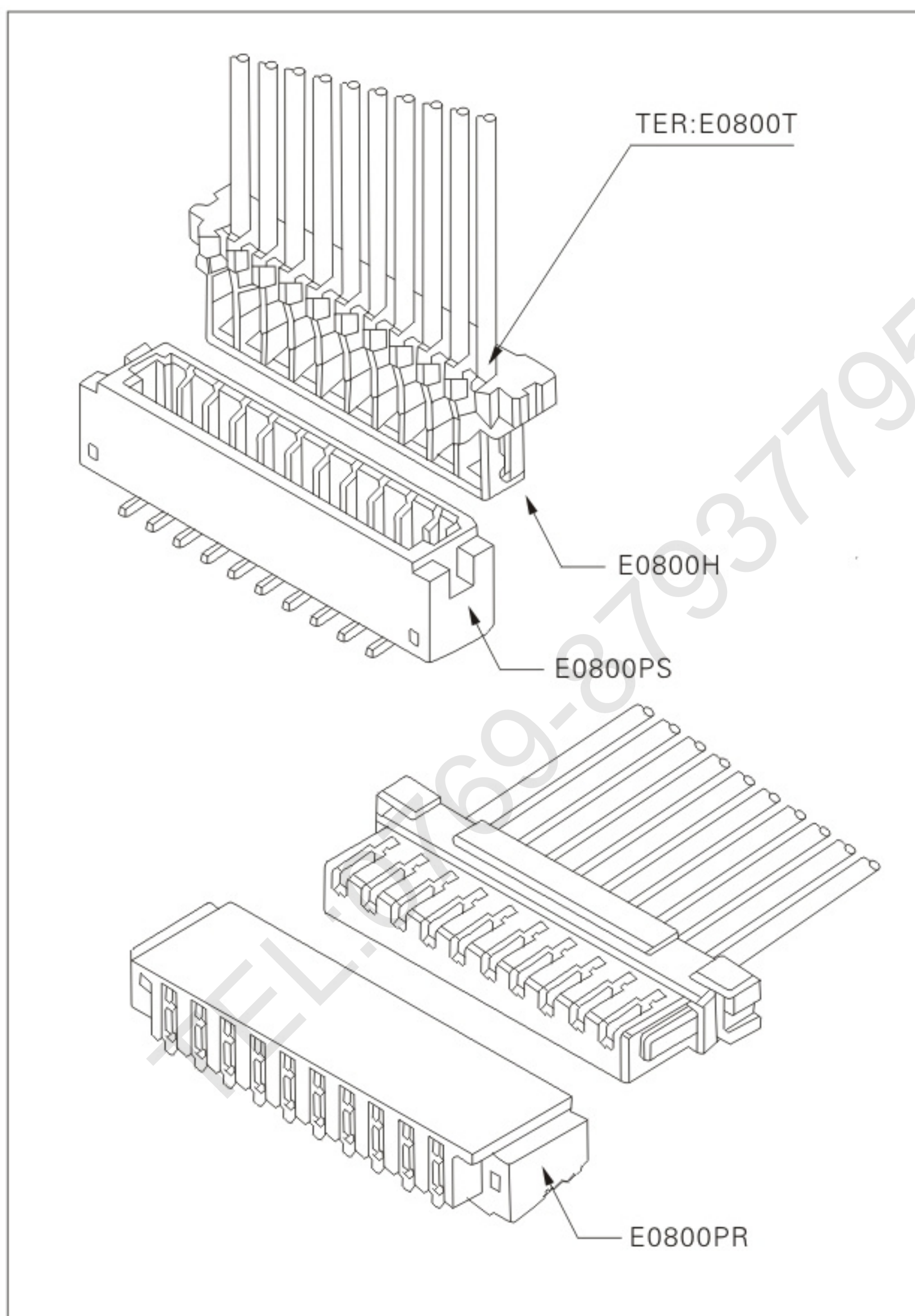
Temperature range: -25°C~+85°C

Contact resistance: 20mΩ Max.

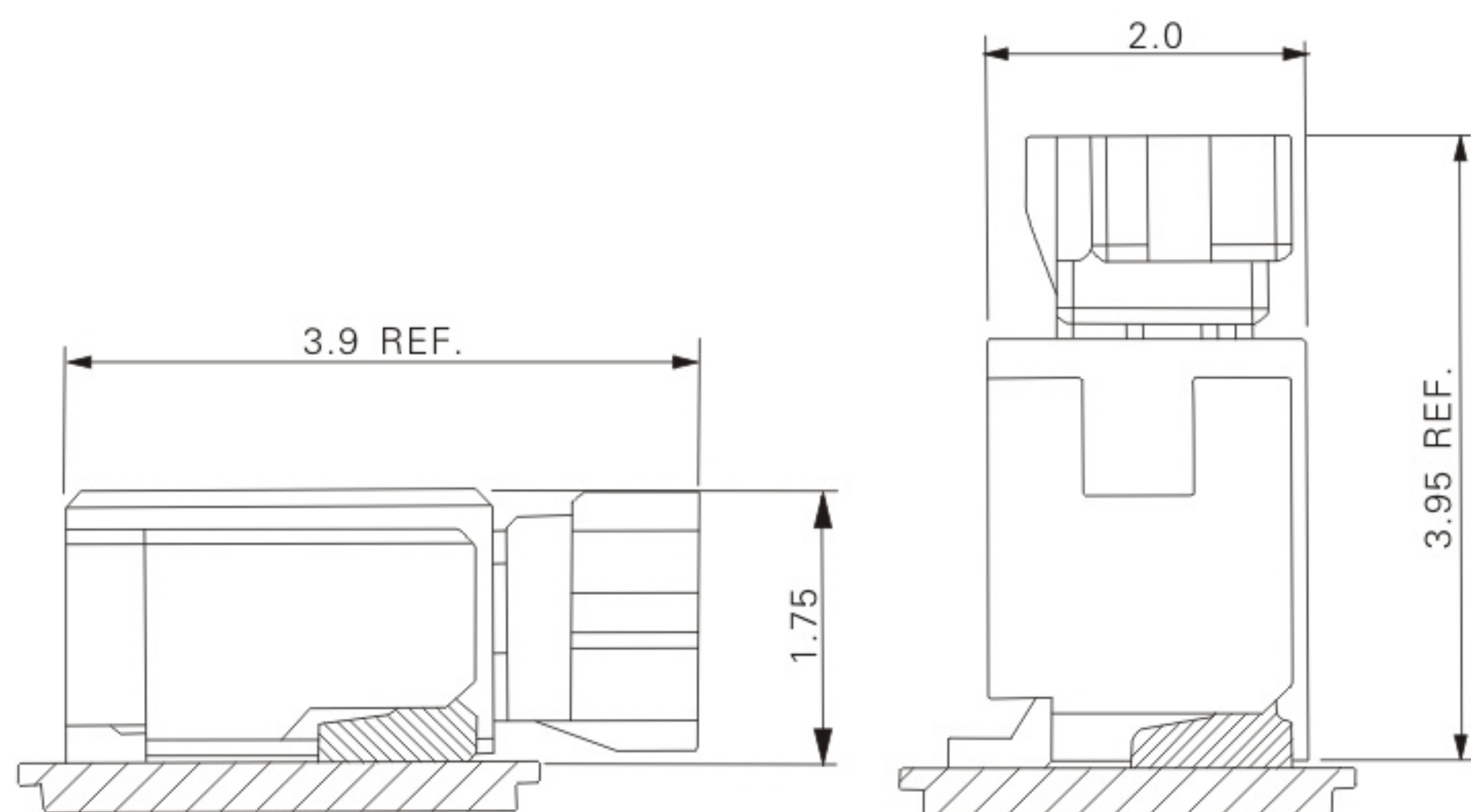
Insulation resistance: 100MΩ Min.

Withstanding voltage: 200V AC/minute

Applicable wire: AWG#32



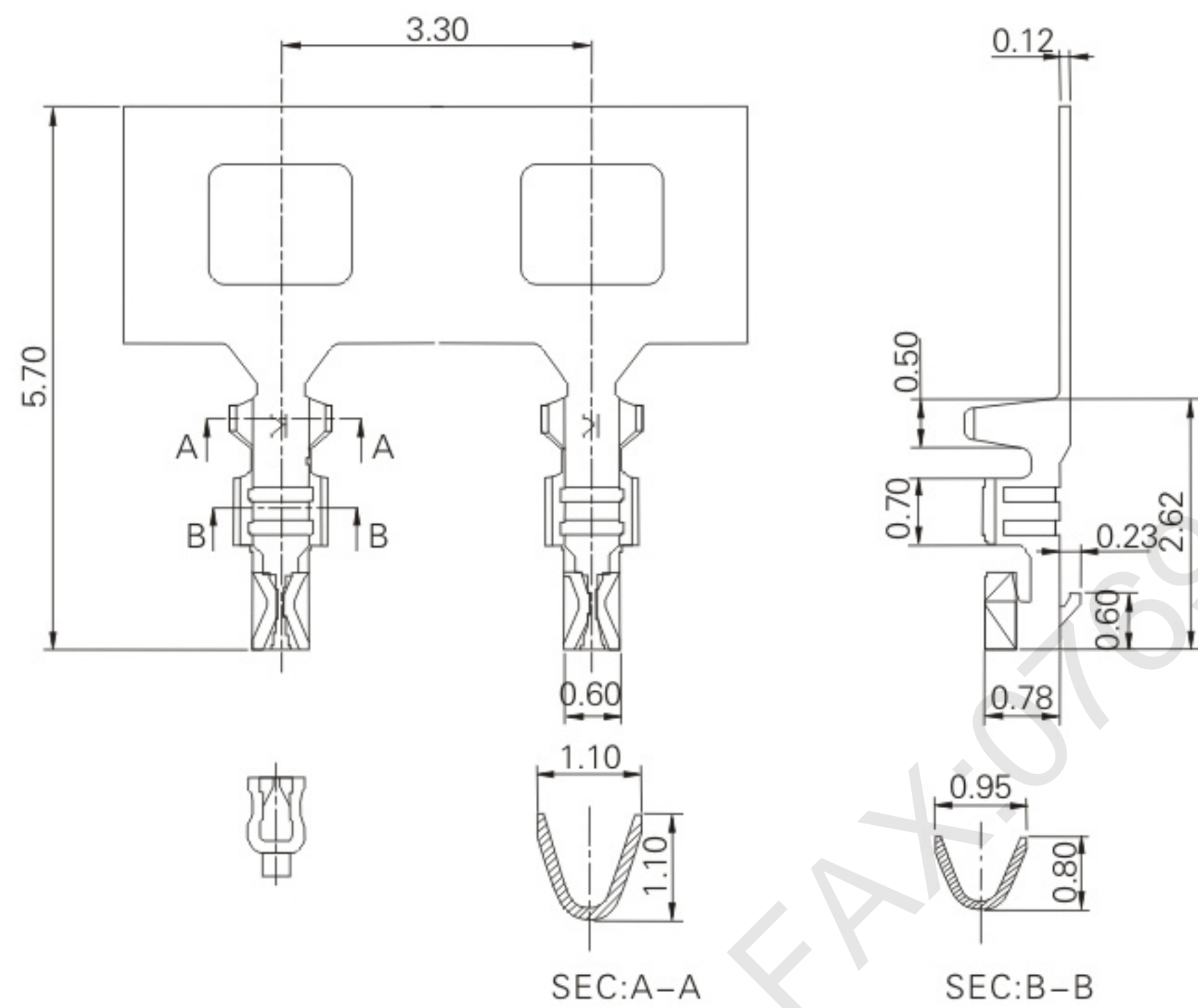
Assembly layout



E0800 (0.8mm pitch crimp terminal)

Reference Informations:

*Used in E0800H E0800H-N series Housing



Ordering Information & Specifications

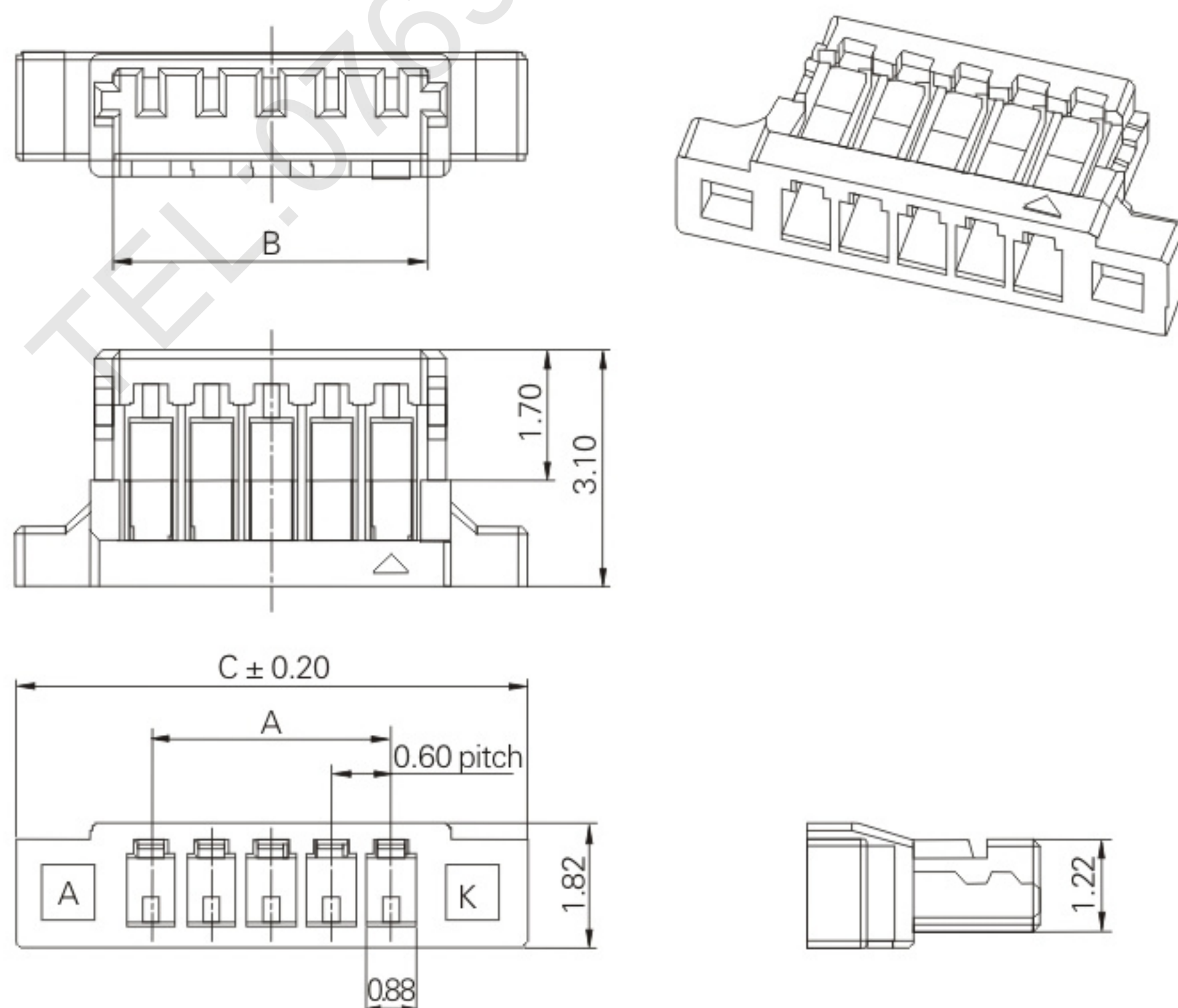
Part No.	Wire Range	Insulation O.D.	Material	Finish	Qty/reel
E0800P-00	AWG#32	0.60mm max	Phosphor Bronze	Gold Plated over Nickel	30,000pcs

E0800H-NP (0.80mm pitch crimp housing)

Reference Informations:

*Insulator: Nylon 46 UL94V-0

*Suitable: E0800-T series Terminal



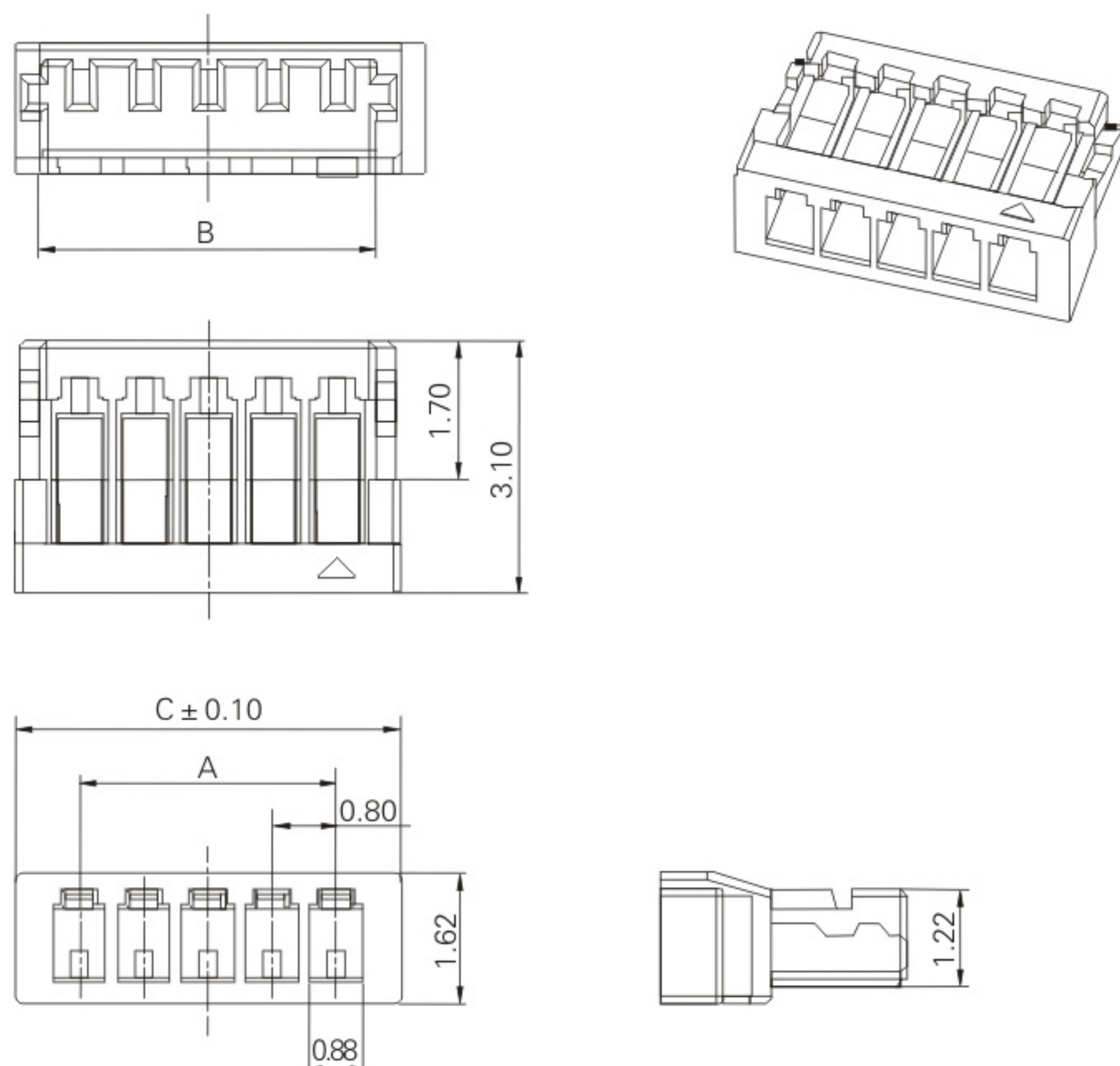
Ordering Information & Specifications:

Circuits	Part No.	DIM.(mm)		
		A	B	C
02	E0800H-02P	0.80	1.80	4.40
03	E0800H-03P	1.60	2.60	5.20
04	E0800H-04P	2.40	3.40	6.00
05	E0800H-05P	3.20	4.20	6.80
06	E0800H-06P	4.00	5.00	7.60
07	E0800H-07P	4.80	5.80	8.40
08	E0800H-08P	5.60	6.60	9.20
09	E0800H-09P	6.40	7.40	10.00
10	E0800H-10P	7.20	8.20	10.80
11	E0800H-11P	8.00	9.00	11.60
12	E0800H-12P	8.80	9.80	12.40
13	E0800H-13P	9.60	10.60	13.20
14	E0800H-14P	10.40	11.40	14.00
15	E0800H-15P	11.20	12.20	14.80
16	E0800H-16P	12.00	13.00	15.60
20	E0800H-20P	15.20	18.20	18.80

E0800H-NP-N (0.80mm pitch crimp housing–without protrusions)

Reference Informations:

- *Insulator: Nylon48 UL94v-0
- *Suitable: E0800-T series Terminal



Ordering Information & Specifications:

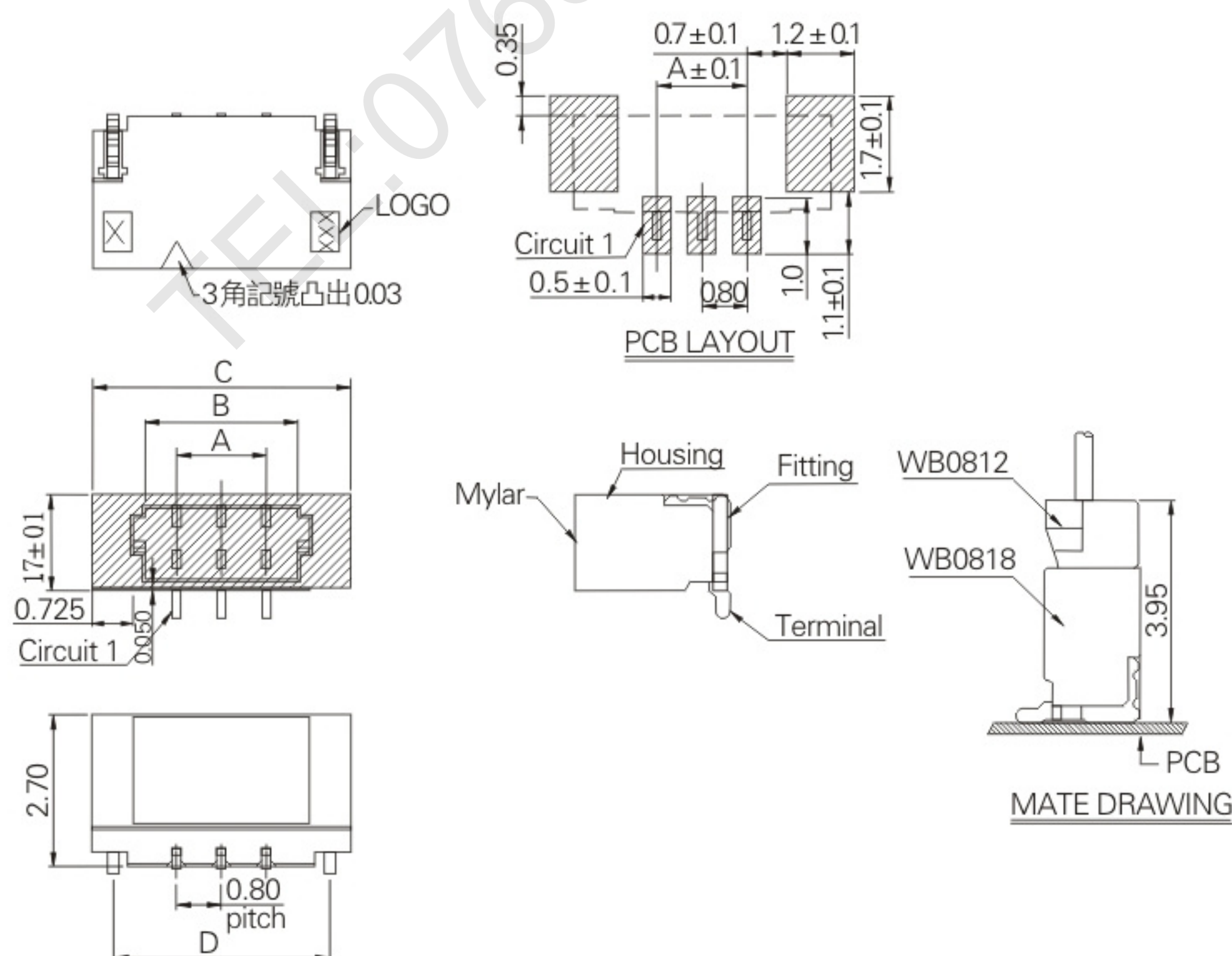
Circuits	Part No.	DIM.(mm)		
		A	B	C
02	E0800H-02P-N	0.80	1.80	2.40
03	E0800H-03P-N	1.60	2.60	3.20
04	E0800H-04P-N	2.40	3.40	4.00
05	E0800H-05P-N	3.20	4.20	4.80
06	E0800H-06P-N	4.00	5.00	5.80
07	E0800H-07P-N	4.80	5.80	6.40
08	E0800H-08P-N	5.60	6.60	7.20
09	E0800H-09P-N	6.40	7.40	8.00
10	E0800H-10P-N	7.20	8.20	8.60
11	E0800H-11P-N	8.00	9.00	9.60
12	E0800H-12P-N	8.80	9.80	10.40
13	E0800H-13P-N	9.60	10.60	11.20
14	E0800H-14P-N	10.40	11.40	12.00
15	E0800H-15P-N	11.20	12.20	12.80
16	E0800H-16P-N	12.00	13.00	13.60
20	E0800H-20P-N	15.20	18.20	16.80

E0800PS-NP-SMT (0.8mm pitch 180° wafer–SMT TYPE)

Reference Informations:

- *Material: Housing: Halogen Free PLASTIC, High Temp. UL94V-0
- Terminal: Phosphor Bronze (t=0.15)
- Fitting Nail: Brass (t=0.2)
- *Mates with E0800H series

Ordering Information & Dimensions



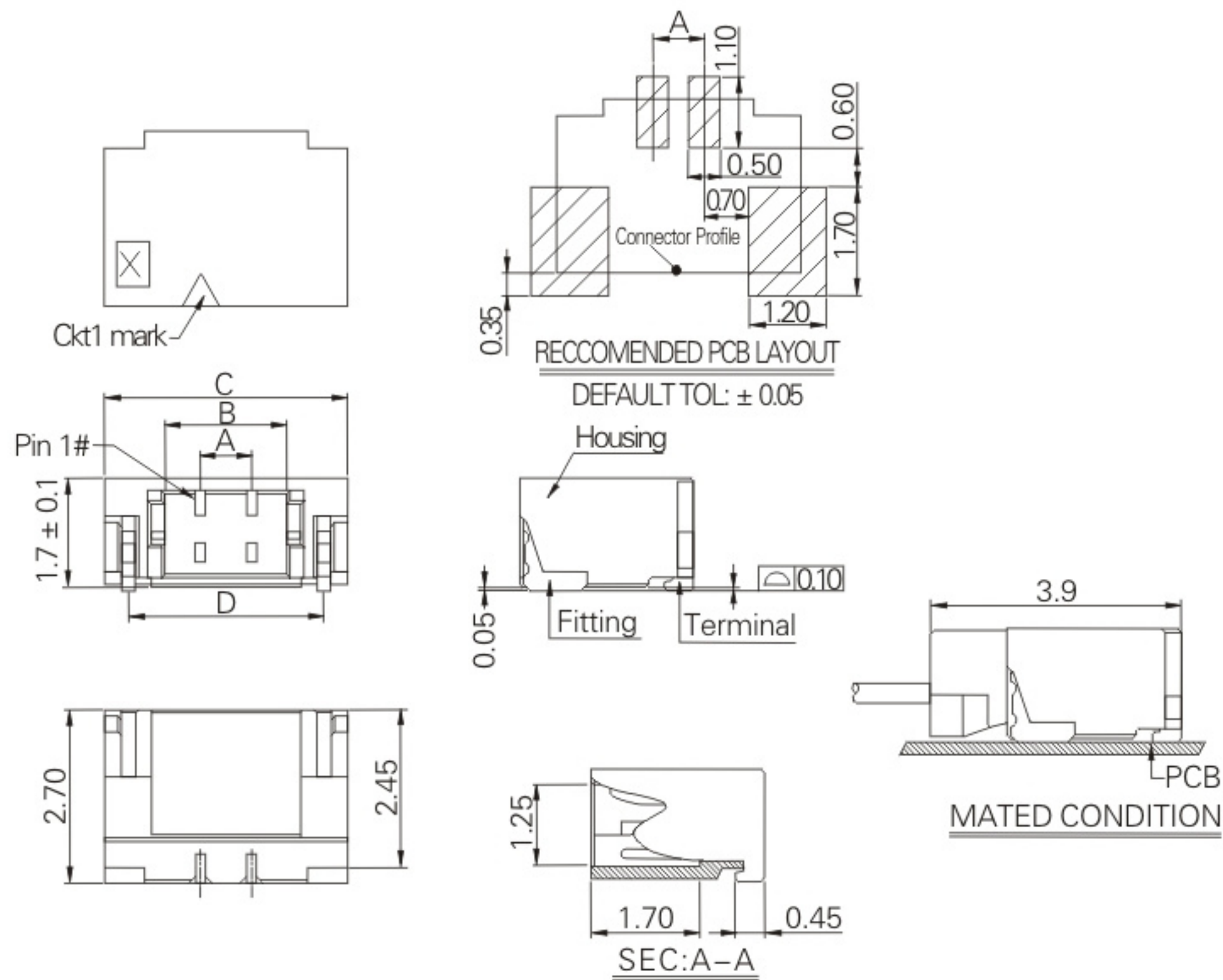
Circuits	Part No.	DIM.(mm)			
		A	B	C	D
02	E0800PS-02-SMT	0.80	1.90	3.78	3.04
03	E0800PS-03-SMT	1.60	2.70	4.58	3.84
04	E0800PS-04-SMT	2.40	3.50	5.38	4.64
05	E0800PS-05-SMT	3.20	4.30	6.18	5.44
06	E0800PS-06-SMT	4.00	5.10	6.98	6.24
07	E0800PS-07-SMT	4.80	5.90	7.78	7.04
08	E0800PS-08-SMT	5.60	6.70	8.58	7.84
09	E0800PS-09-SMT	6.40	7.50	9.38	8.64
10	E0800PS-10-SMT	7.20	8.30	10.18	9.44
11	E0800PS-11-SMT	8.00	9.10	10.98	10.24
12	E0800PS-12-SMT	8.80	9.90	11.78	11.04
13	E0800PS-13-SMT	9.60	10.70	12.58	11.84
14	E0800PS-14-SMT	10.40	11.50	13.38	12.64
15	E0800PS-15-SMT	11.20	12.30	14.18	13.44
16	E0800PS-16-SMT	12.00	13.10	14.98	14.24
17	E0800PS-17-SMT	12.80	13.90	15.78	15.04
18	E0800PS-18-SMT	13.60	14.70	16.58	15.84
19	E0800PS-19-SMT	14.40	15.50	17.38	16.64
20	E0800PS-20-SMT	15.20	16.30	18.18	17.44

E0800PR-NP-SMT (0.8mm pitch 90° wafer-SMT TYPE)

Reference Informations:

*Material:Housing: Thermalplastic (UL94V-0)
 Terminal: Phosphor Bronze (t=0.15)
 Fitting Nail: Brass(t=0.2)

*Mates with E0800H E0800H-N series



Ordering Information & Dimensions

Circuits	Part No.	DIM.(mm)			
		A	B	C	D
02	E0800PR-02-SMT	0.80	1.90	3.78	3.04
03	E0800PR-03-SMT	1.60	2.70	4.58	3.84
04	E0800PR-04-SMT	2.40	3.50	5.38	4.64
05	E0800PR-05-SMT	3.20	4.30	6.18	5.44
06	E0800PR-06-SMT	4.00	5.10	6.98	6.24
07	E0800PR-07-SMT	4.80	5.90	7.78	7.04
08	E0800PR-08-SMT	5.60	6.70	8.58	7.84
09	E0800PR-09-SMT	6.40	7.50	9.38	8.64
10	E0800PR-10-SMT	7.20	8.30	10.18	9.44
11	E0800PR-11-SMT	8.00	9.10	10.98	10.24
12	E0800PR-12-SMT	8.80	9.90	11.78	11.04
13	E0800PR-13-SMT	9.60	10.70	12.58	11.84
14	E0800PR-14-SMT	10.40	11.50	13.38	12.64
15	E0800PR-15-SMT	11.20	12.30	14.18	13.44
16	E0800PR-16-SMT	12.00	13.10	14.98	14.24
17	E0800PR-17-SMT	12.80	13.90	15.78	15.04
18	E0800PR-18-SMT	13.60	14.70	16.58	15.84
19	E0800PR-19-SMT	14.40	15.50	17.38	16.64
20	E0800PR-20-SMT	15.20	16.30	18.18	17.44

TEL:0769-87937795