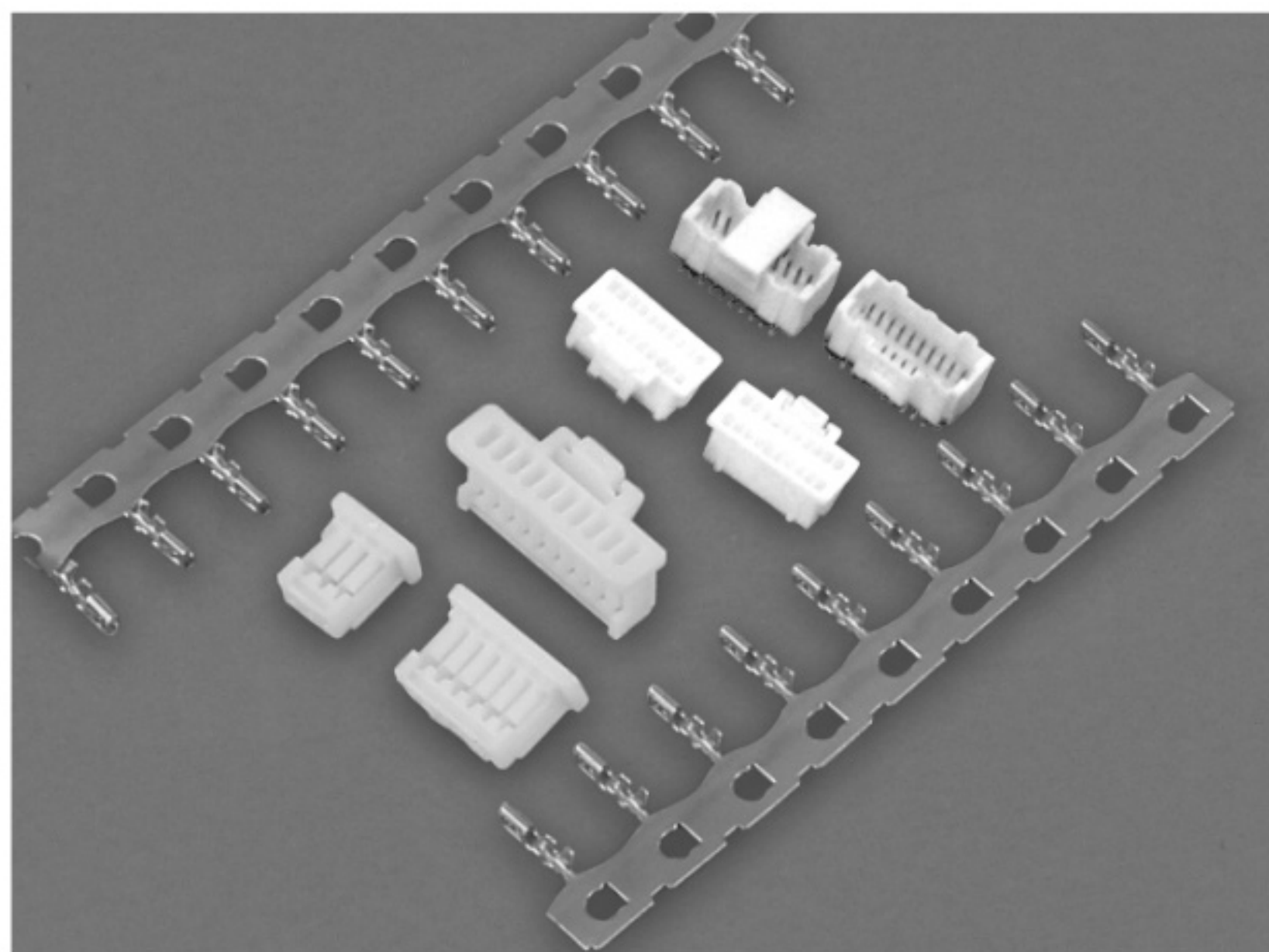


E1003H SERIES

1.00mm PITCH WIRE TO BOARD CONNECTOR



Specifications

Current rating: 1A AC, DC

Voltage rating: 50V AC, DC

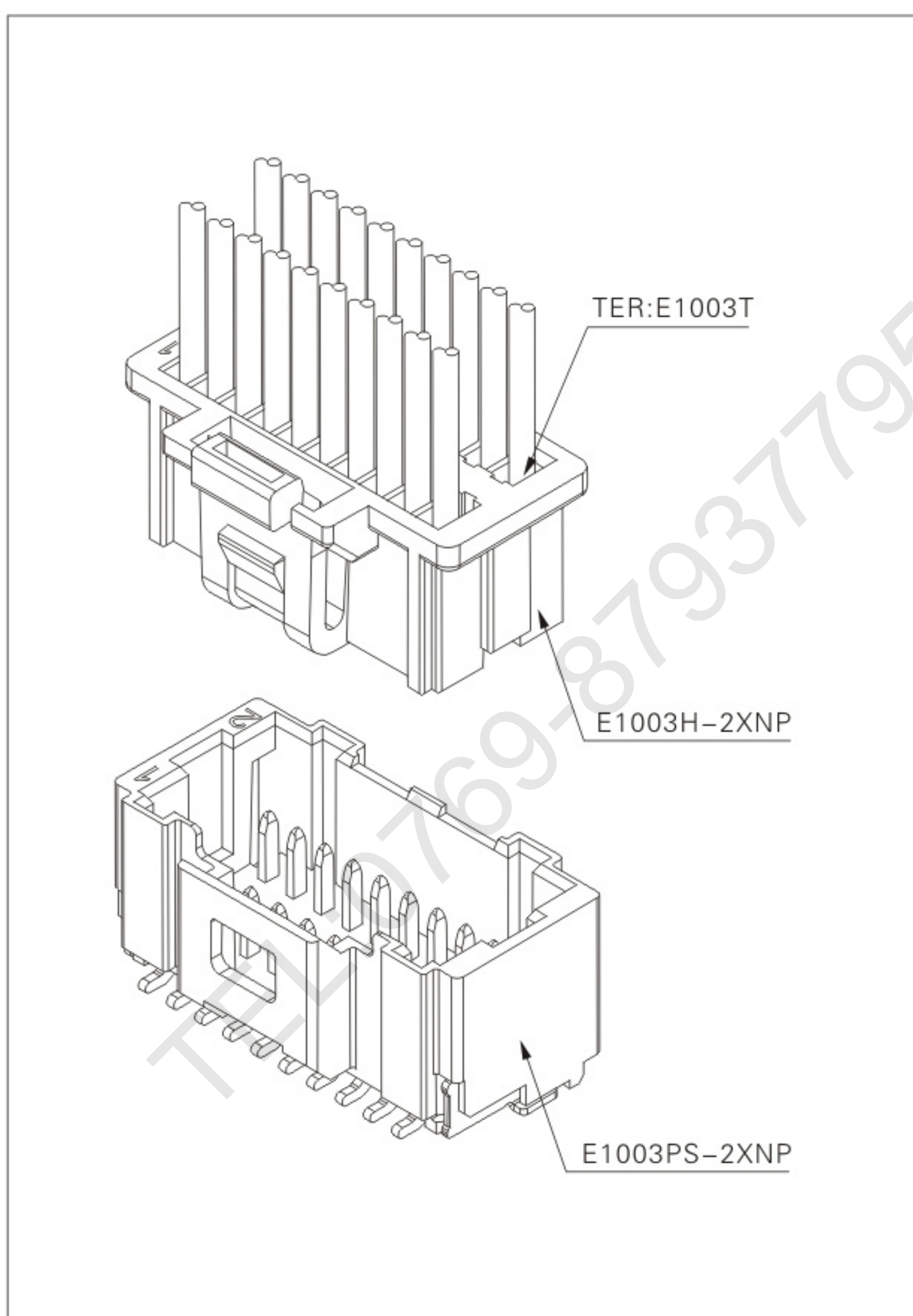
Temperature range: -25°C ~ +85°C

Contact resistance: 20mΩ Max.

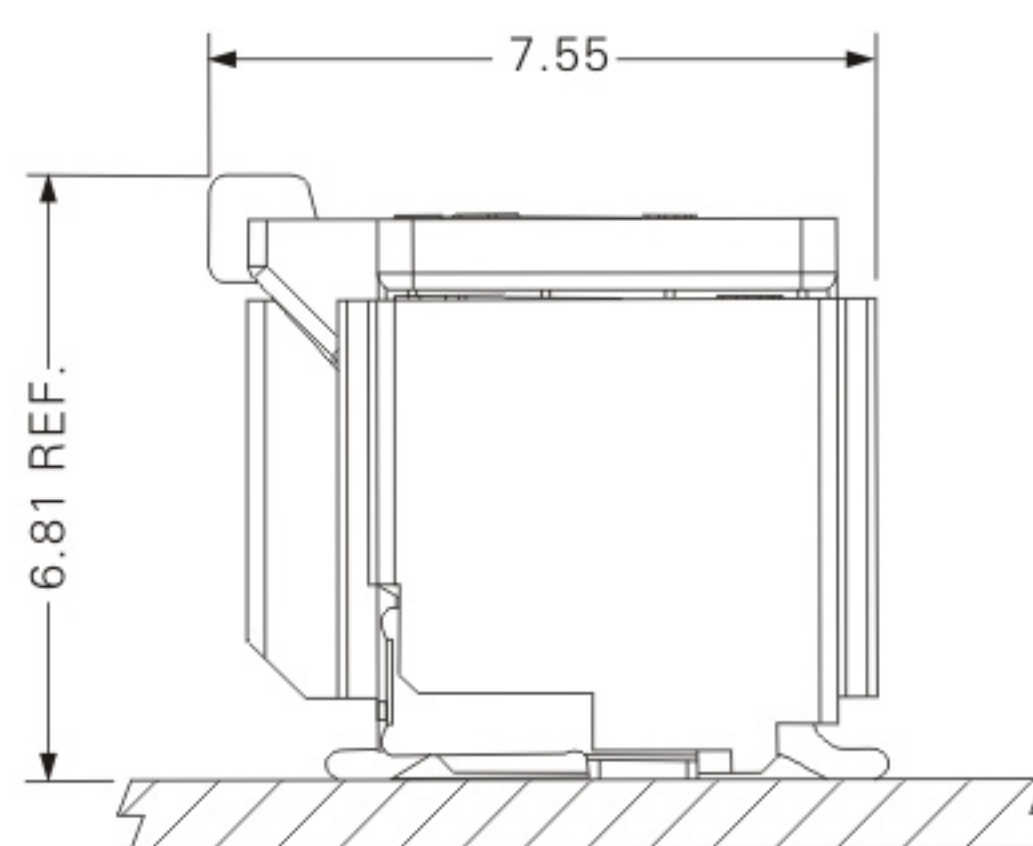
Insulation resistance: 100MΩ Min.

Withstanding voltage: 250V AC/minute

Applicable wire: AWG#28-#32



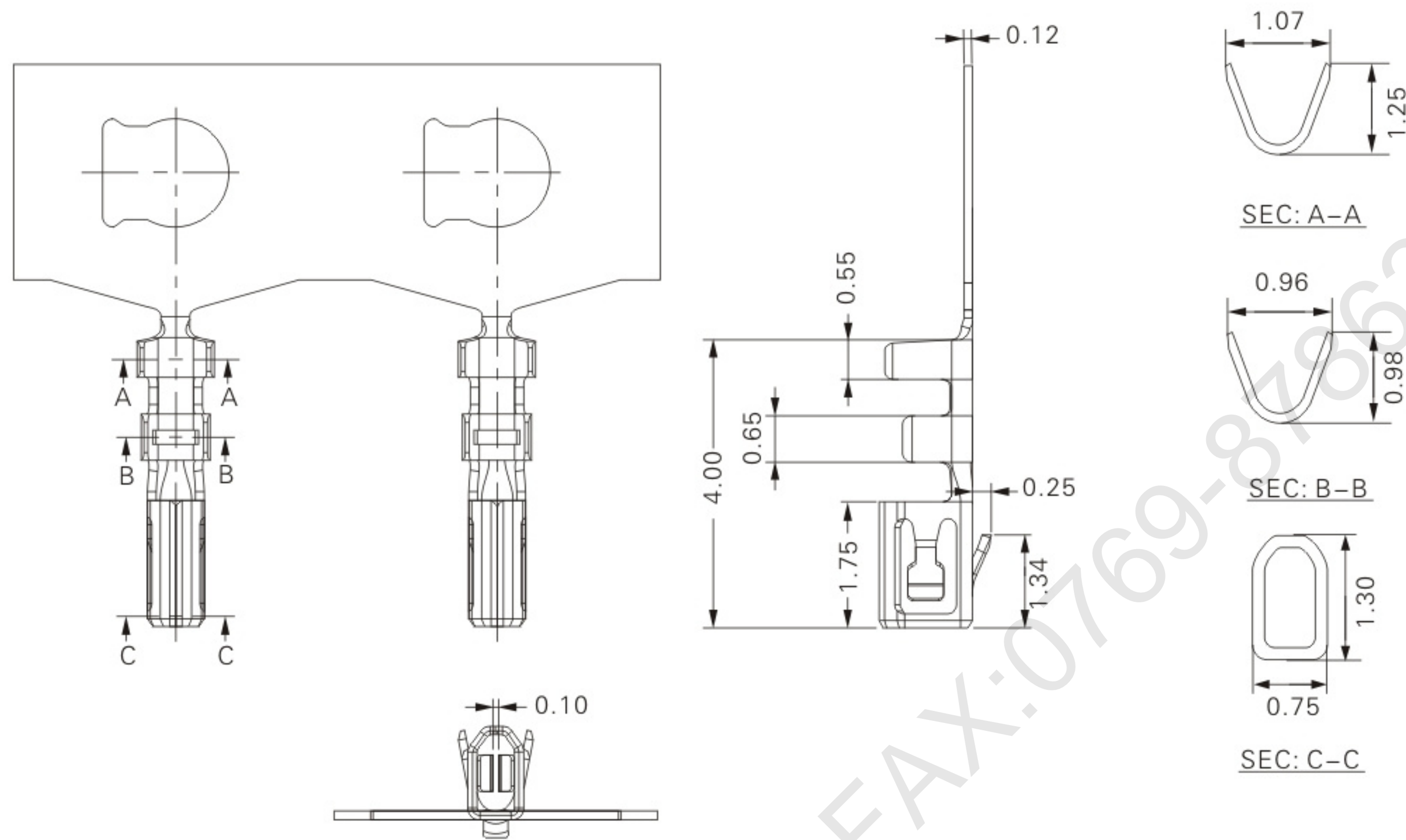
Assembly layout



E1003-T (1.00mm pitch crimp terminal)

Reference Informations:

*Used in E1003H series Housing



Ordering Information & Specifications:

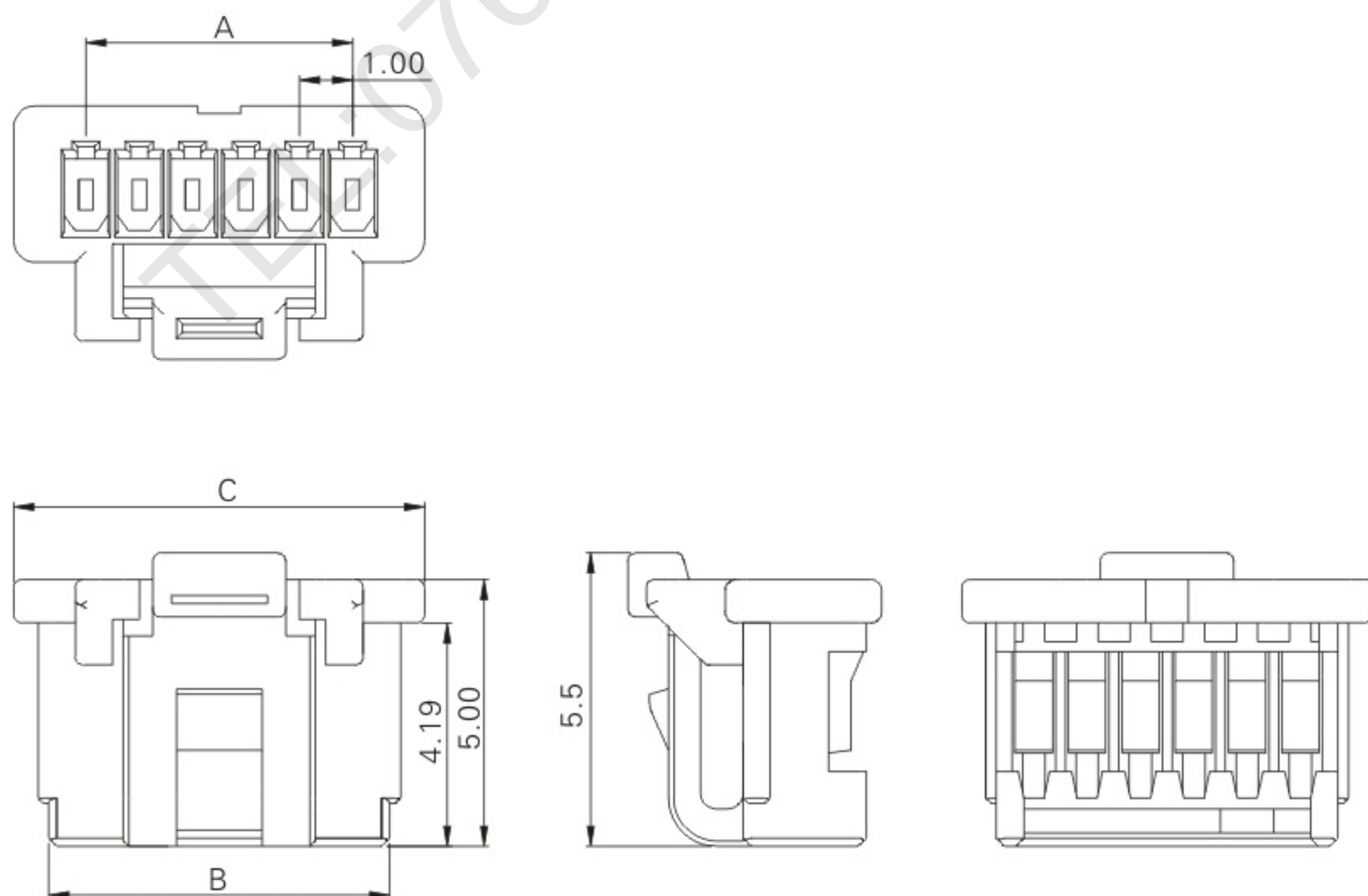
Unit: mm

Part No.	Wire Range	Insulation O.D.	Material	Finish	Qty/reel
E1003P-00	AWG#28-#32	0.80mm(max)	Phosphor Bronze	Gold-flash	15,000pcs

E1003H-NP (1.00mm pitch single row housing)

Reference Informations:

- *Material: Nylon66 UL94V-0
- *Suitable E1003-T series Terminal
- *Mates with E1003H series single row Wafer



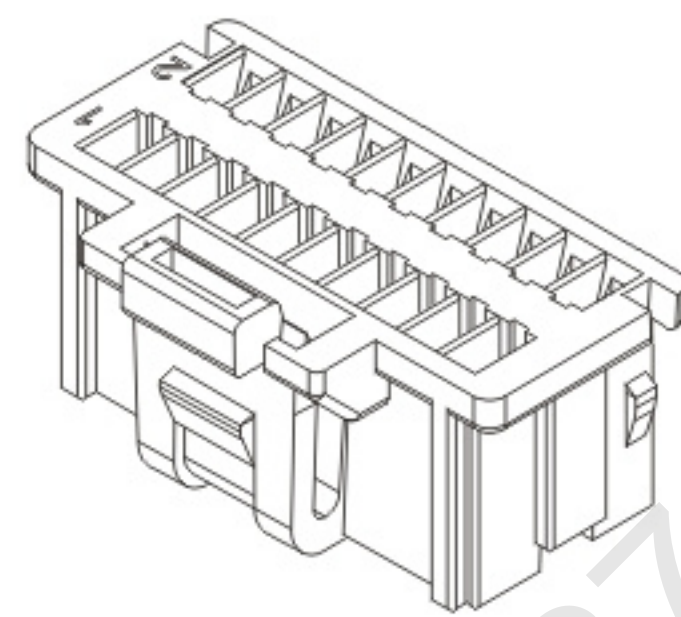
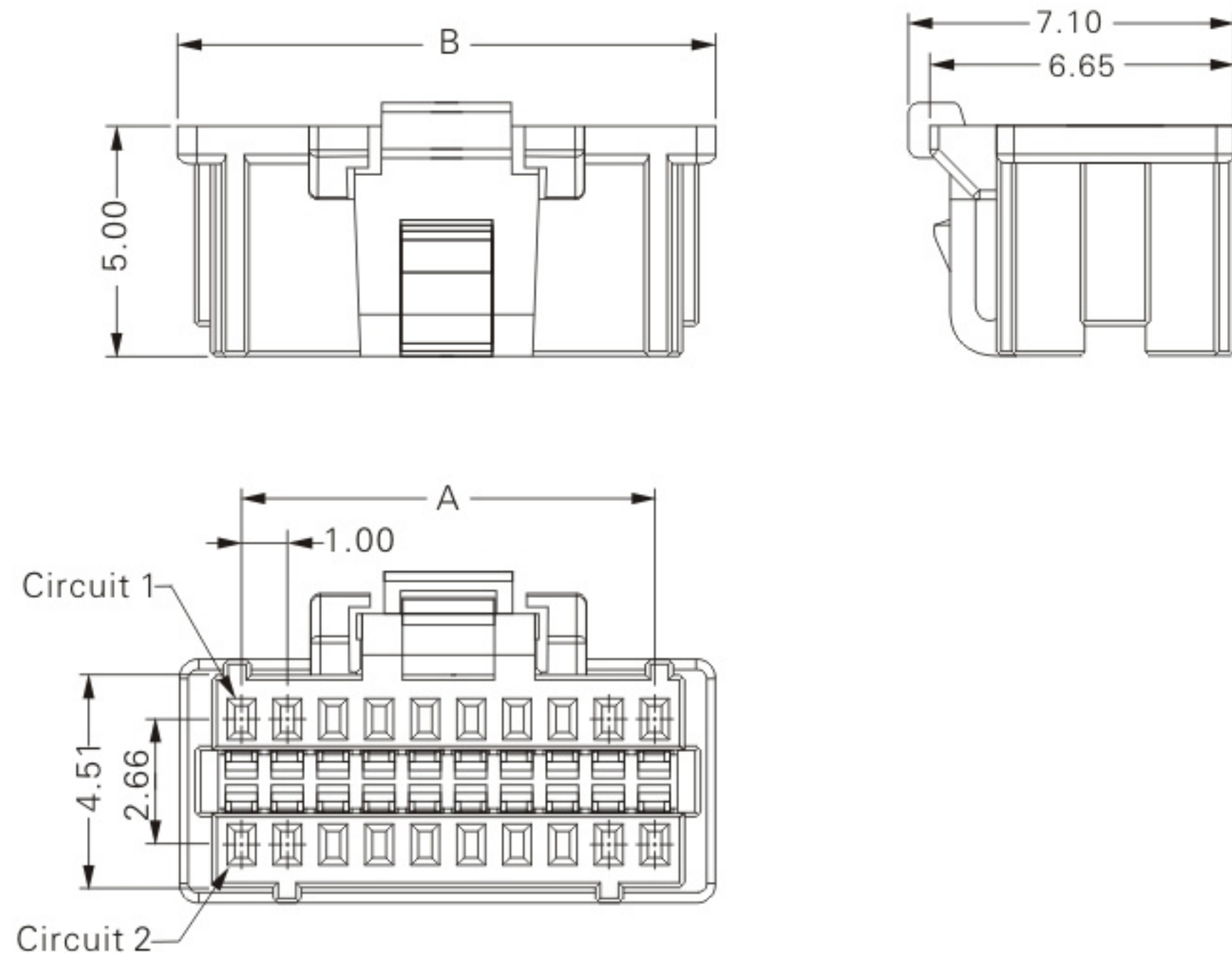
Ordering Information & Specifications:

Circuits	Part No.	DIM.(mm)		
		A	B	C
6	E1003H-06P	5.0	6.4	7.7
7	E1003H-07P	6.0	7.4	8.7
8	E1003H-08P	7.0	8.4	9.7
9	E1003H-09P	8.0	9.4	10.7
10	E1003H-10P	9.0	10.4	11.7
11	E1003H-11P	10.0	11.4	12.7
12	E1003H-12P	11.0	12.4	13.7
13	E1003H-13P	12.0	13.4	14.7
14	E1003H-14P	13.0	14.4	15.7
15	E1003H-15P	14.0	15.4	16.7

E1003H-2XNP (1.00mm pitch dual row housing)

Reference Informations:

- *Material: Nylon66 UL94V-0
- *Suitable E1003-T series Terminal
- *Mates with E1003H series dual row Wafer



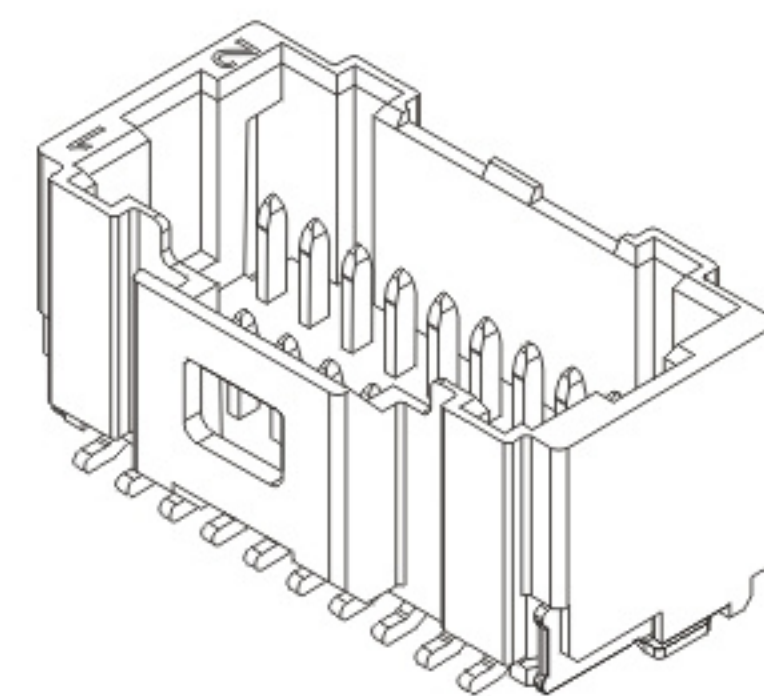
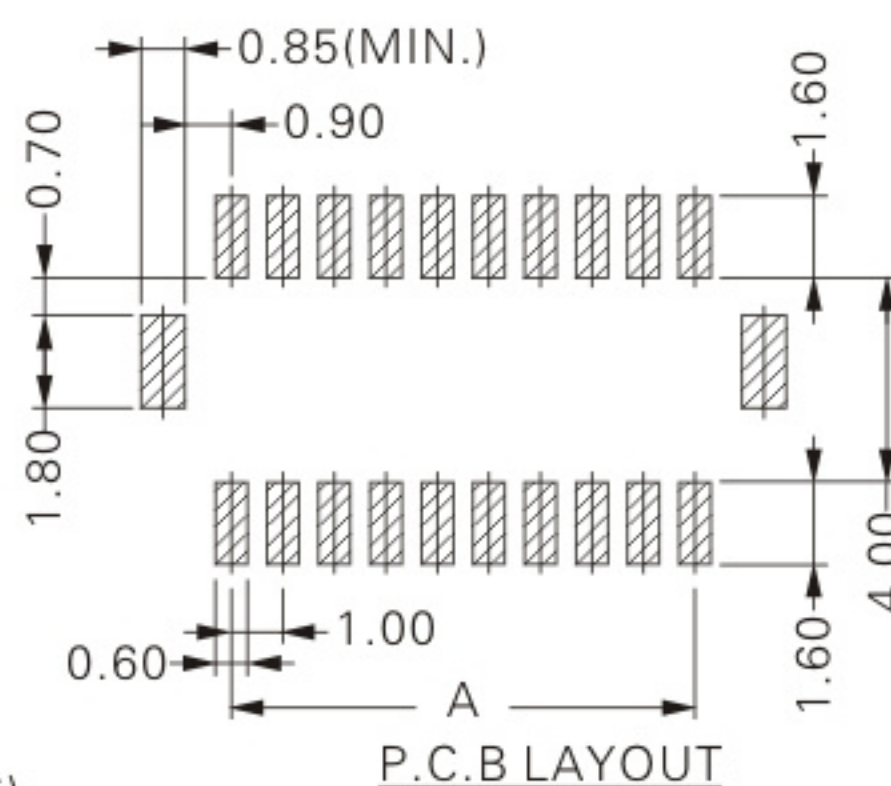
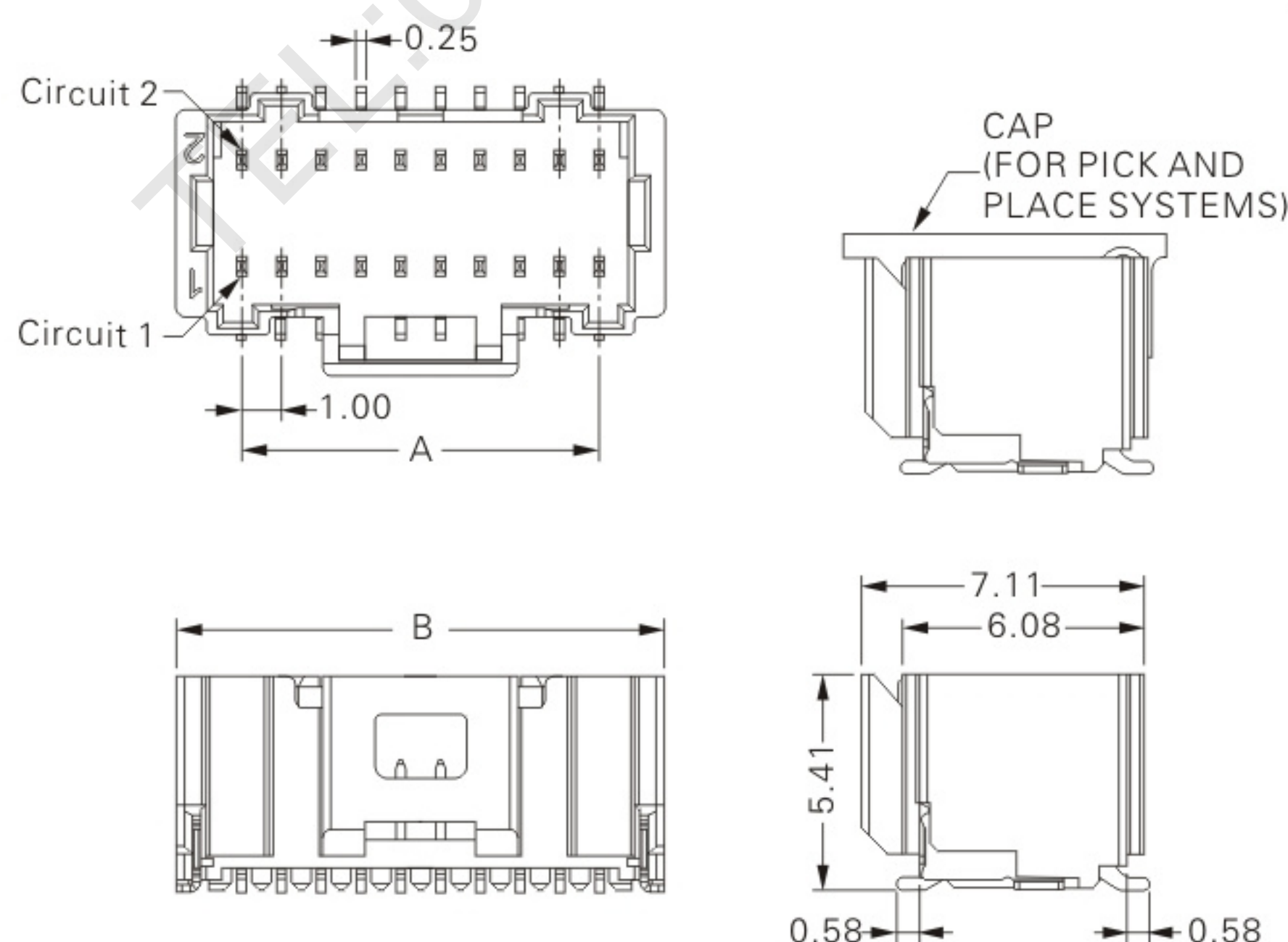
Ordering Information & Specifications:

Circuits	Part No.	DIM.(mm)	
		A	B
16	E1003H-2X08P	7.00	9.70
20	E1003H-2X10P	9.00	11.70
30	E1003H-2X15P	14.00	16.70
32	E1003H-2X16P	15.00	17.70
40	E1003H-2X20P	19.00	21.70
50	E1003H-2X25P	24.00	26.70

E1003PS-2XNP-SMT (1.00mm pitch 180o dual row wafer-SMT TYPE)

Reference Informations:

- *Material : Pin: Phosphor Bronze/Gold-plated
Solder Tabs: Brass/Tin-plated
Wafer: Nylon 6T,UL94V-0
Cap: Nylon 6T,UL94V-0
- *Mates with E1003H series dual row Housing



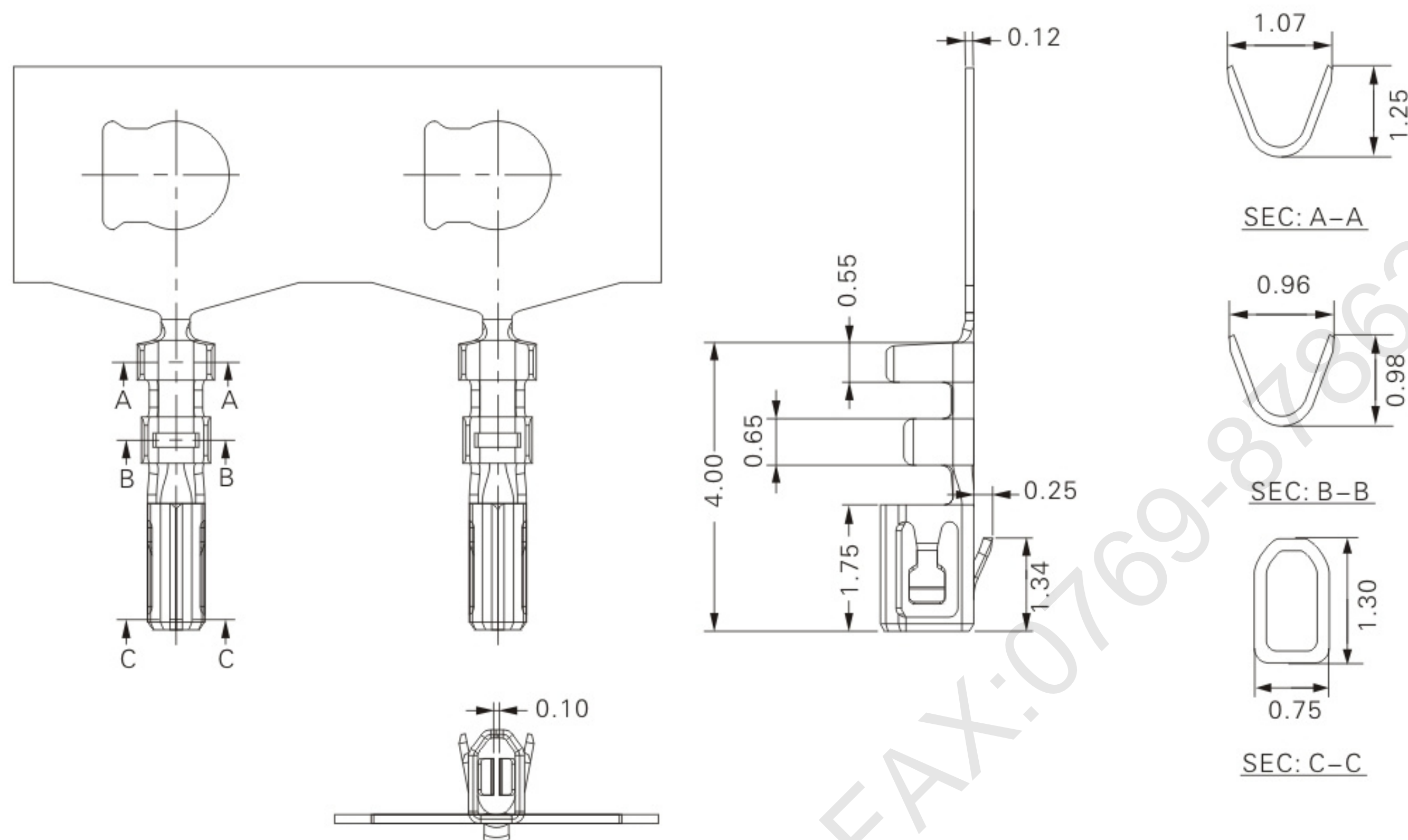
Ordering Information & Specifications:

Circuits	Part No.	DIM.(mm)	
		A	B
16	E1003PS-2X08P-SMT	7.00	10.30
20	E1003PS-2X10P-SMT	9.00	12.30
30	E1003PS-2X15P-SMT	14.00	17.30
32	E1003PS-2X16P-SMT	15.00	18.30
40	E1003PS-2X20P-SMT	19.00	22.30
50	E1003PS-2X25P-SMT	24.00	27.30

E1003-T (1.00mm pitch crimp terminal)

Reference Informations:

*Used in E1003H series Housing



Ordering Information & Specifications:

Unit: mm

Part No.	Wire Range	Insulation O.D.	Material	Finish	Qty/reel
E1003P-00	AWG#28-#32	0.80mm(max)	Phosphor Bronze	Gold-flash	15,000pcs

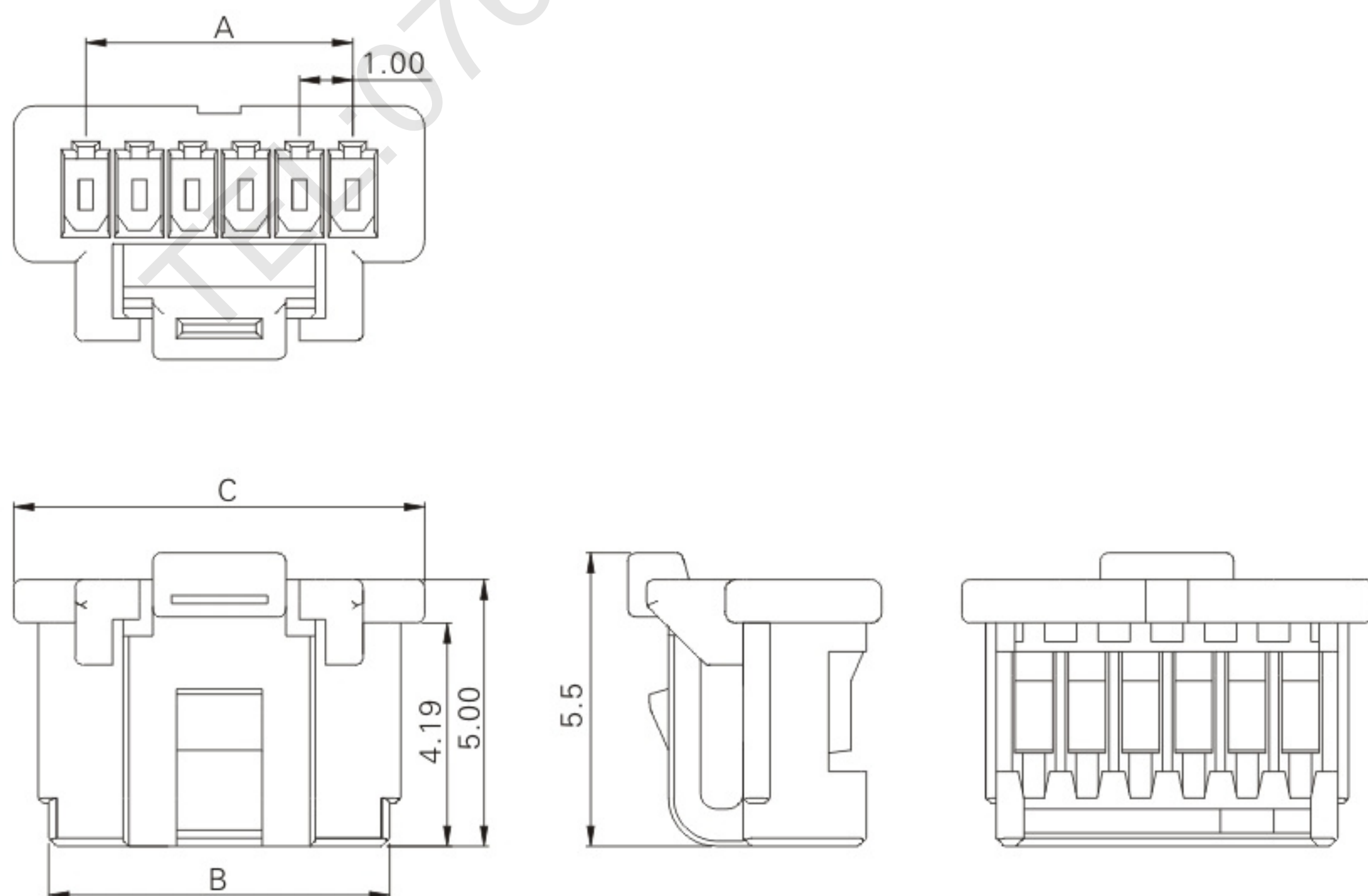
E1003H-NP (1.00mm pitch single row housing)

Reference Informations:

*Material: Nylon66 UL94V-0

*Suitable E1003-T series Terminal

*Mates with E1003H series single row Wafer



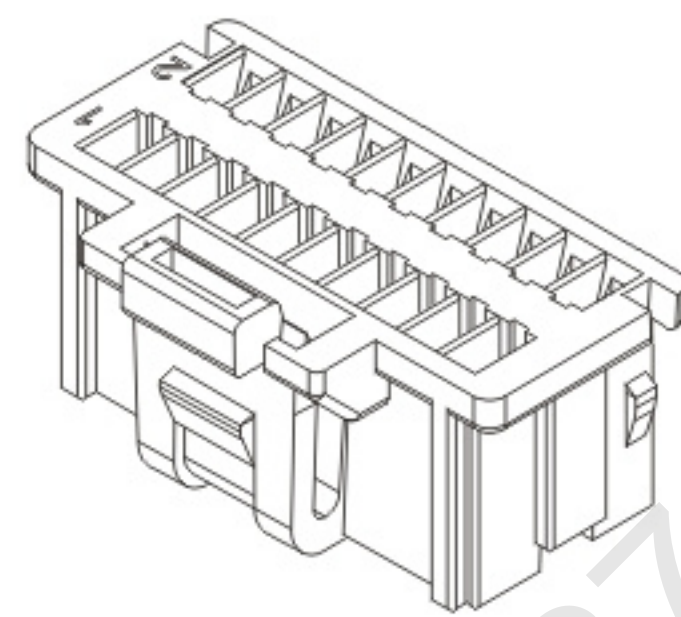
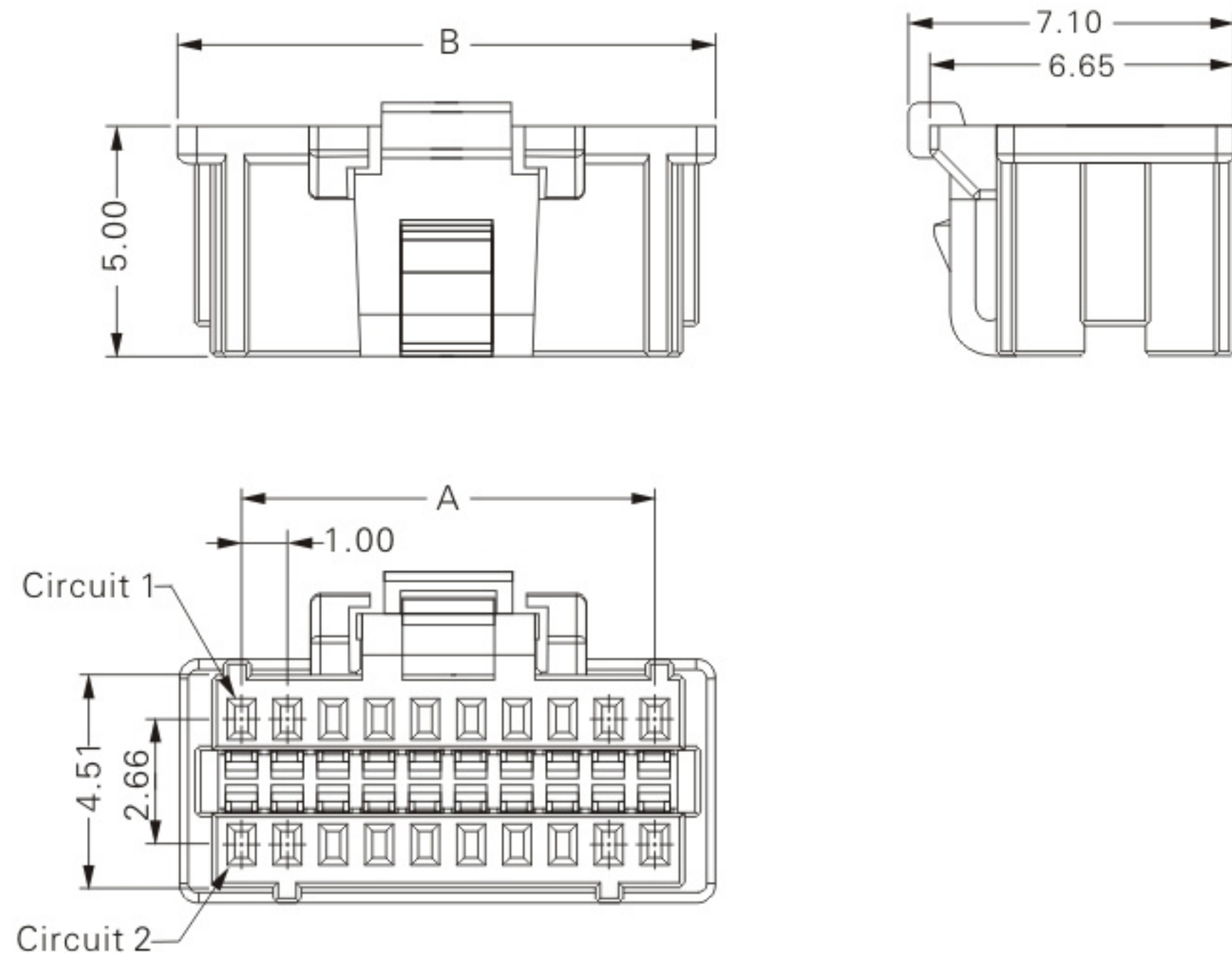
Ordering Information & Specifications:

Circuits	Part No.	DIM.(mm)		
		A	B	C
6	E1003H-06P	5.0	6.4	7.7
7	E1003H-07P	6.0	7.4	8.7
8	E1003H-08P	7.0	8.4	9.7
9	E1003H-09P	8.0	9.4	10.7
10	E1003H-10P	9.0	10.4	11.7
11	E1003H-11P	10.0	11.4	12.7
12	E1003H-12P	11.0	12.4	13.7
13	E1003H-13P	12.0	13.4	14.7
14	E1003H-14P	13.0	14.4	15.7
15	E1003H-15P	14.0	15.4	16.7

E1003H-2XNP (1.00mm pitch dual row housing)

Reference Informations:

- *Material: Nylon66 UL94V-0
- *Suitable E1003-T series Terminal
- *Mates with E1003H series dual row Wafer



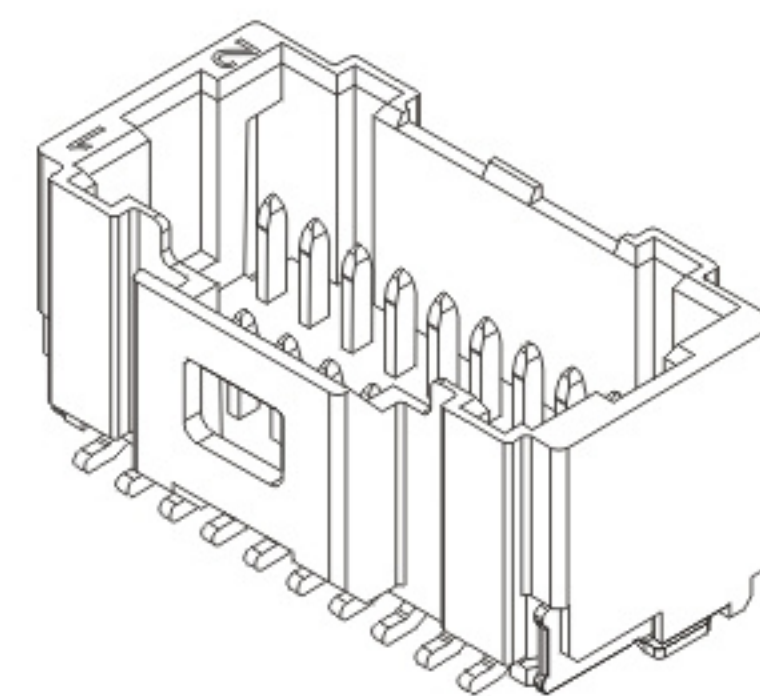
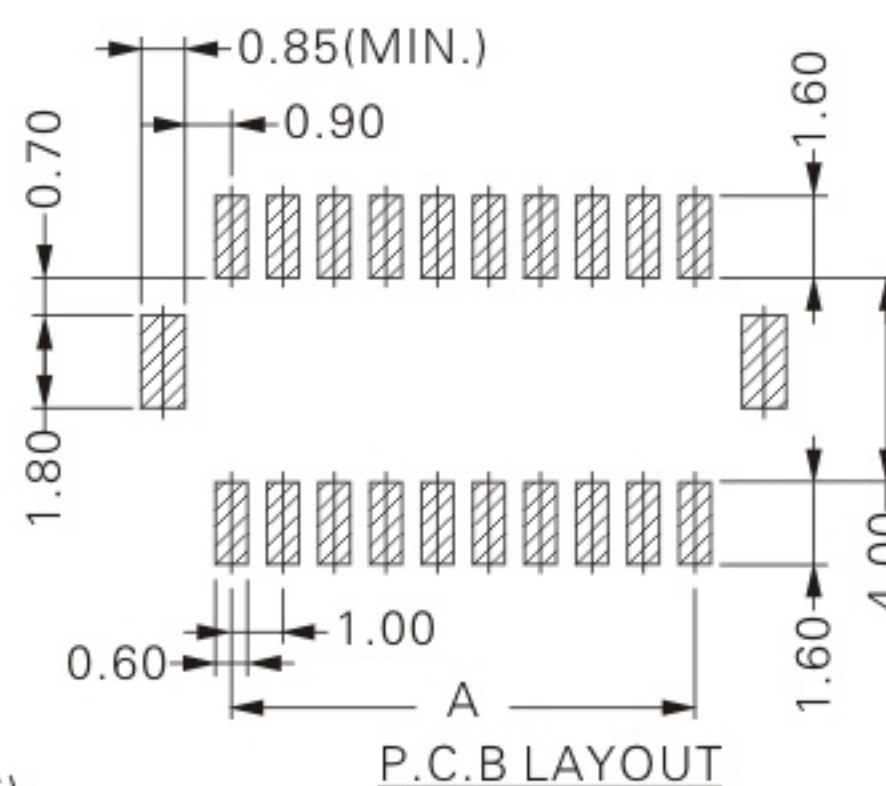
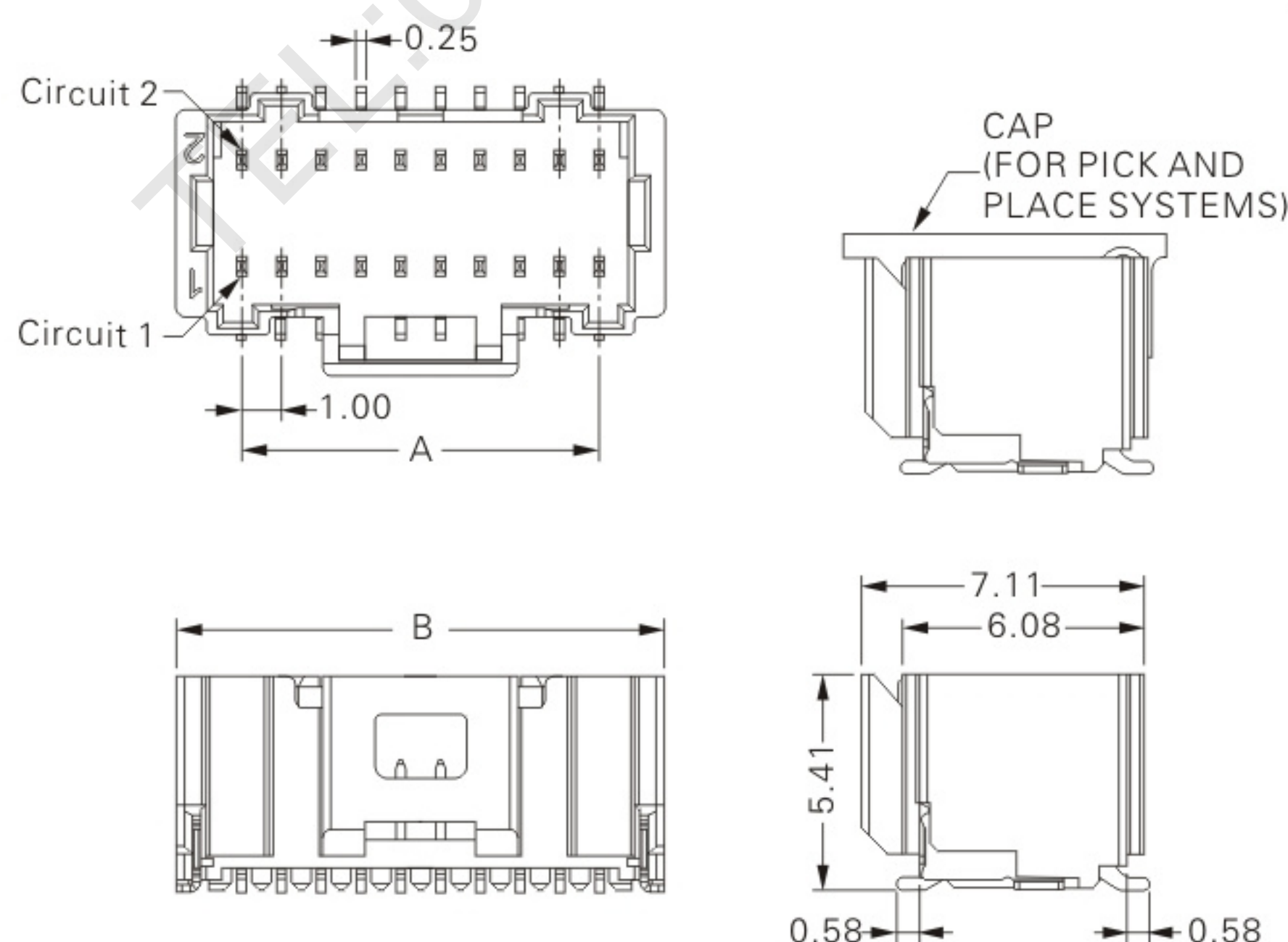
Ordering Information & Specifications:

Circuits	Part No.	DIM.(mm)	
		A	B
16	E1003H-2X08P	7.00	9.70
20	E1003H-2X10P	9.00	11.70
30	E1003H-2X15P	14.00	16.70
32	E1003H-2X16P	15.00	17.70
40	E1003H-2X20P	19.00	21.70
50	E1003H-2X25P	24.00	26.70

E1003PS-2XNP-SMT (1.00mm pitch 180o dual row wafer-SMT TYPE)

Reference Informations:

- *Material : Pin: Phosphor Bronze/Gold-plated
Solder Tabs: Brass/Tin-plated
Wafer: Nylon 6T,UL94V-0
Cap: Nylon 6T,UL94V-0
- *Mates with E1003H series dual row Housing



Ordering Information & Specifications:

Circuits	Part No.	DIM.(mm)	
		A	B
16	E1003PS-2X08P-SMT	7.00	10.30
20	E1003PS-2X10P-SMT	9.00	12.30
30	E1003PS-2X15P-SMT	14.00	17.30
32	E1003PS-2X16P-SMT	15.00	18.30
40	E1003PS-2X20P-SMT	19.00	22.30
50	E1003PS-2X25P-SMT	24.00	27.30