

Specifications

Current rating: 2A AC,DC

Voltage rating: 50V AC,DC

Temperature range: -25°C to + 85°C
(including temperature rise)

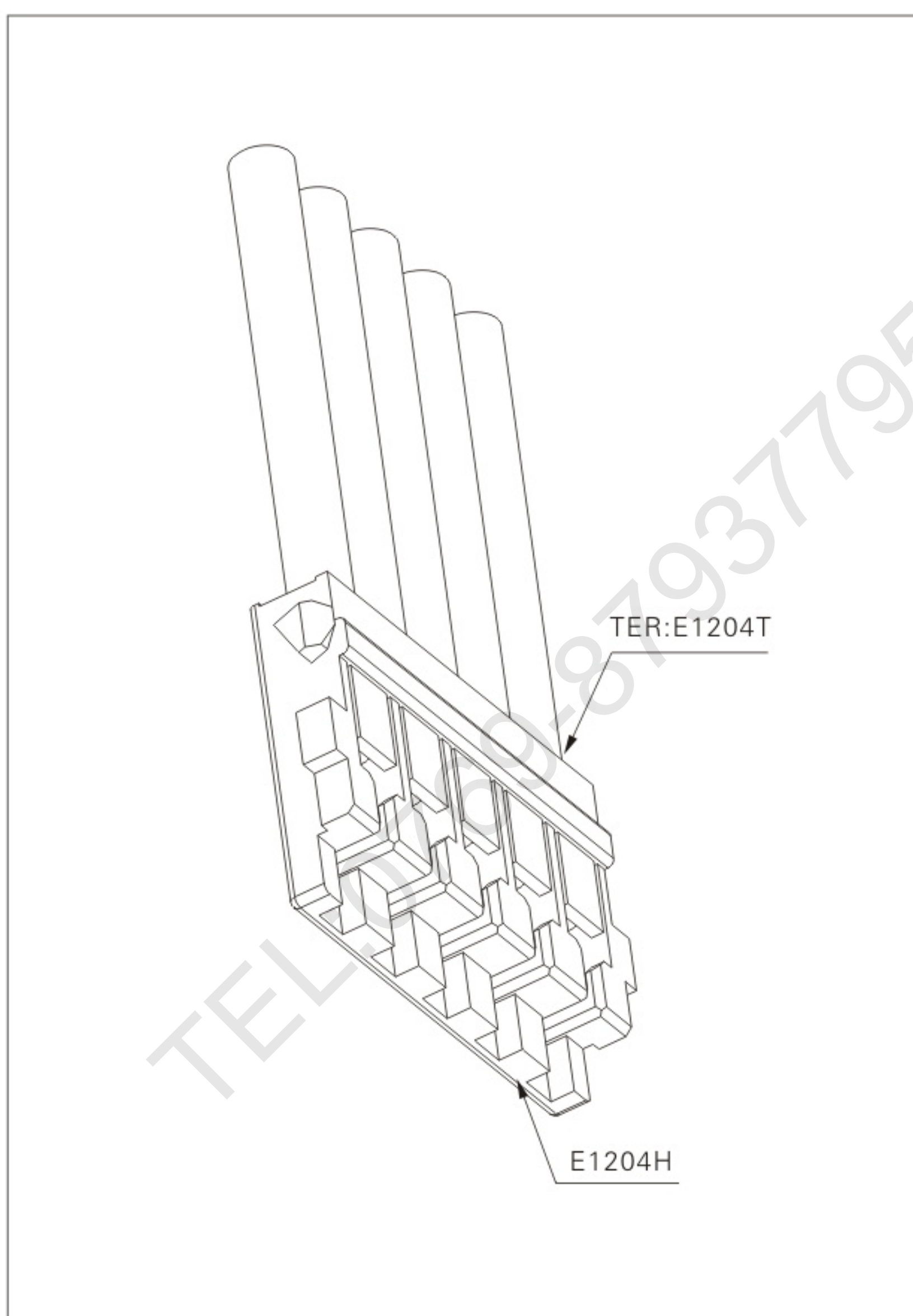
Contact resistance: 20m Ω Max.

After environmental testing/40m Ω Max.

Insulation resistance: 100M Ω Min.

Withstanding voltage: 500 V AC/minute

Wire range: AWG#28-#32



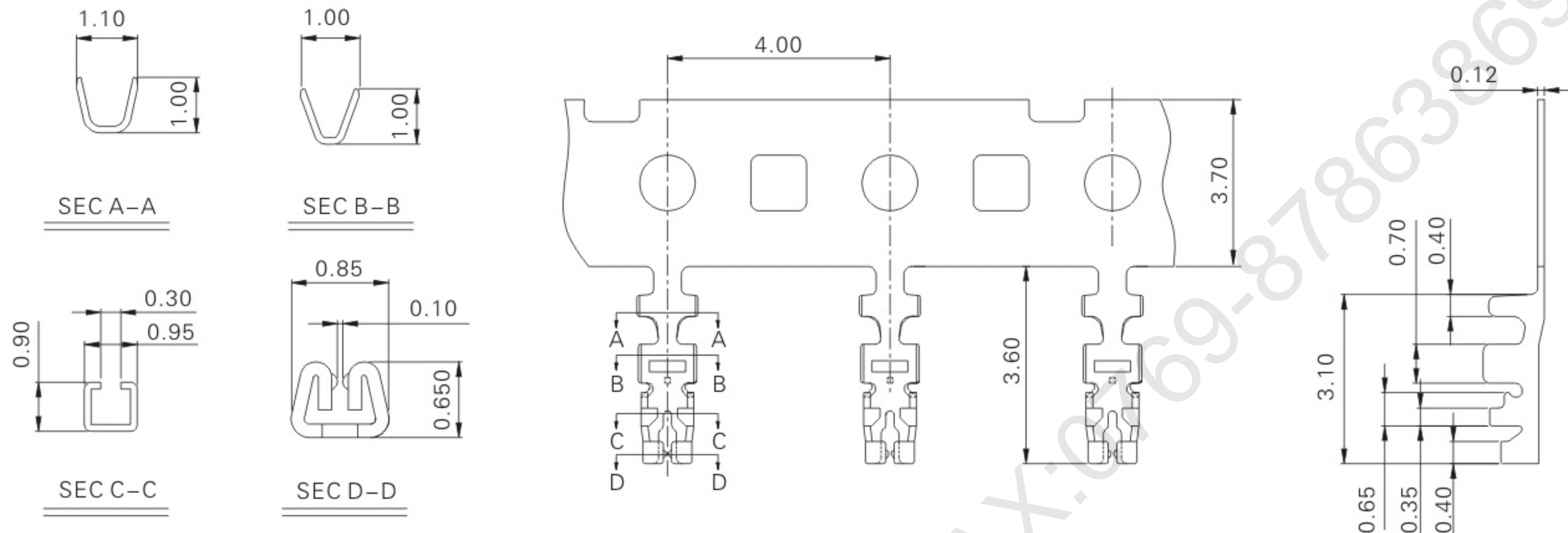
Assembly layout

E1204-T (1.20mm pitch crimp terminal)

Reference Informations:

*Material: Phosphor Bronze/Gold flash

*Mates with E1204 series Housing



Ordering Information & Specifications

Unit: mm

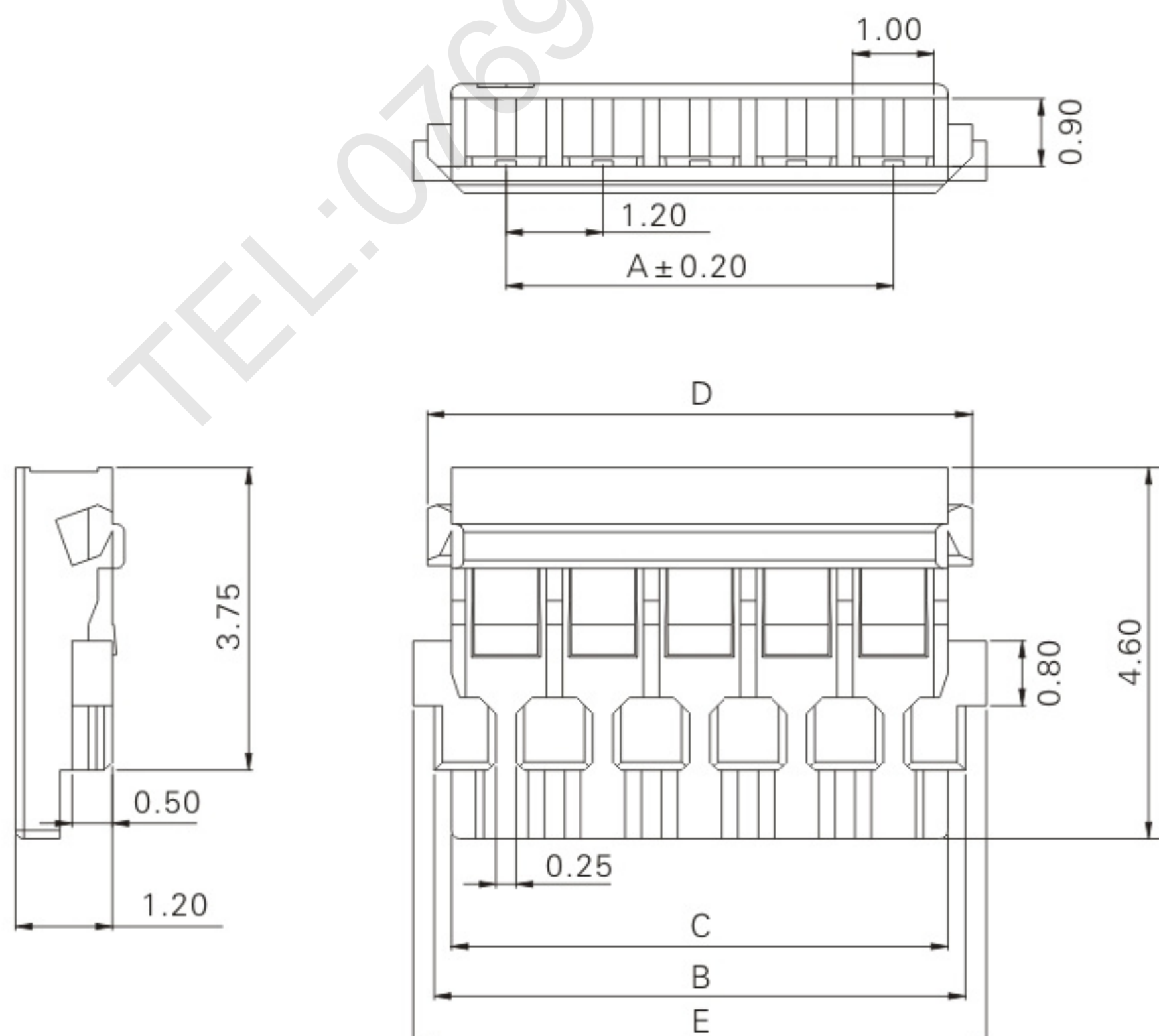
Part No.	Wire Range	Insulation O.D.	Material	Finish	Qty/reel
E1204P-00	AWG#28-#32	0.63mm max	Phosphor Bronze	Gold flash	20,000PCS

E1204H-NP (1.20mm pitch crimp housing)

Reference Informations:

*Material: Housing: PBT UL94V-0/White

*Suitable E1204-T series Terminal



Ordering Information & Dimensions

Circuits	Part No.	DIM.(mm)			
		A	B	C	D
02	E1204HA-02P	1.20	2.98	2.55	3.50
03	E1204HA-03P	2.40	4.18	3.75	4.70
04	E1204HA-04P	3.60	5.38	4.95	5.90
05	E1204HA-05P	4.80	6.58	6.15	7.10
06	E1204HA-06P	6.00	7.78	7.35	8.30