

Specifications

Current Rating: 2A AC,DC

Voltage Rating: 250V AC,DC

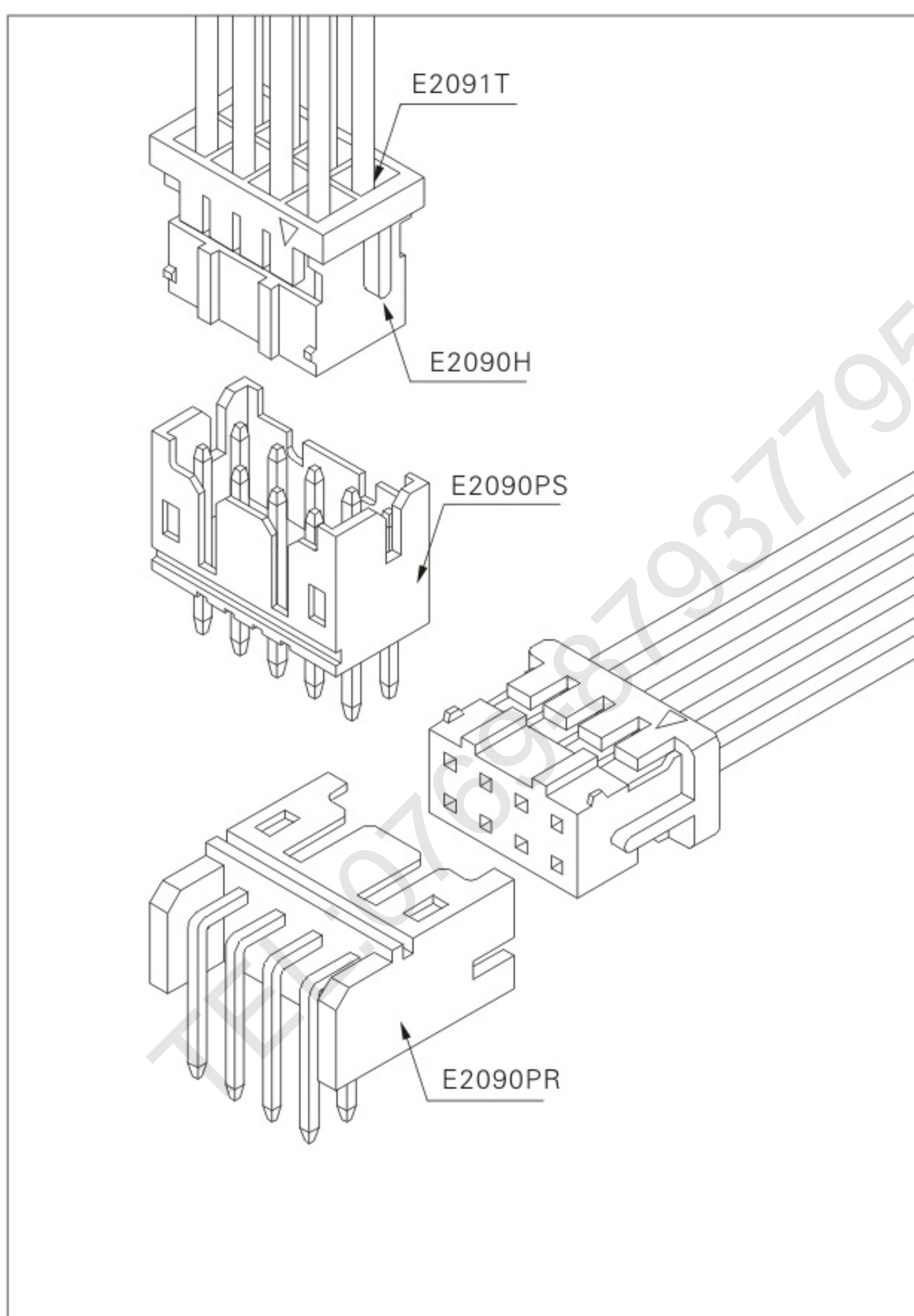
Temperature Range: -25°C~+85°C

Contact Resistance: 30mΩ Max.

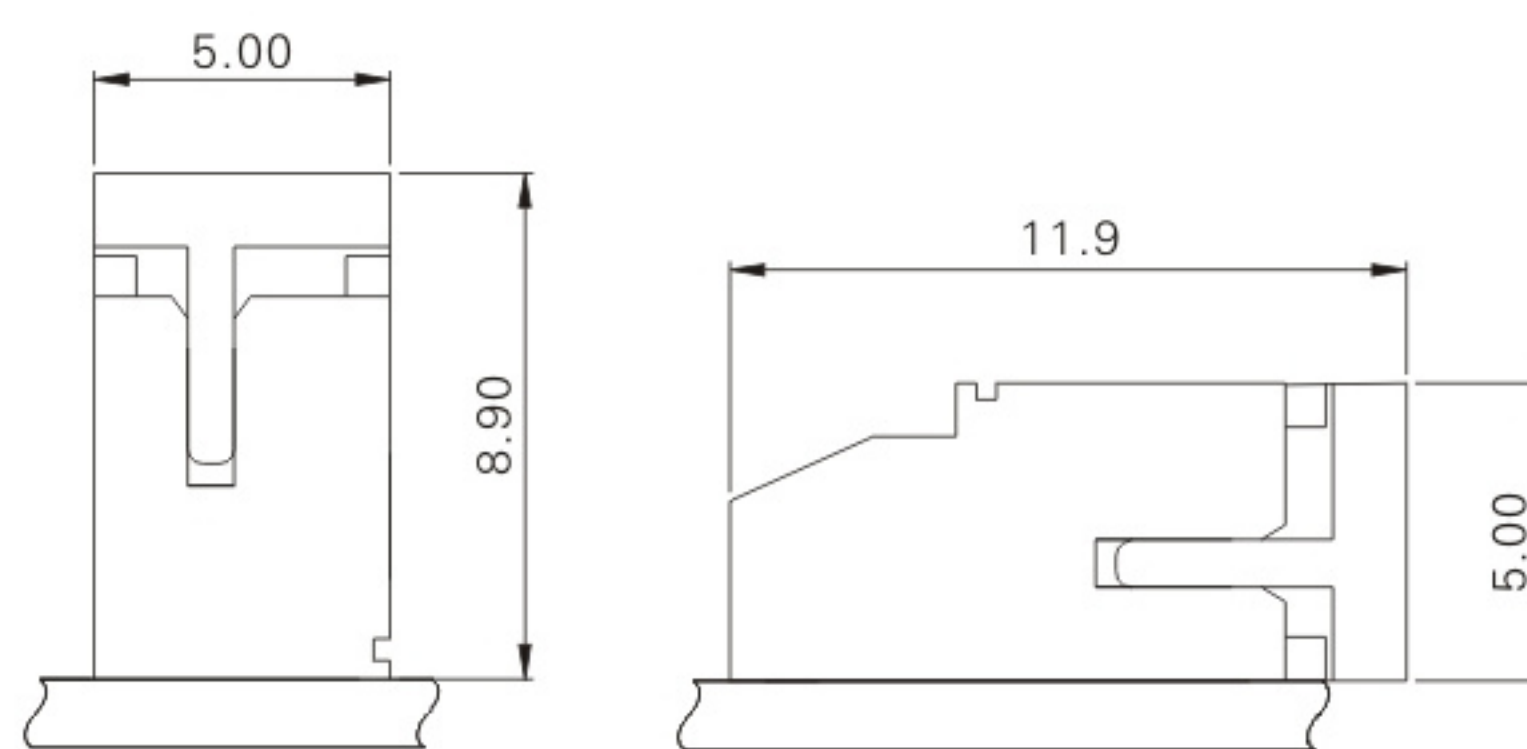
Insulation Resistance: 1000MΩ Min.

Withstanding Voltage: 800V AC/minute

Applicable wire: AWG#22-#28



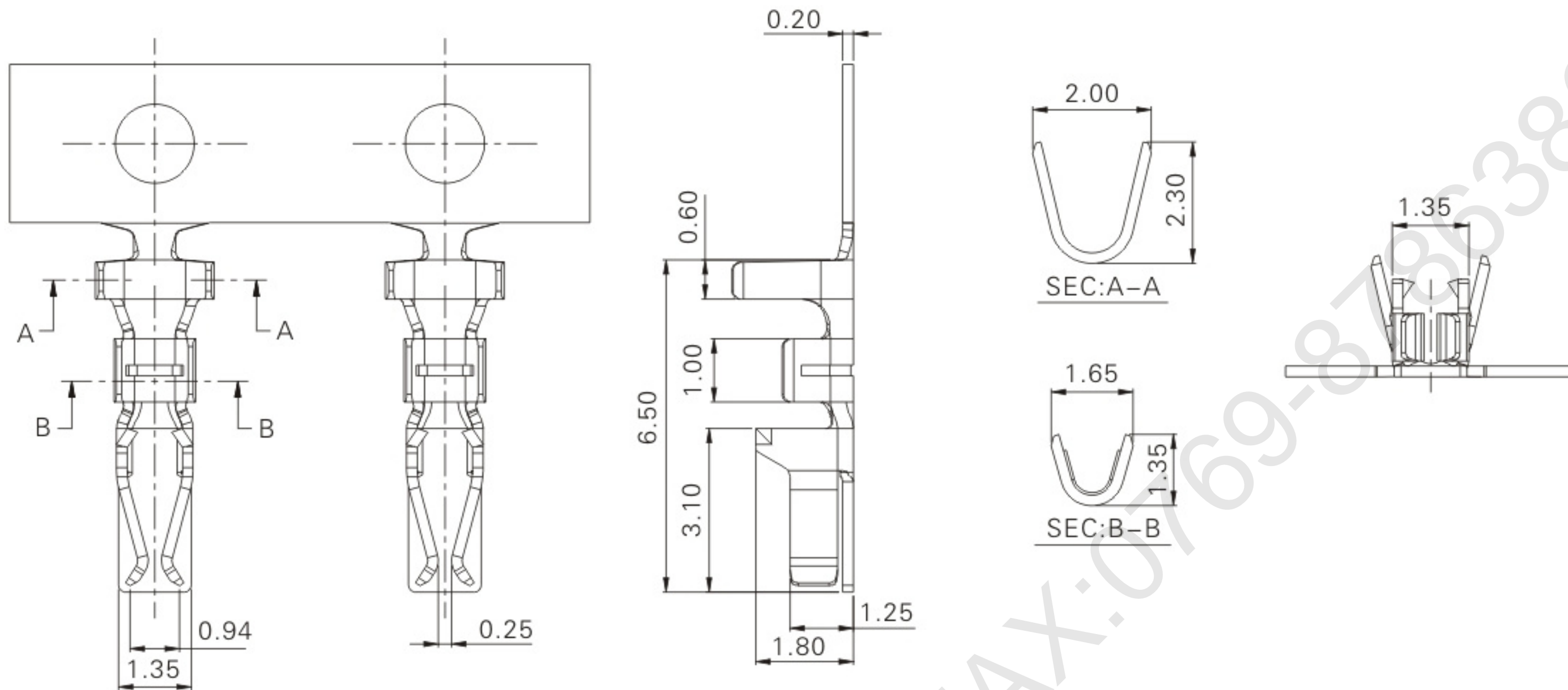
Assembly layout



E2091-T (2.00mm pitch crimp terminal)

Reference Informations:

*Used in E2091H series Housing



Ordering Information & Specifications

Unit: mm

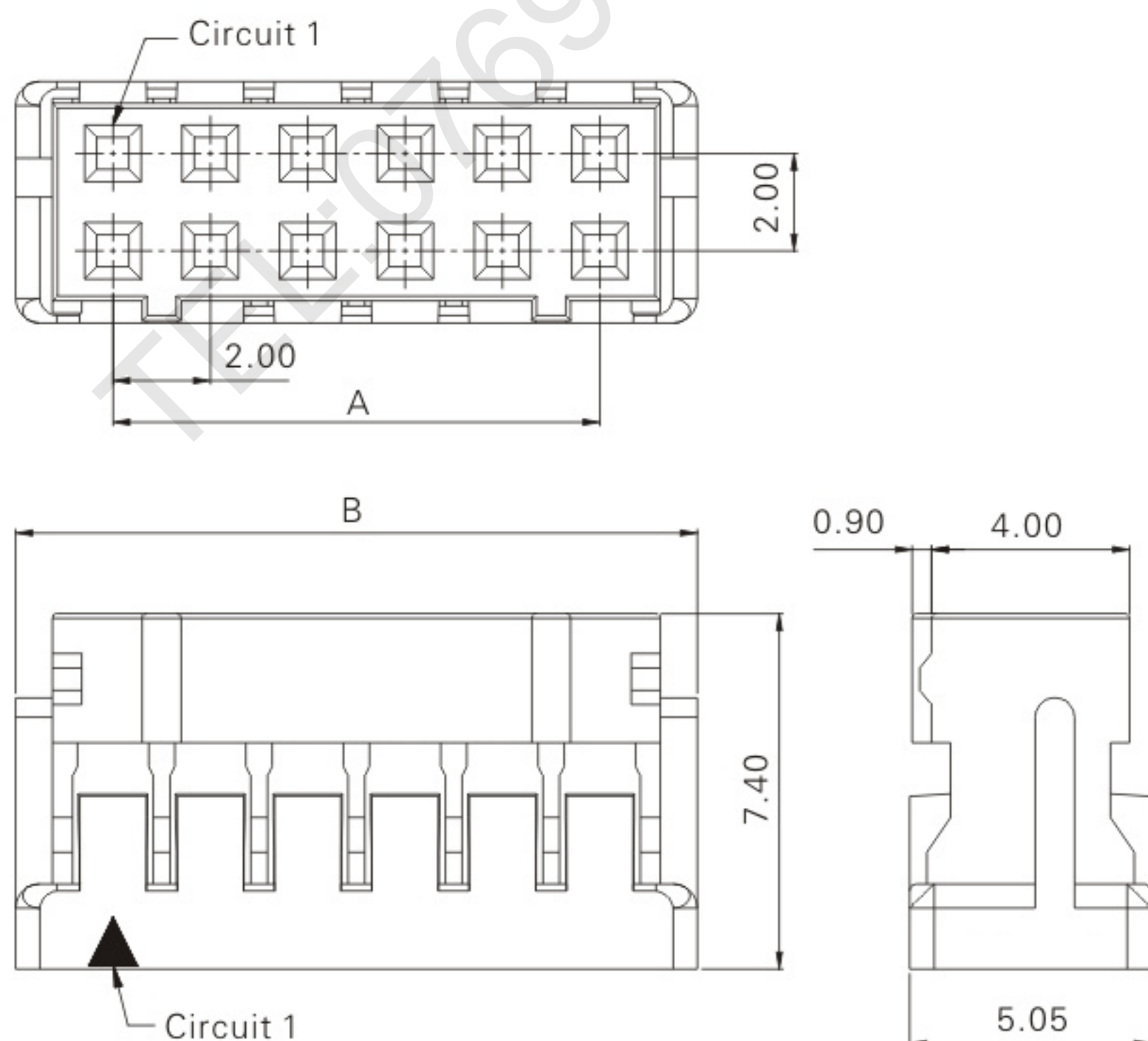
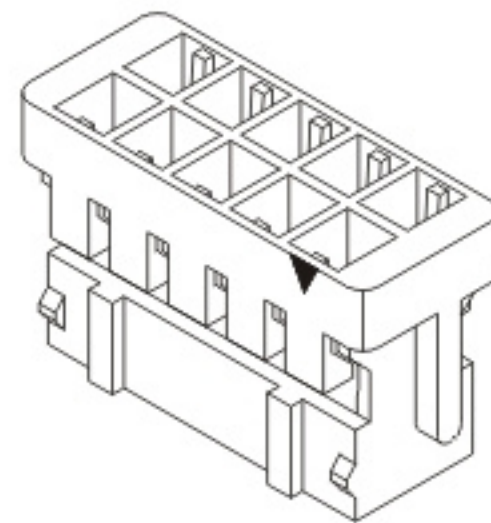
Part No.	Wire Range	Insulation O.D.	Material	Finish	Qty/reel
E2091P	AWG#22#28	1.40mm(mak)	Phosphor Bronze	Tin-plated	10,000pcs

E2091H-2XNP (2.00mm pitch dual row housing)

Reference Informations:

*Material: Nylon 66, UL94V-0

*Suitable E2091-T series Terminal



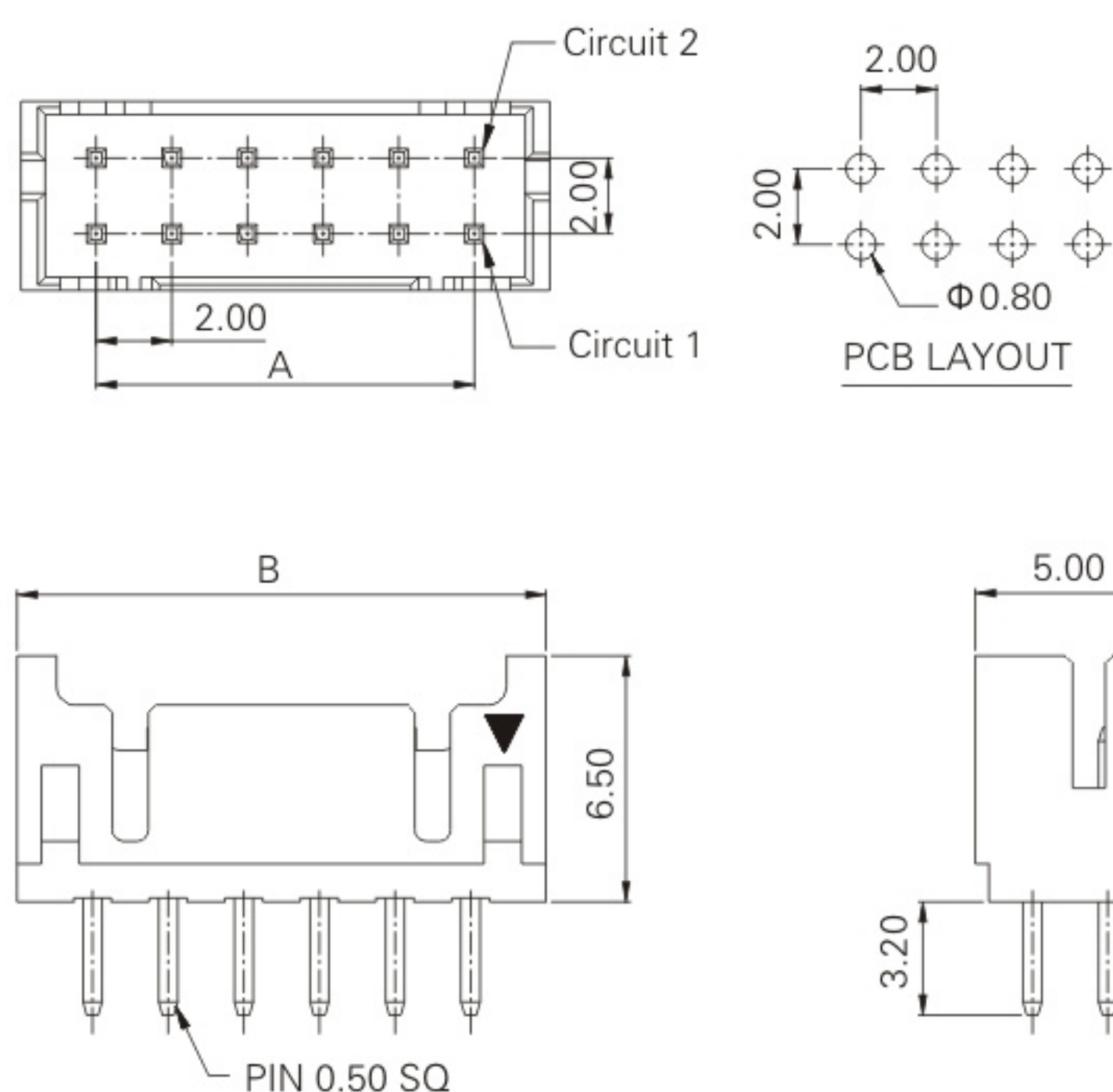
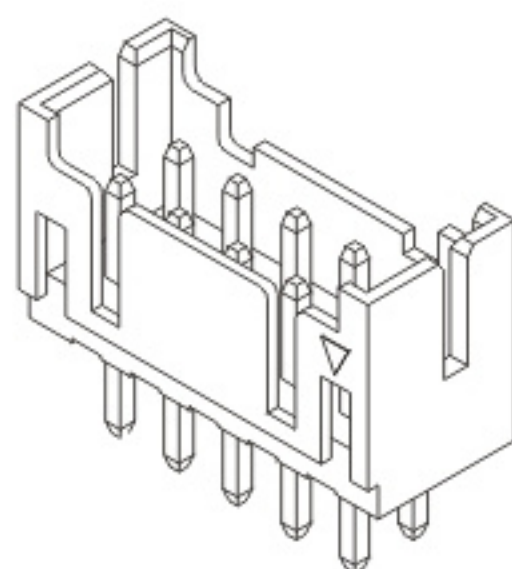
Ordering Information & Dimensions

Circuits	Part No.	DIM.(mm)	
		A	B
04	E2091H-2X02P	2.00	6.00
06	E2091H-2X03P	4.00	8.00
08	E2091H-2X04P	6.00	10.00
10	E2091H-2X05P	8.00	12.00
12	E2091H-2X06P	10.00	14.00
14	E2091H-2X07P	12.00	16.00
16	E2091H-2X08P	14.00	18.00
18	E2091H-2X09P	16.00	20.00
20	E2091H-2X10P	18.00	22.00
22	E2091H-2X11P	20.00	24.00
24	E2091H-2X12P	22.00	26.00
26	E2091H-2X13P	24.00	28.00
28	E2091H-2X14P	26.00	30.00
30	E2091H-2X15P	28.00	32.00
32	E2091H-2X16P	30.00	34.00
34	E2091H-2X17P	32.00	36.00
36	E2091H-2X18P	34.00	38.00
38	E2091H-2X19P	36.00	40.00
40	E2091H-2X20P	38.00	42.00

E2091PS-2XNP (2.00mm pitch 180° dual row wafer)

Reference Informations:

- *Material: Pin: Brass/Tin-plated
Wafer: PA66, UL94V-0/Black
- *Suitable E2091H series Housing



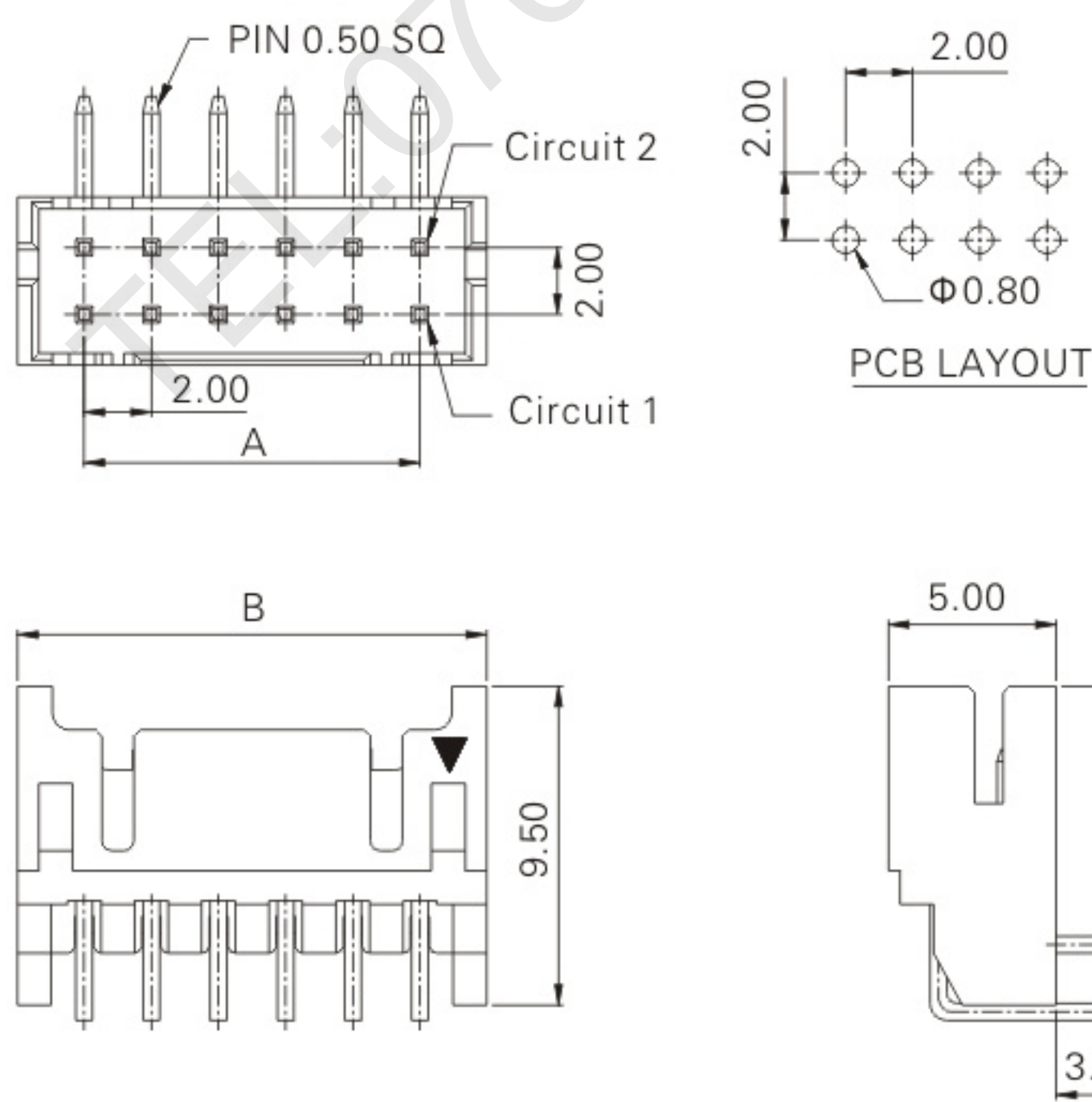
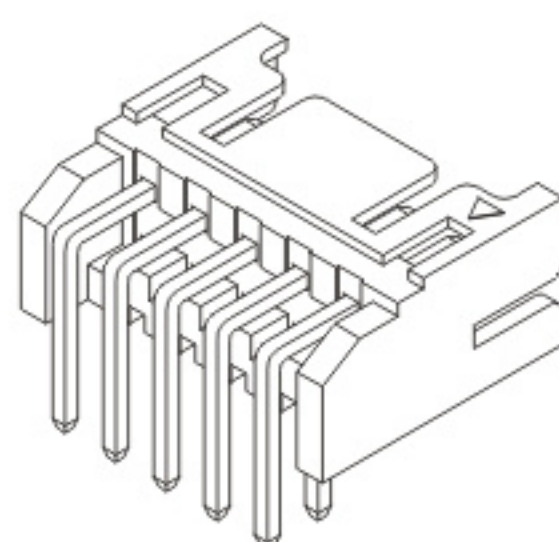
Ordering Information & Dimensions

Circuits	Part No.	DIM.(mm)	
		A	B
02	E2091PS-2X02P	2.00	6.00
03	E2091PS-2X03P	4.00	8.00
04	E2091PS-2X04P	6.00	10.00
05	E2091PS-2X05P	8.00	12.00
06	E2091PS-2X06P	10.00	14.00
07	E2091PS-2X07P	12.00	16.00
08	E2091PS-2X08P	14.00	18.00
09	E2091PS-2X09P	16.00	20.00
10	E2091PS-2X10P	18.00	22.00
11	E2091PS-2X11P	20.00	24.00
12	E2091PS-2X12P	22.00	26.00
13	E2091PS-2X13P	24.00	28.00
14	E2091PS-2X14P	26.00	30.00
15	E2091PS-2X15P	28.00	32.00
16	E2091PS-2X16P	30.00	34.00
17	E2091PS-2X17P	32.00	36.00
18	E2091PS-2X18P	34.00	38.00
19	E2091PS-2X19P	36.00	40.00
20	E2091PS-2X20P	38.00	42.00

E2091PR-2XNP (2.00mm pitch 90° dual row wafer)

Reference Informations:

- *Material: Pin: Brass/Tin-plated
Wafer: PA66, UL94V-0/Black
- *Suitable E2091H series Housing



Ordering Information & Dimensions

Circuits	Part No.	DIM.(mm)	
		A	B
02	E2091PR-2X02P	2.00	6.00
03	E2091PR-2X03P	4.00	8.00
04	E2091PR-2X04P	6.00	10.00
05	E2091PR-2X05P	8.00	12.00
06	E2091PR-2X06P	10.00	14.00
07	E2091PR-2X07P	12.00	16.00
08	E2091PR-2X08P	14.00	18.00
09	E2091PR-2X09P	16.00	20.00
10	E2091PR-2X10P	18.00	22.00
11	E2091PR-2X11P	20.00	24.00
12	E2091PR-2X12P	22.00	26.00
13	E2091PR-2X13P	24.00	28.00
14	E2091PR-2X14P	26.00	30.00
15	E2091PR-2X15P	28.00	32.00
16	E2091PR-2X16P	30.00	34.00
17	E2091PR-2X17P	32.00	36.00
18	E2091PR-2X18P	34.00	38.00
19	E2091PR-2X19P	36.00	40.00
20	E2091PR-2X20P	38.00	42.00