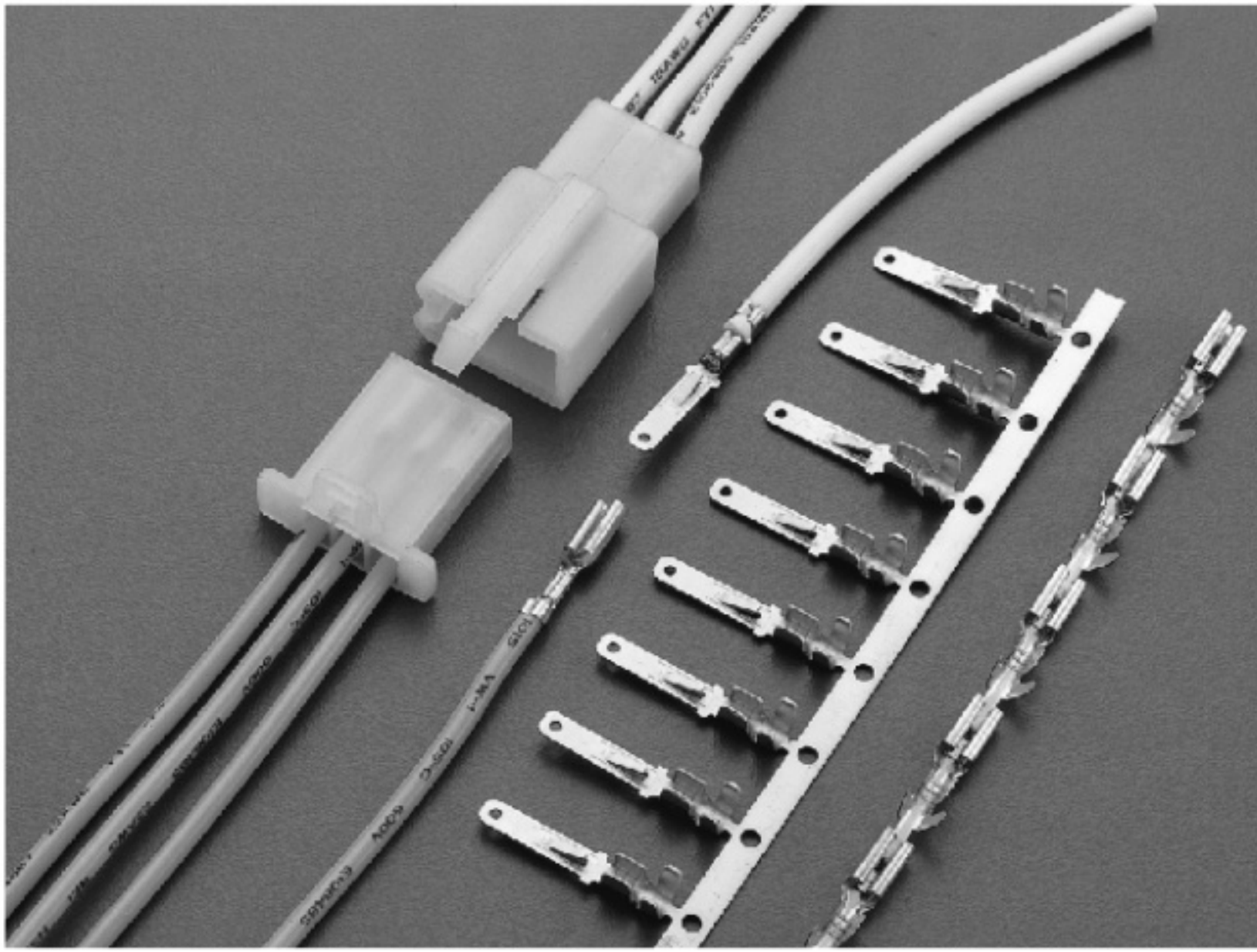


E631H/E731H E631H-K/E731H-K SERIES 4.0mm PITCH WIRE TO WIRE CONNECTOR



Specifications

Current rating: 3A AC,DC

Voltage rating: 250V AC,DC

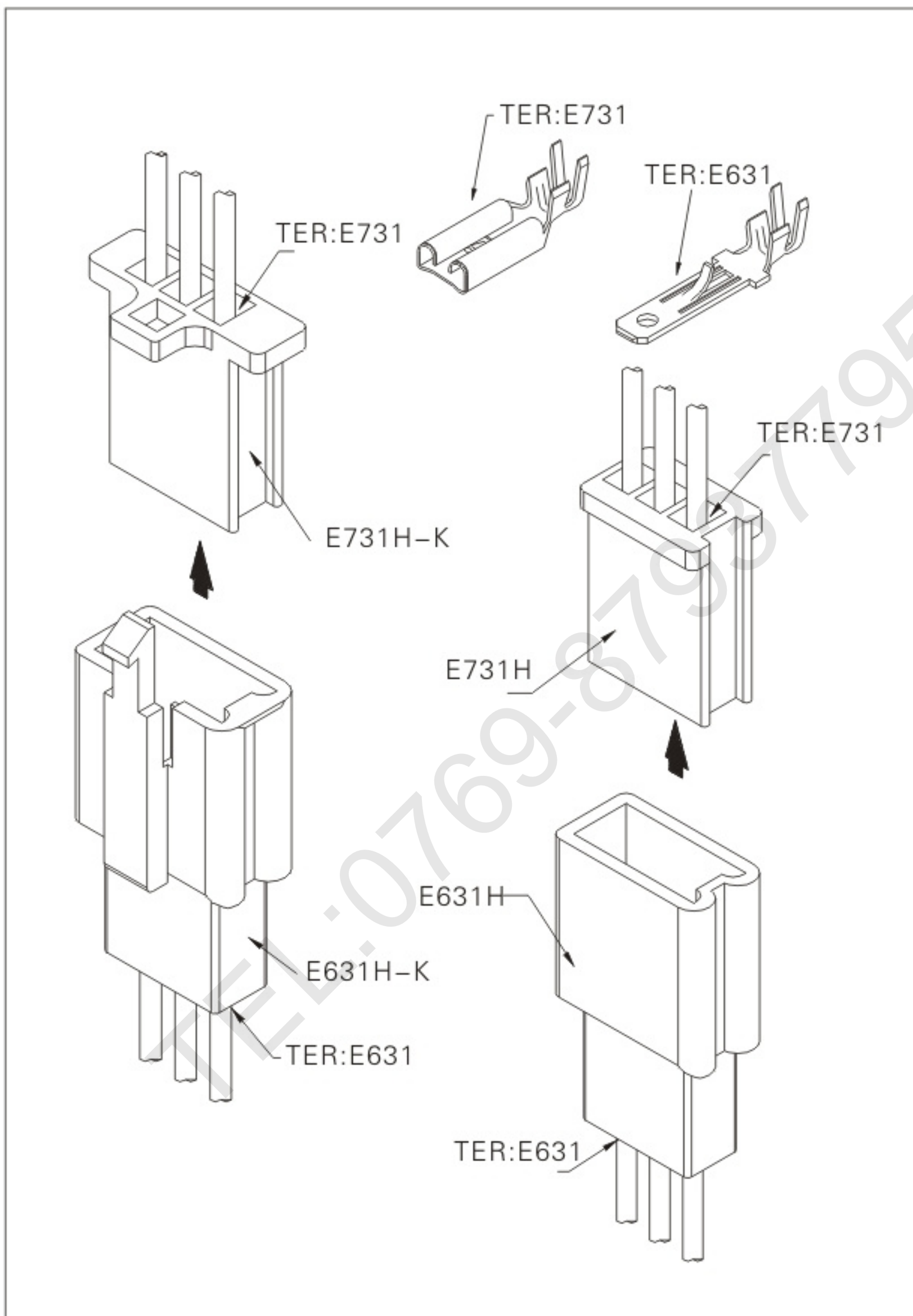
Temperature range: -25°C to +85°C
(including temperature rise)

Contact resistance: Initial value/ 10m Ω Max.
After environmental testing/20m Ω Max.

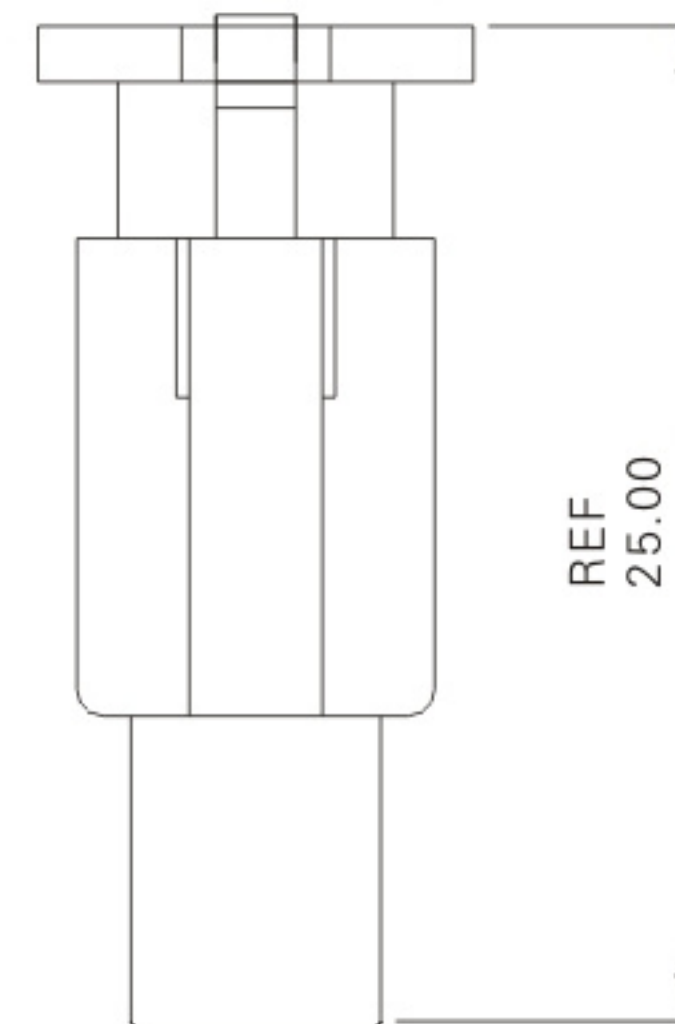
Insulation resistance: 500 M Ω Min.

Withstanding voltage: 1500V AC/minute

Applicable wire: AWG#18-#22



Assembly layout



WIRE TO WIRE

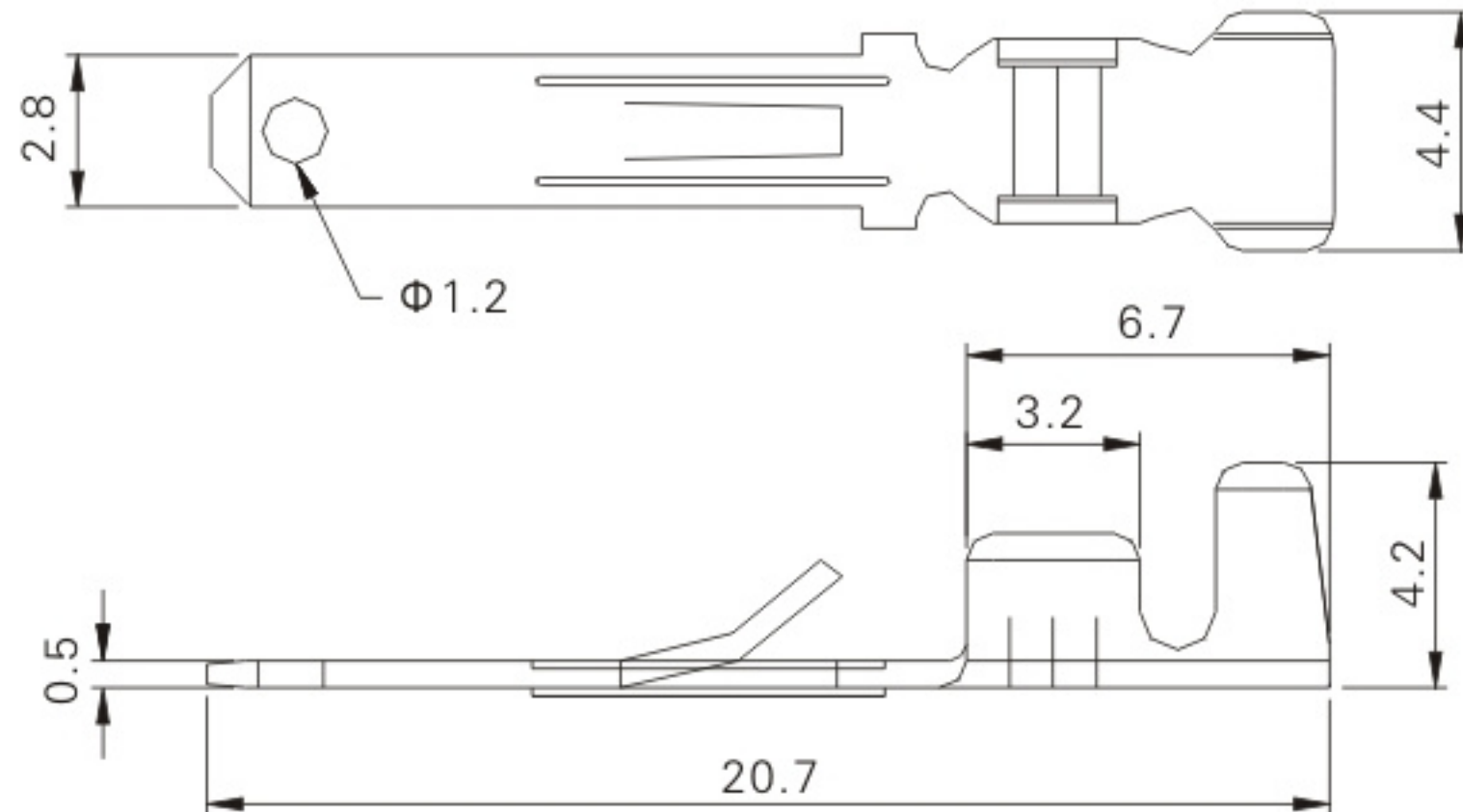
E631 E630 (faston terminal)

Reference Informations:

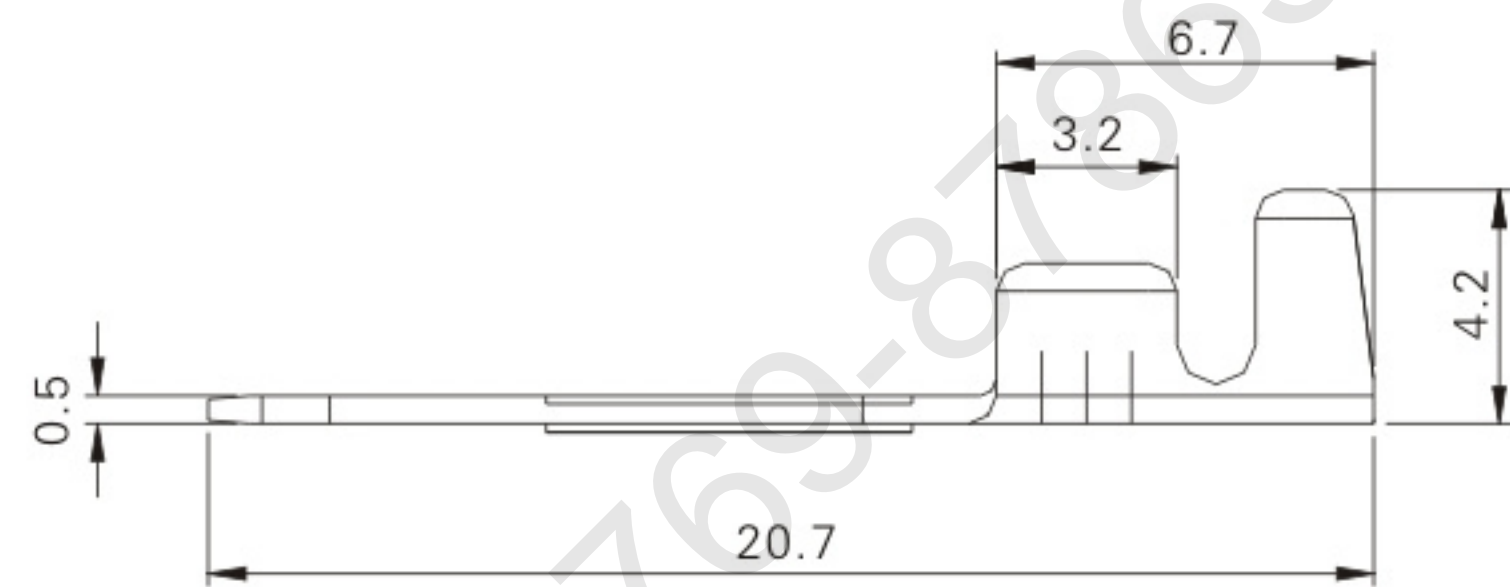
- *Thickness: 0.5mm
- *Material: Brass
- *Treatment: Chemical Granding
- *Accepts : E731 series Terminal

- *Thickness: 0.5mm
- *Material: Brass
- *Treatment: Chemical Granding
- *Accepts : E631h series Housing

E631



E630



Ordering Information & Specifications

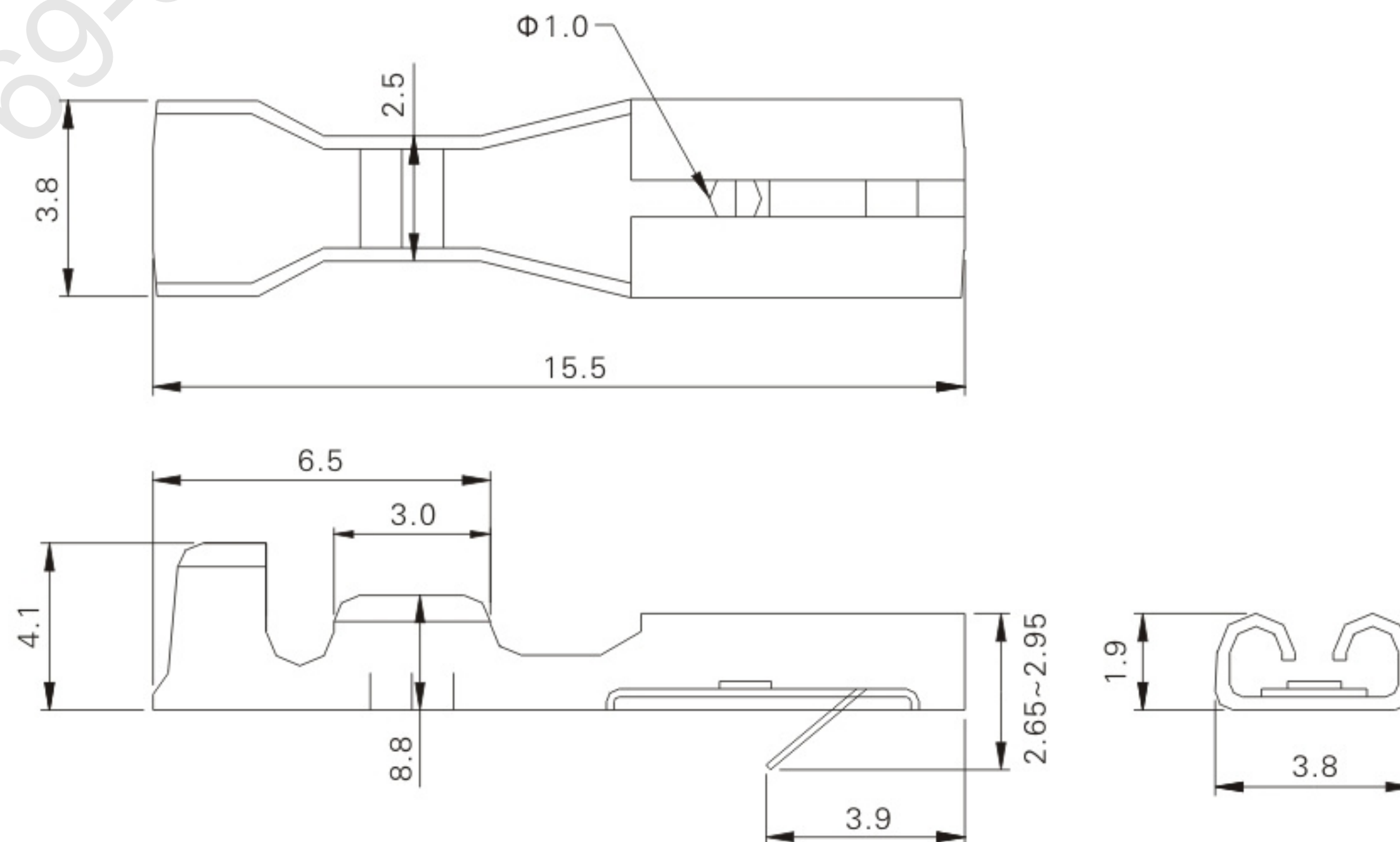
Unit: mm

Part No.	Wire Range	Insulation O.D.	Material	Finish	Qty/reel
E631	AWG#18-22	Φ 1.9~Φ2.5	Brass	Tin-plated	5000
E630	AWG#18-22	Φ 1.9~Φ2.5	Brass	Tin-plated	5000

E731 (faston terminal)

Reference Informations:

- *Thickness: 0.25mm
- *Material: Brass Tin Plated
- *Accepts : 110" Tab Plug



Ordering Information & Specifications

Unit: mm

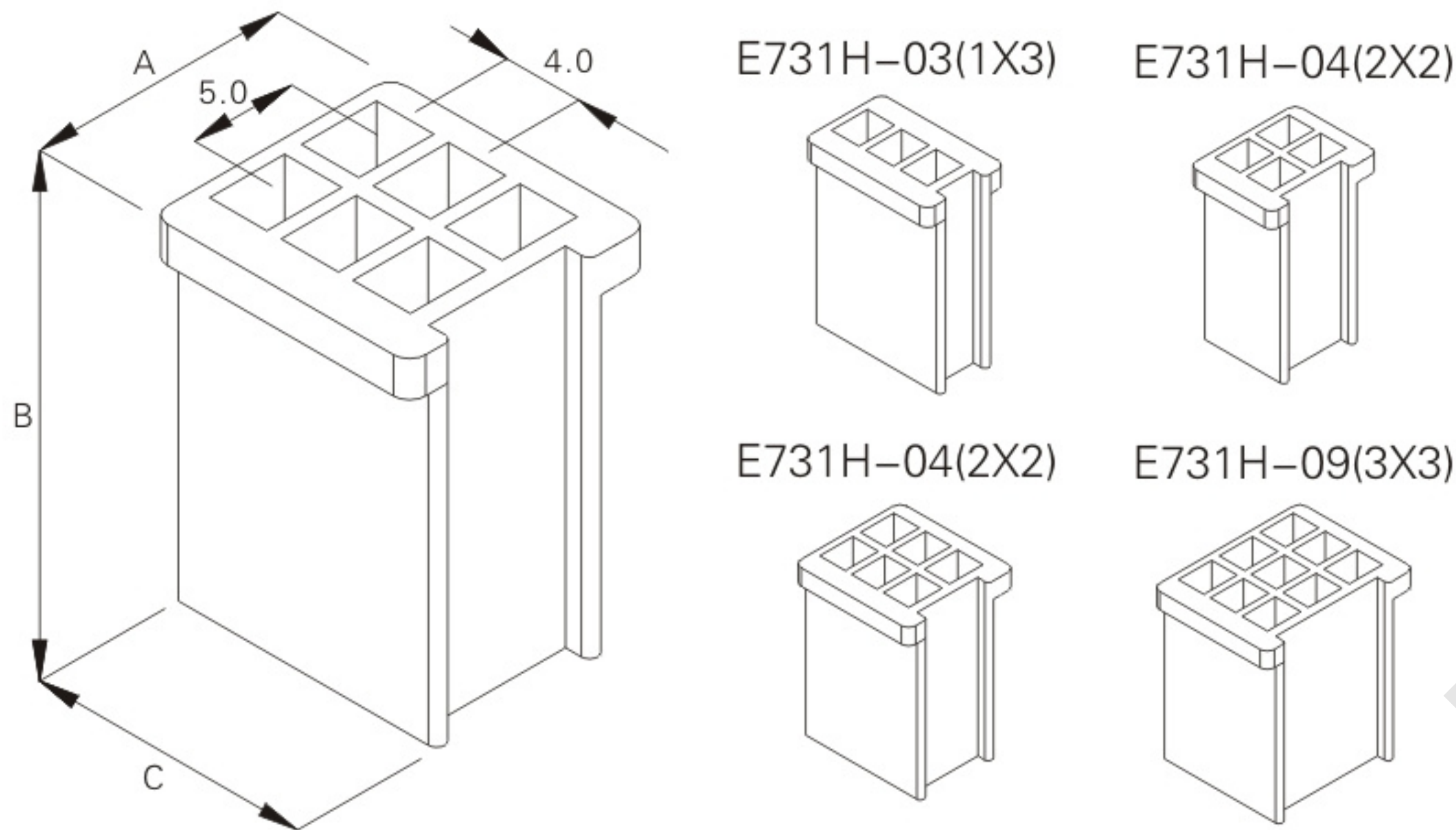
Part No.	Wire Range	Insulation O.D.	Material	Finish	Qty/reel
E731	AWG#18-22	Φ 1.9~Φ2.5	Brass	Tin-plated	10,000

E731H (4.0mm pitch housing)

Reference Informations:

- *Mat'l: Nylon 66 UL94V-2
- *Mates With: E731 series Terminal
- *Accepts With: E631H series Housing

E731H-06(2X3)



Ordering Information & Dimensions

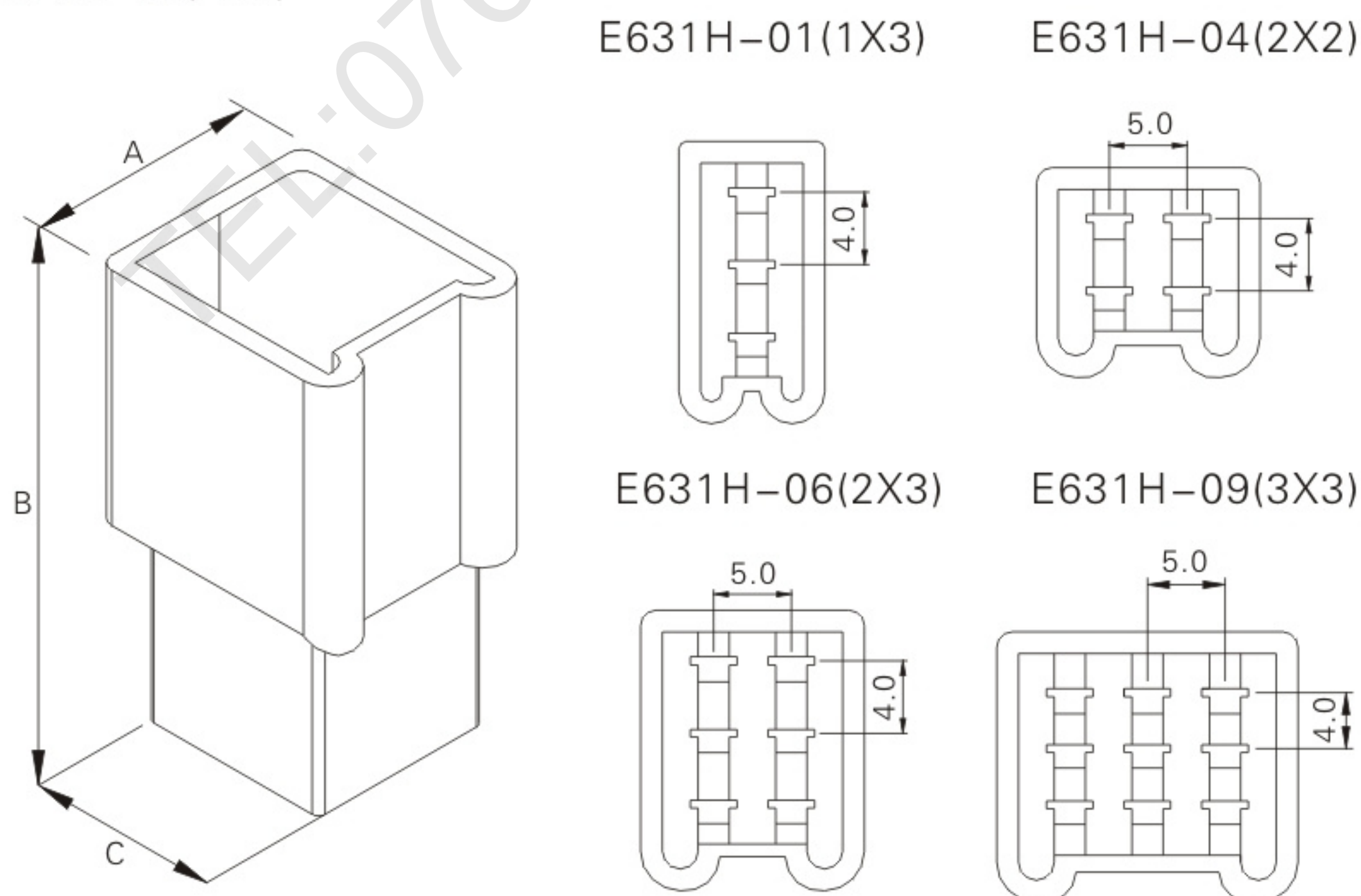
Circuits	Part No.	DIM.(mm)		
		A	B	C
03	E731H-03(1X3)	8.2	19.5	14.5
04	E731H-04(2X2)	13.3	11.4	14.5
06	E731H-06(2X3)	13.3	15.5	15.5
09	E731H-09(3X3)	18.0	15.5	15.5

E631H (4.0mm pitch housing)

Reference Informations:

- *Mat'l: Nylon 66 UL94V-2
- *Mates With: E631 series Terminal
- *Accepts With: E731H series Housing

E631H-06(2X3)



Ordering Information & Dimensions

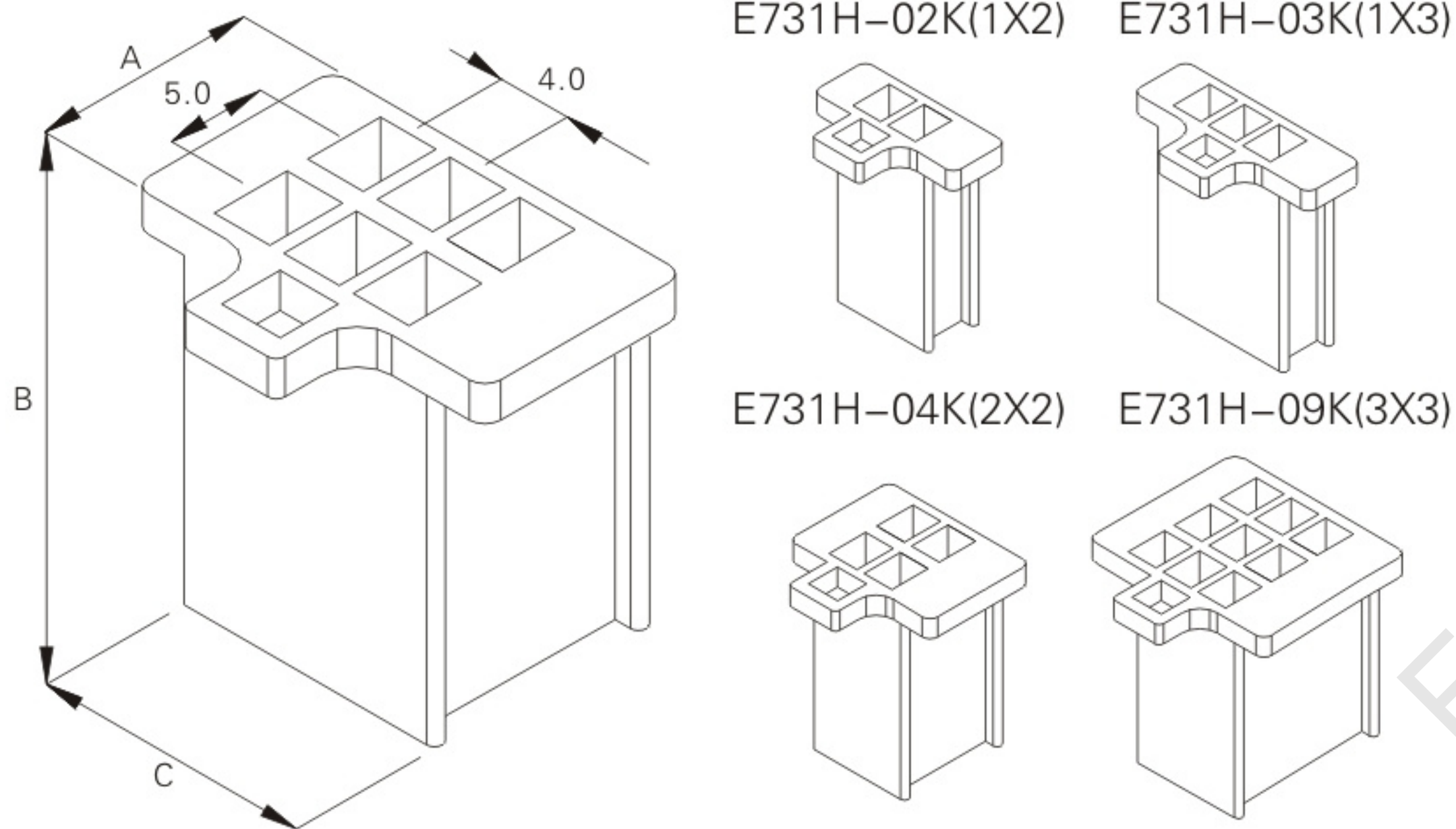
Circuits	Part No.	DIM.(mm)		
		A	B	C
03	E631H-03(1X3)	9.5	32.0	13.2
04	E631H-04(2X2)	14.5	32.0	9.4
06	E631H-06(2X3)	14.5	32.0	13.2
09	E631H-09(3X3)	19.4	32.0	13.2

E731H-K (4.0mm pitch housing)

Reference Informations:

- *Mat'l: Nylon 66 UL94V-2
- *Mates With: E731 series Terminal
- *Accepts With: E631-K series Housing

E731H-06K(2X3)



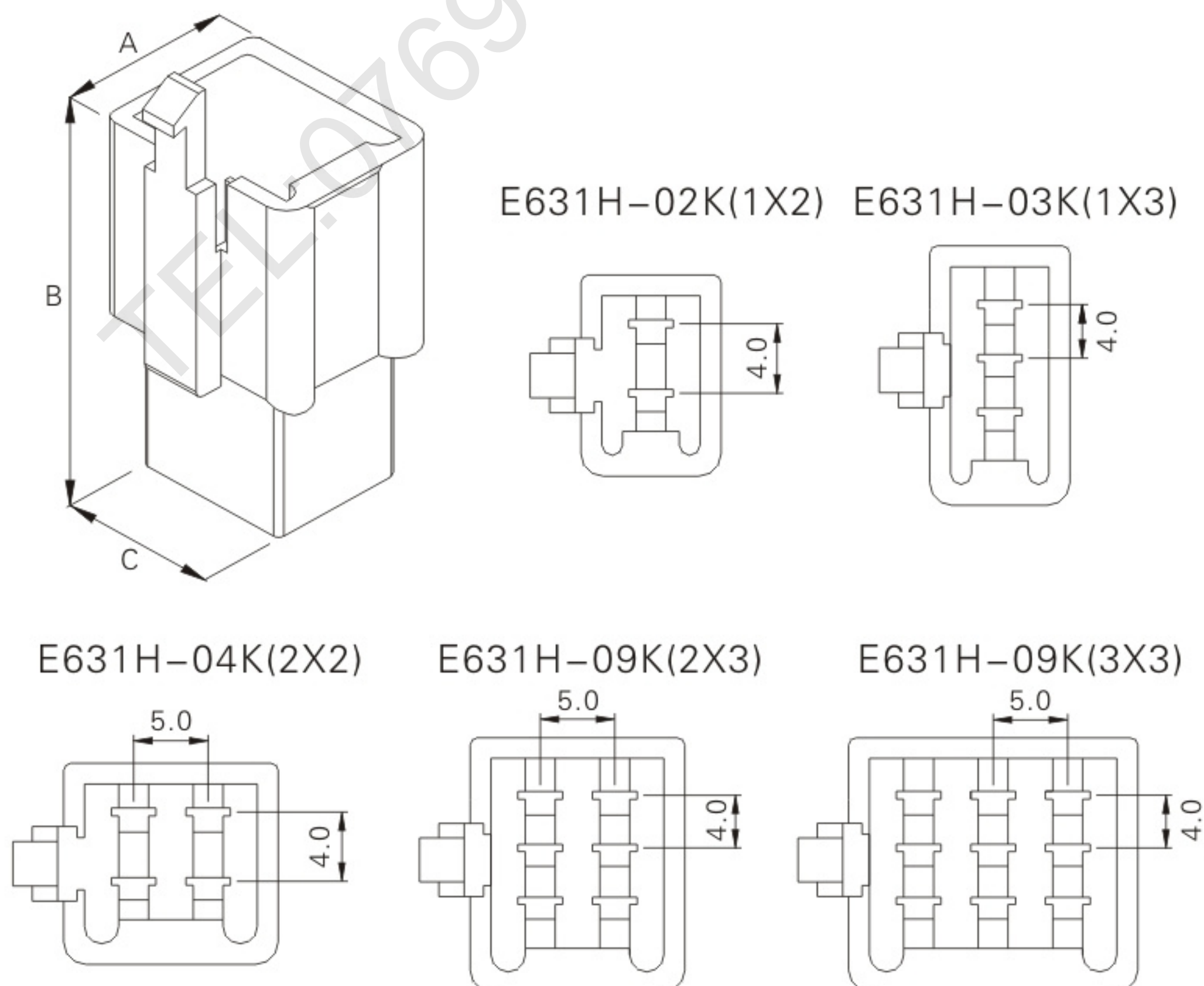
Ordering Information & Dimensions

Circuits	Part No.	DIM.(mm)		
		A	B	C
02	E731H-02K(1X2)	6.2	19.5	10.4
03	E731H-03K(1X3)	6.2	19.5	14.4
04	E731H-04K(2X2)	11.2	19.5	10.4
06	E731H-06K(2X3)	11.2	19.5	14.4
09	E731H-09K(3X3)	16.2	19.5	14.4

E631H-K (4.0mm pitch housing)

Reference Informations:

- *Mat'l: Nylon 66 UL94V-2
- *Mates With: E631 series Terminal
- *Accepts With: E731-K series Housing



Ordering Information & Dimensions

Circuits	Part No.	DIM.(mm)		
		A	B	C
02	E631H-02K(1X2)	9.3	30.0	9.2
03	E631H-03K(1X3)	9.3	30.0	13.2
04	E631H-04K(2X2)	14.4	30.0	9.4
05	E631H-06K(2X3)	14.4	30.0	13.2
06	E631H-09K(3X3)	19.4	30.0	13.2