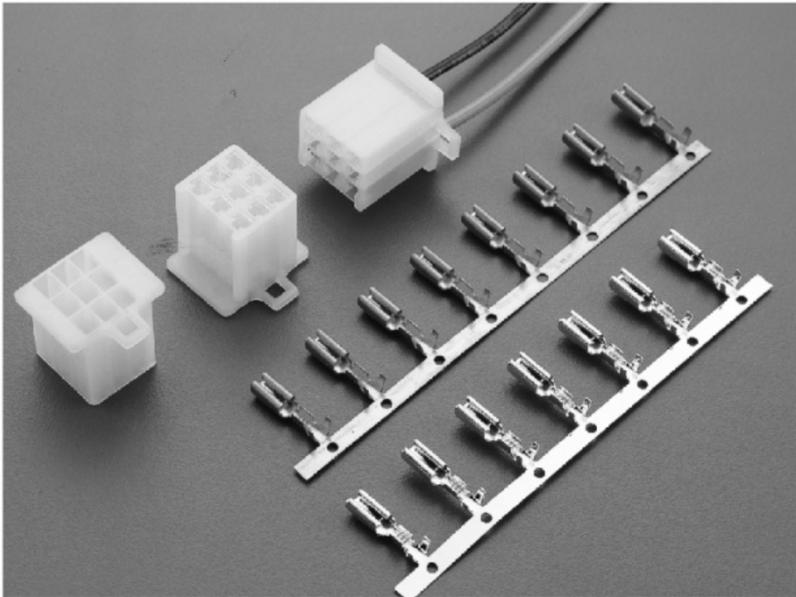


# E738H-K/E631H-K SERIES

4.0mm PITCH WIRE TO WIRE CONNECTOR



## Specifications

Current rating: 3A AC,DC

Voltage rating: 250V AC,DC

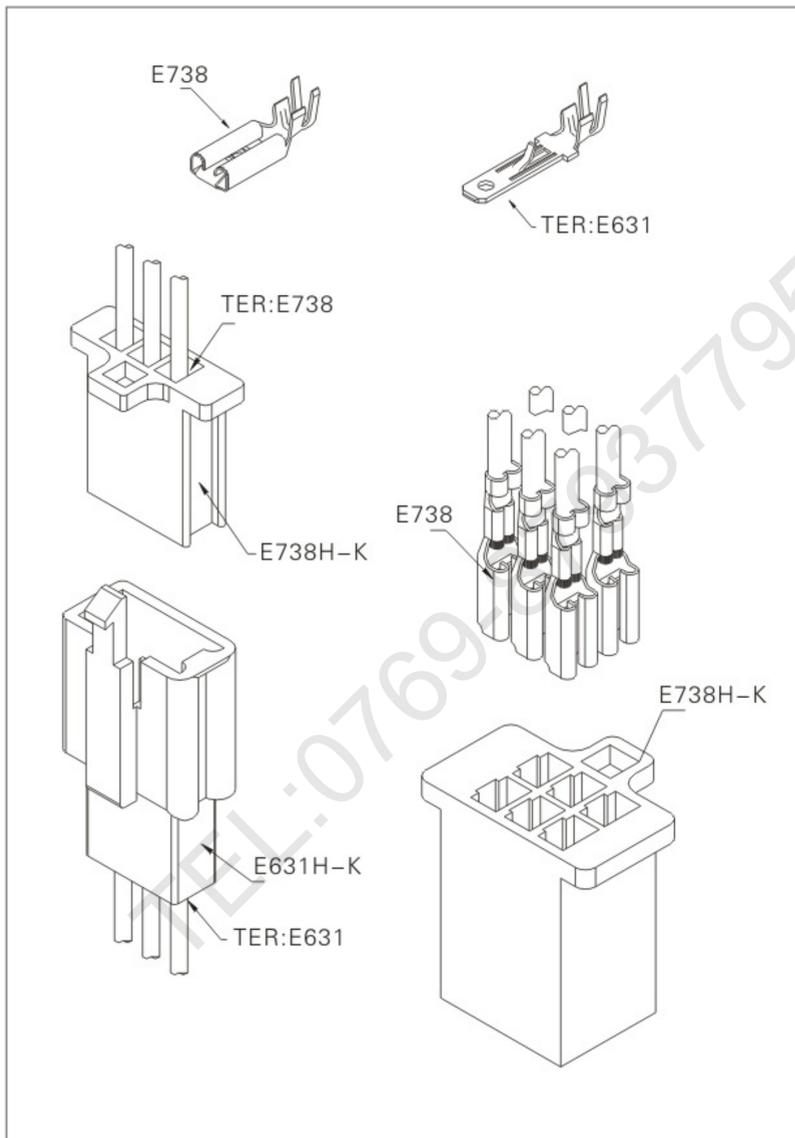
Temperature range: -25°C to +85°C  
(including temperature rise)

Contact resistance: Initial value/ 10m Ω Max.  
After environmental testing/20m Ω Max.

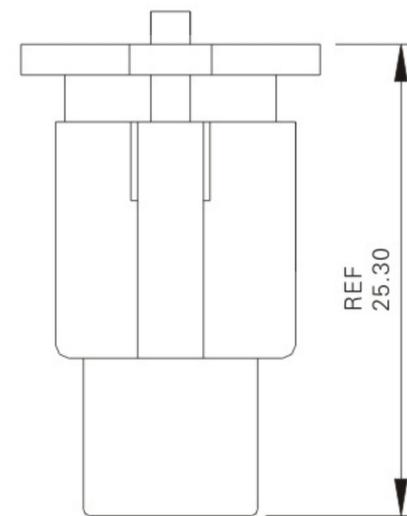
Insulation resistance: 500M Ω Min.

Withstanding voltage: 1000V AC/minute

Applicable wire: AWG#18-#22



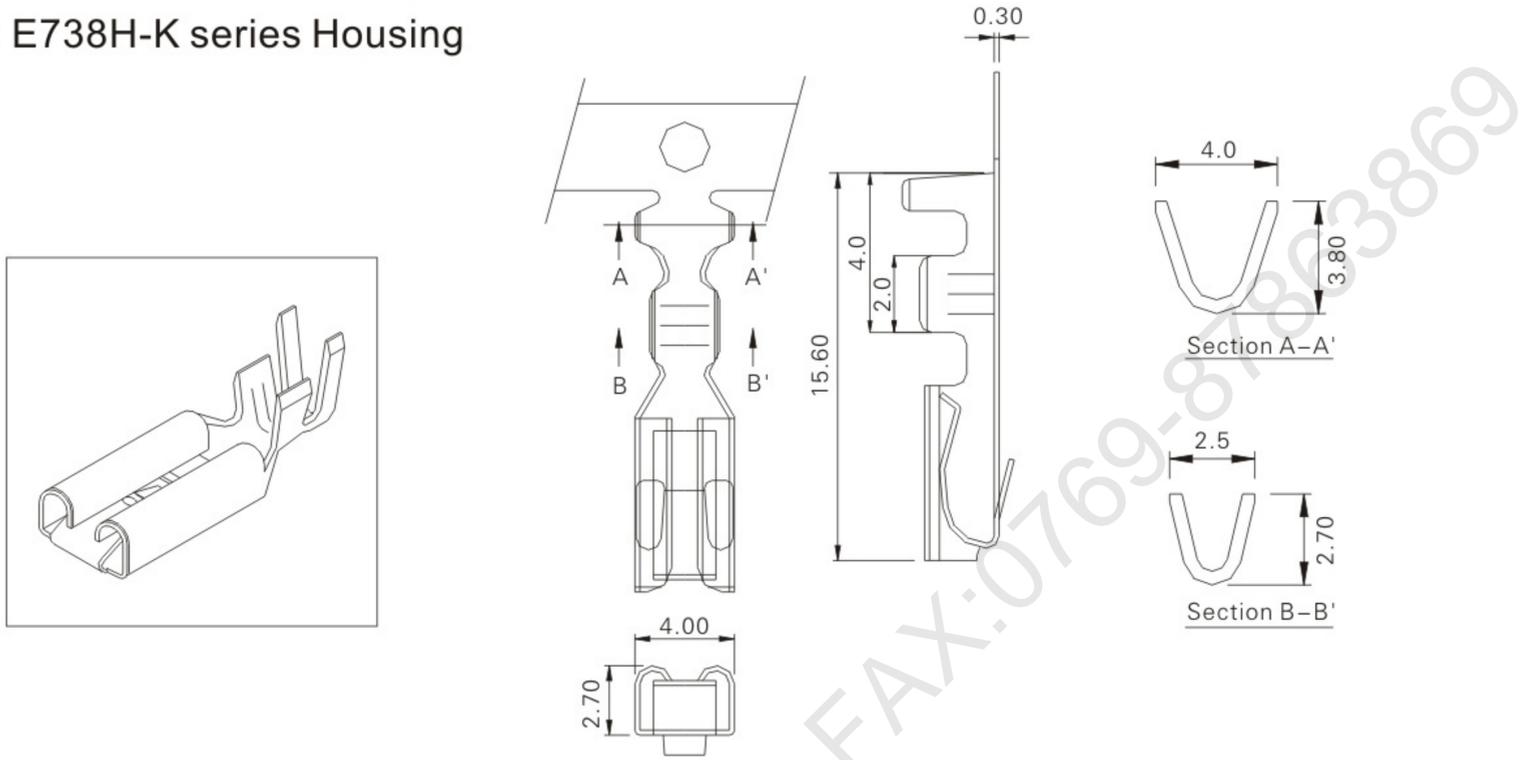
## Assembly layout



# E738 (electric & motor parts terminal)

## Reference Informations:

- \*Thickness: 0.3mm
- \*Mat'l: Brass
- \*Mates With: E738H-K series Housing



## Ordering Information & Specifications

Unit: mm

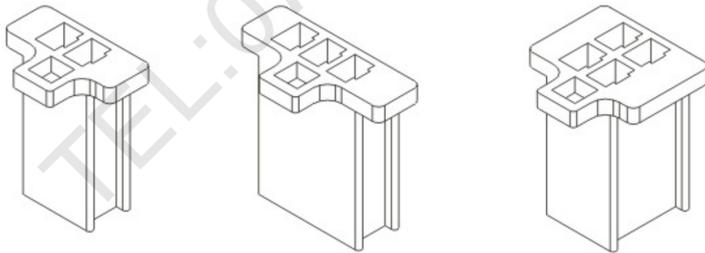
Part No.	Wire Range	Insulation O.D.	Material	Finish	Qty/reel
E738	AWG#18-#22	Φ 1.5~Φ2.0	Brass		5000

# E738H-K (4.0mm pitch housing)

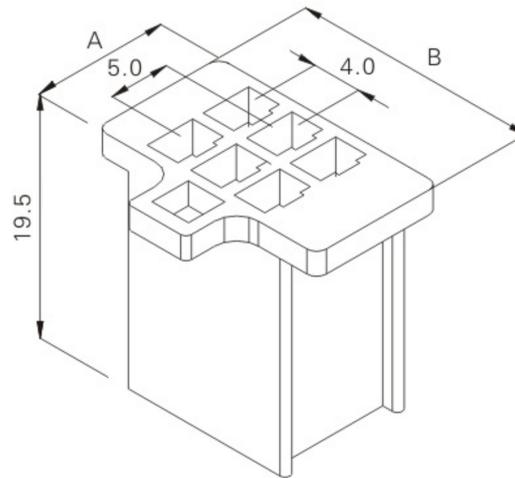
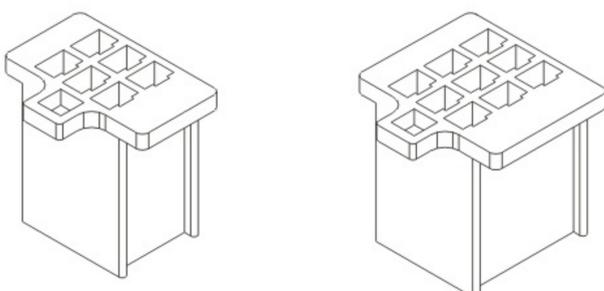
## Reference Informations:

- \*Mat'l: Nylon 66 UL 94V-2
- \*Mates With: E738 series Terminal
- \*Accepts With: E631-K series Housing

E738H-02K    E738H-03K    E738H-04K (2X2)



E738H-06K (2X3)    E738H-09K (3X3)



## Ordering Information & Dimensions

Circuits	Part No.	DIM.(mm)	
		A	B
02	E738H-02K(1X2)	6.2	16.4
03	E738H-03K(1X3)	6.2	20.4
04	E738H-04K(2X2)	11.2	16.4
06	E738H-06K(2X3)	11.2	20.4
09	E738H-09K(3X3)	16.2	20.4