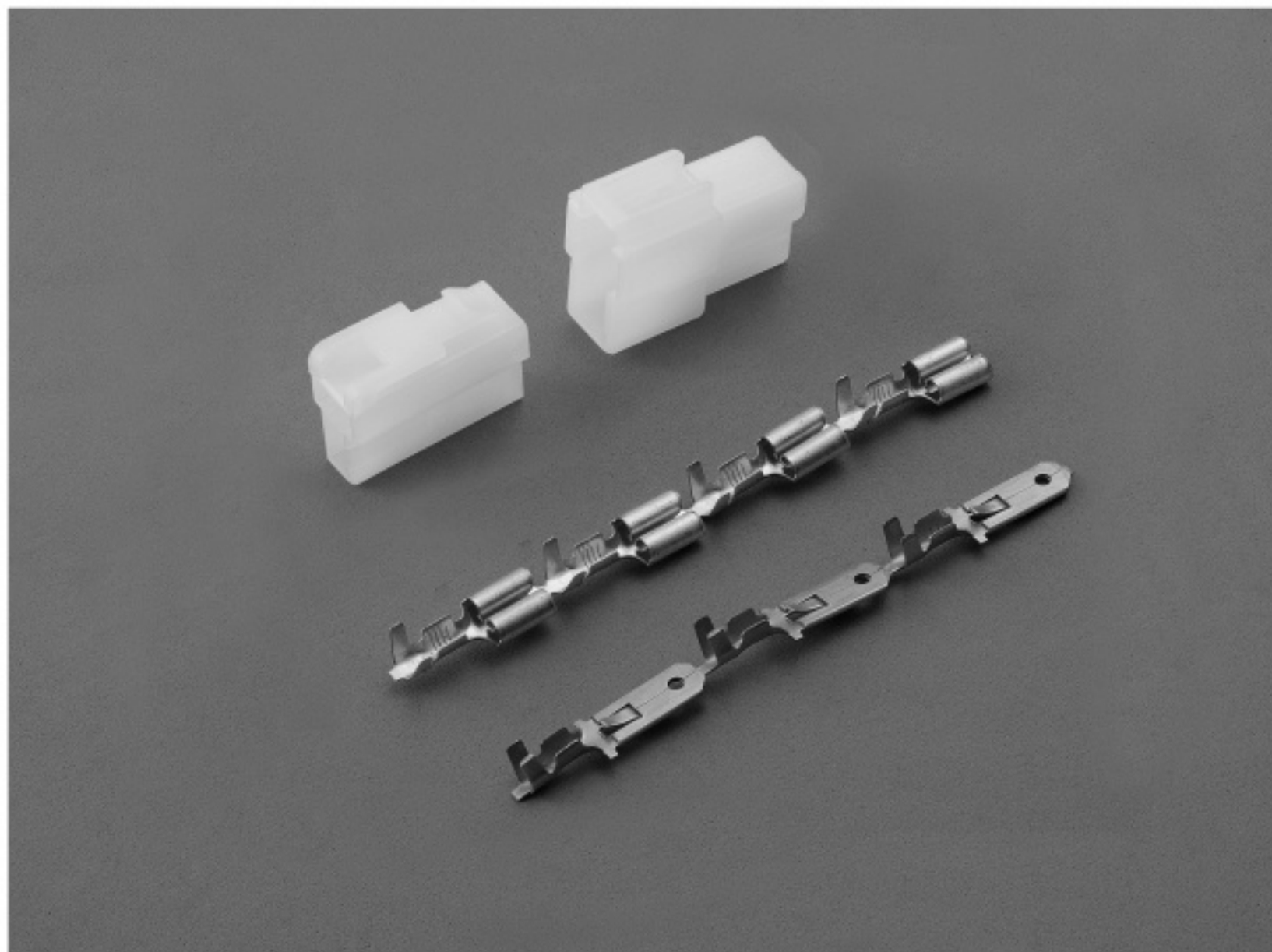


# E761H-S/E661H-S SERIES



## Specifications

Current rating: 5A AC,DC

Voltage rating: 250V AC,DC

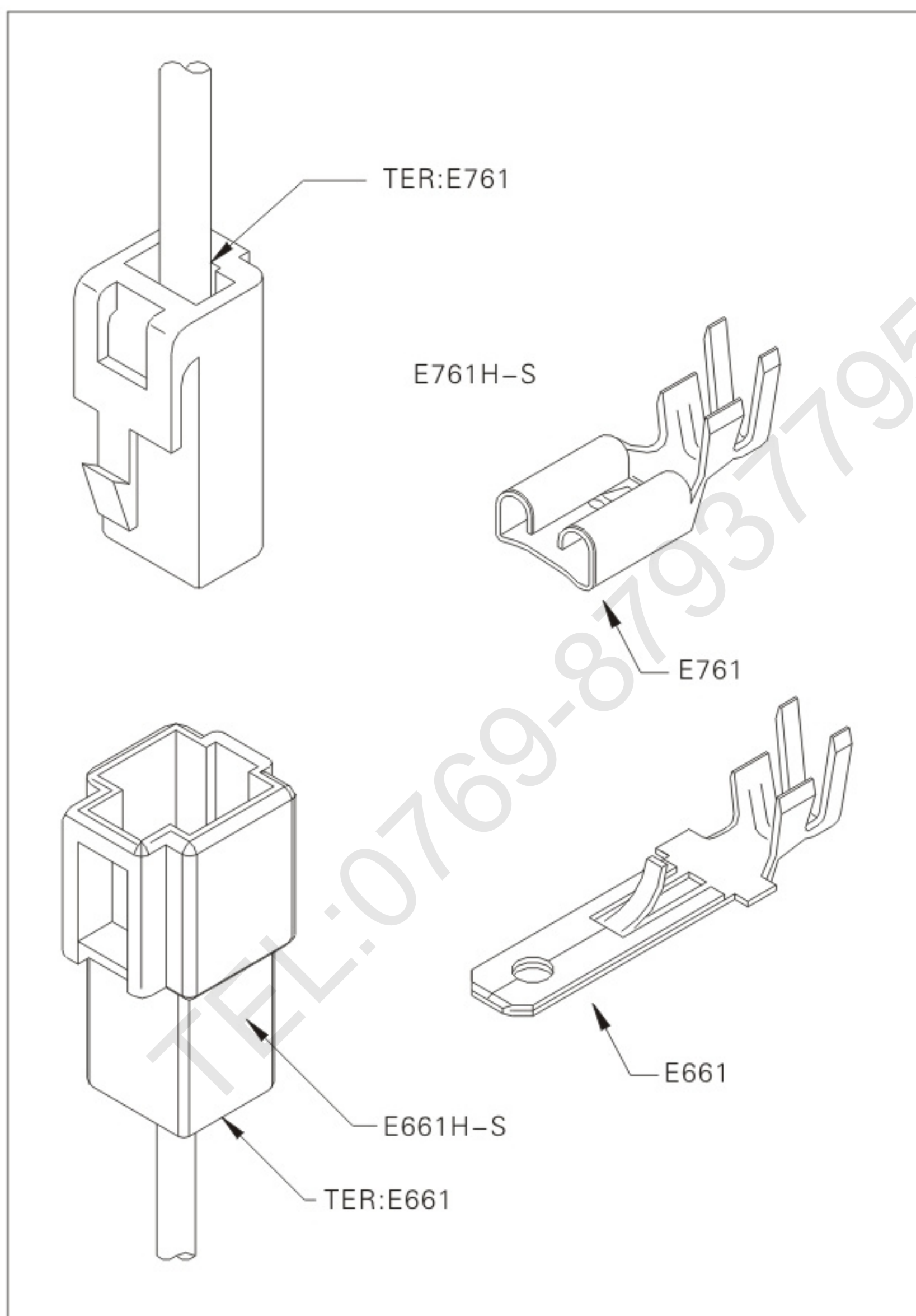
Temperature range: -25°C to +85°C  
(including temperature rise)

Contact resistance: Initial value/ 10m  $\Omega$  Max.  
After environmental testing/20m  $\Omega$  Max.

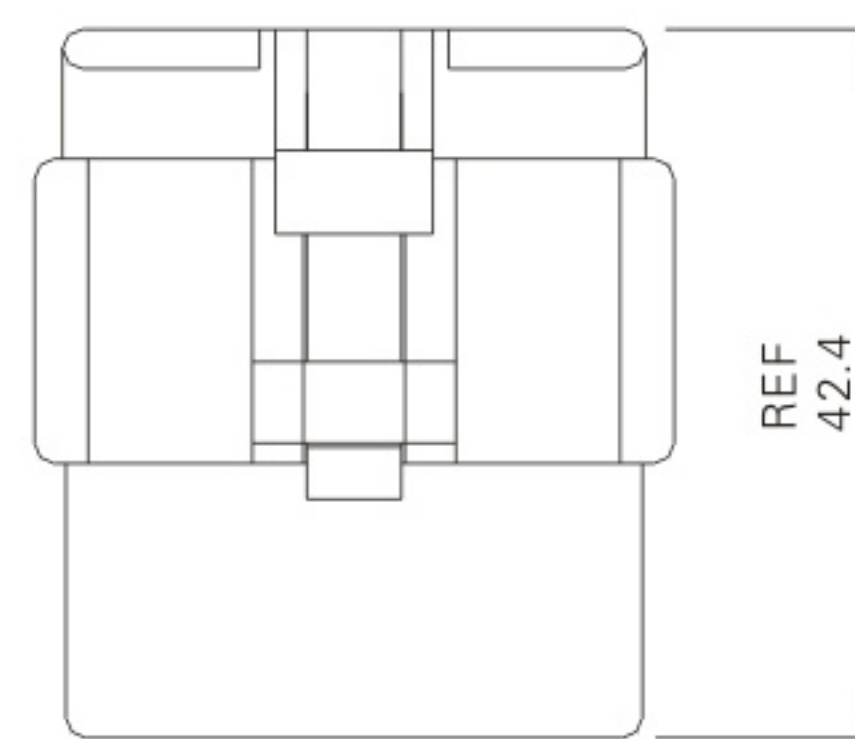
Insulation resistance: 500 M  $\Omega$  Min.

Withstanding voltage: 1500V AC/minute

Applicable wire: AWG#18-#22



## Assembly layout



WIRE TO WIRE

# E761H-S (9.0mm pitch housing)

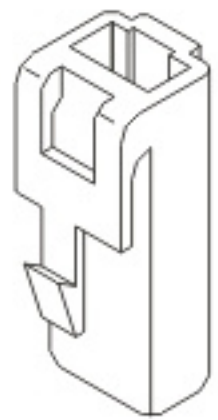
## Reference Informations:

\*Mat'l: Nylon 66 UL 94V-2

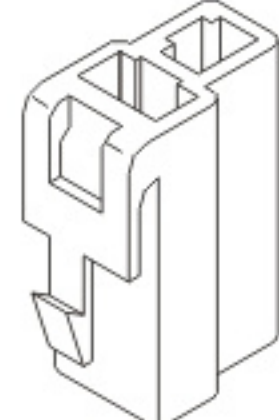
\*Mates With: E761 series Terminal

\*Mates With: E661-S series Housing

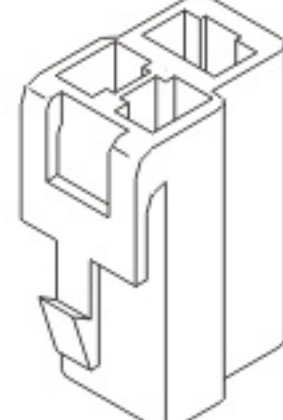
E761H-01S



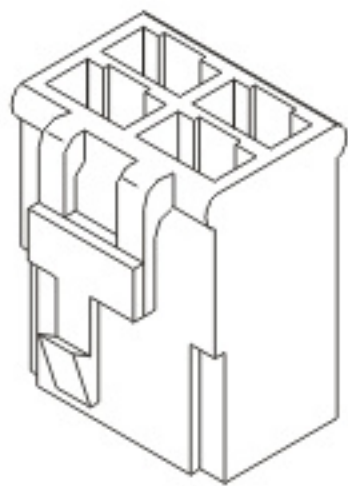
E761H-02S



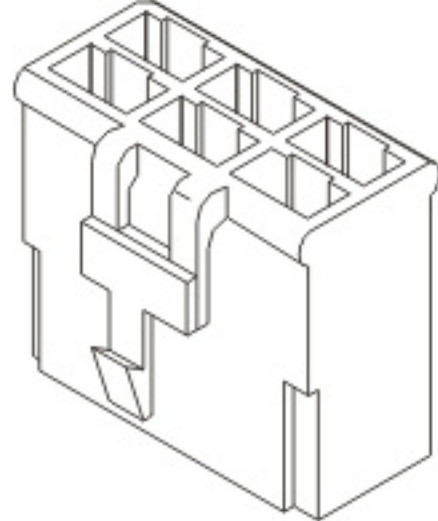
E761H-03S



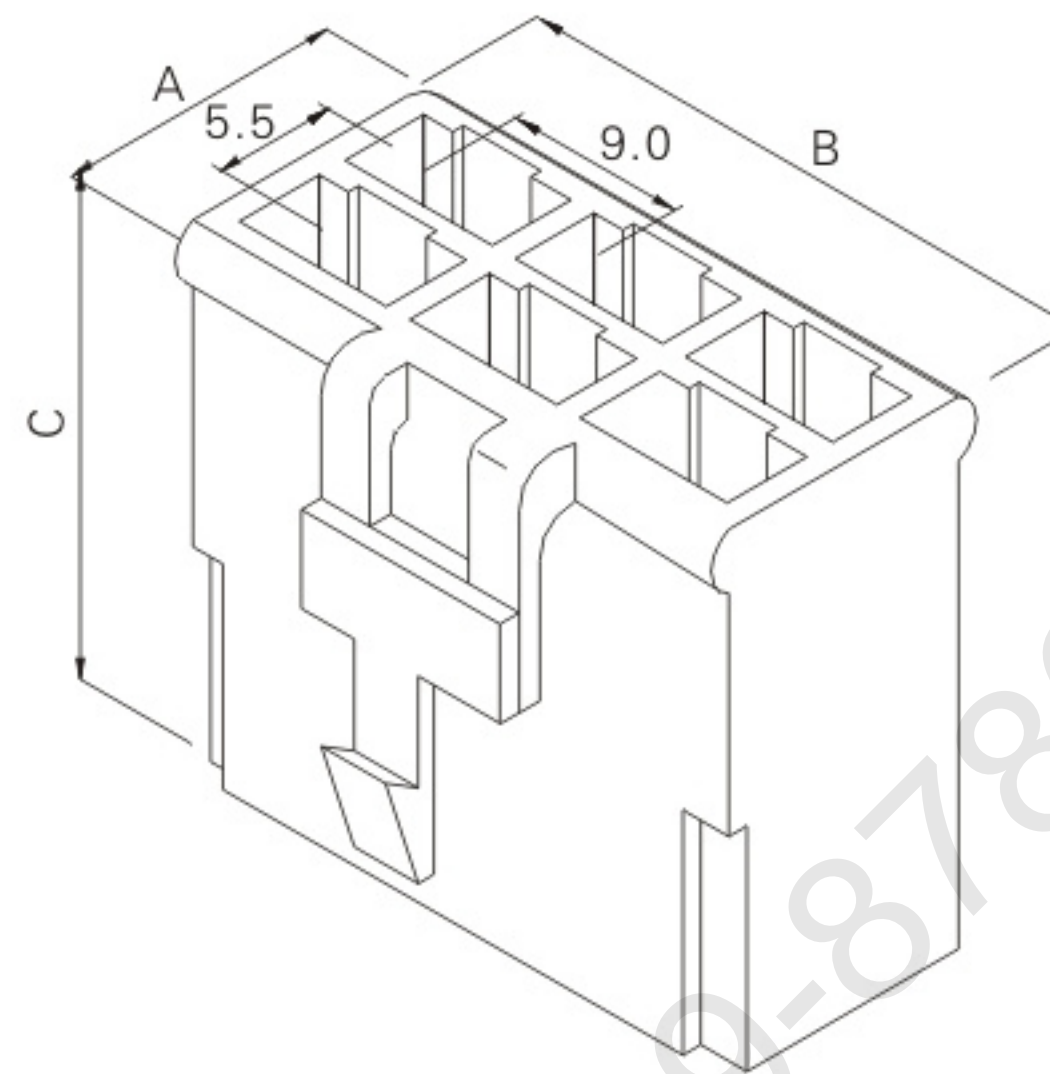
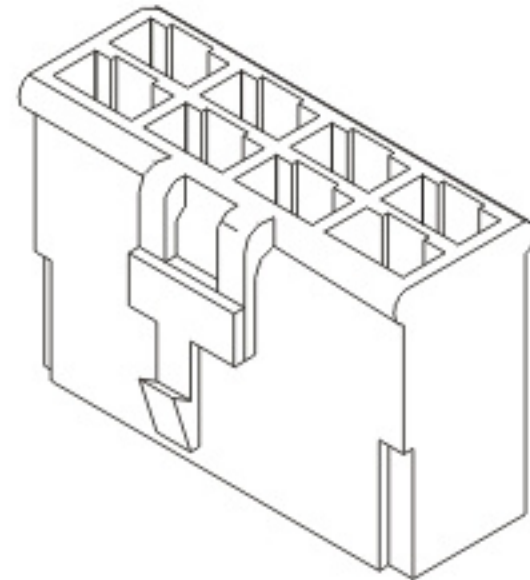
E761H-04S(2X2)



E761H-06S(2X3)



E761H-08S(2X4)



## Ordering Information & Dimensions

Circuits	Part No.	DIM.(mm)		
		A	B	C
01	E761H-01S	6.5	10.0	24.0
02	E761H-02S	15.3	10.0	25.0
03	E761H-03S	16.5	13.0	25.0
04	E761H-04S(2X2)	12.0	19.0	25.0
06	E761H-06S(2X3)	12.0	28.0	25.0
08	E761H-08S(2X4)	12.0	37.0	25.0

# E661H-S (9.0mm pitch housing)

## Reference Informations:

\*Mat'l: Nylon 66 UL 94V-2

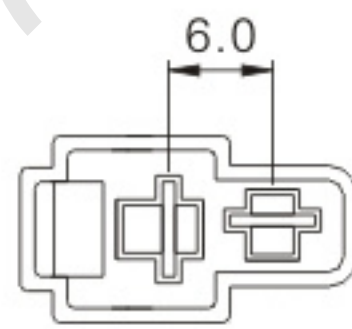
\*Mates With: E661 series Terminal

\*Mates With: E761-S series Housing

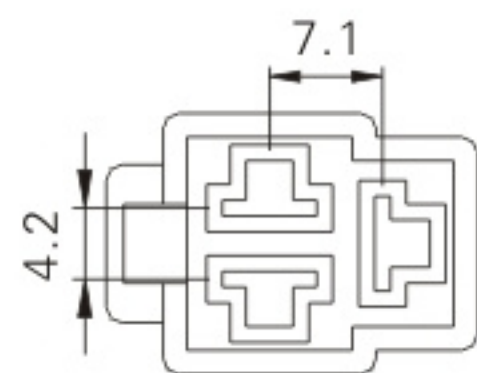
E661H-01S



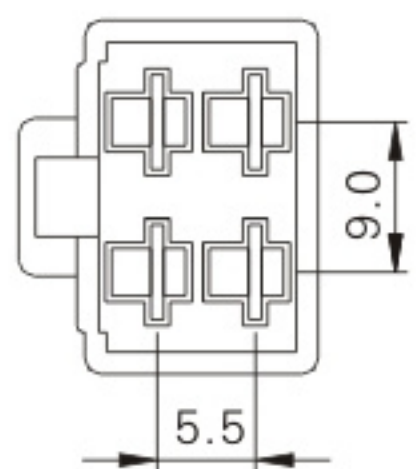
E661H-02S



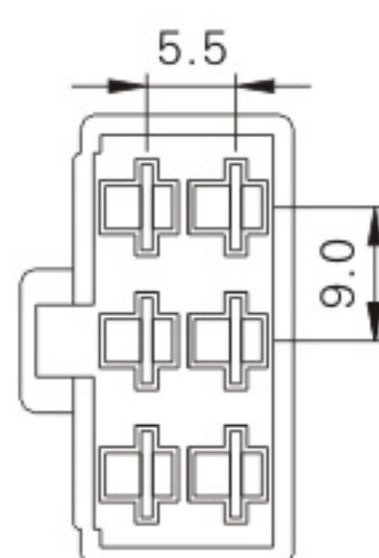
E661H-03S



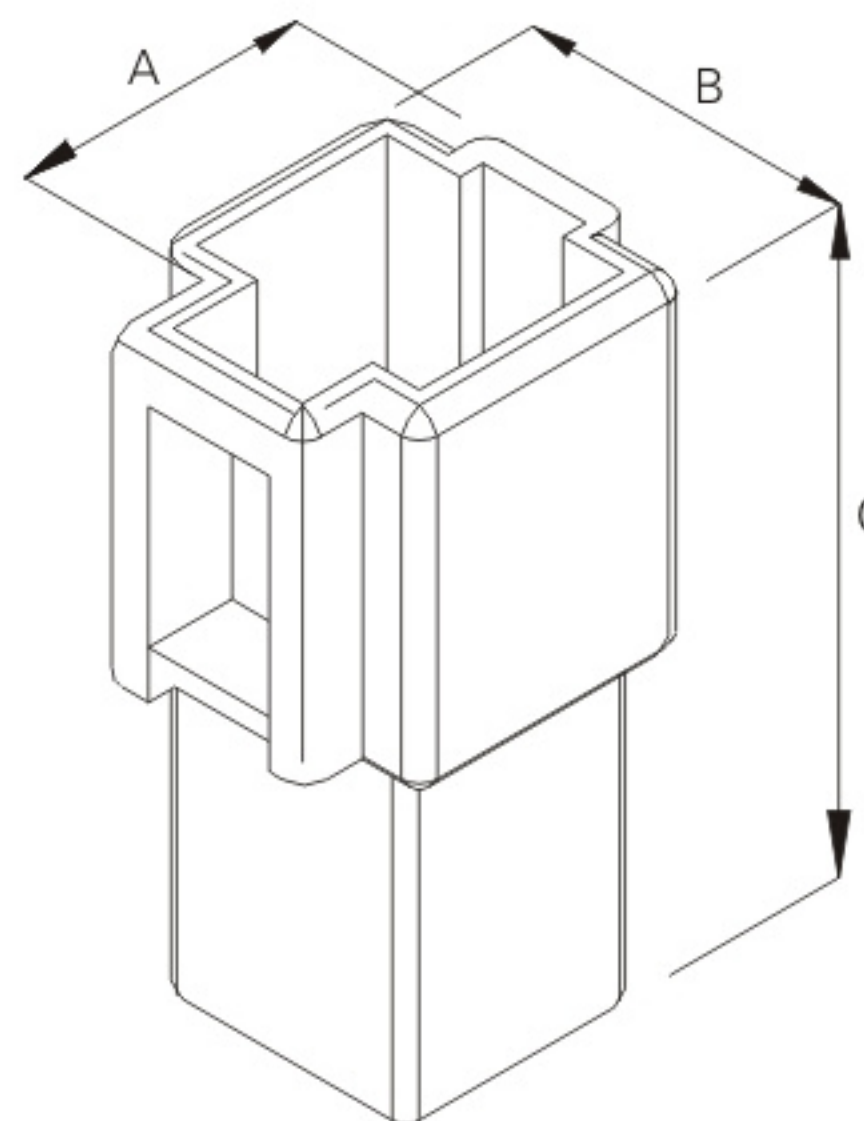
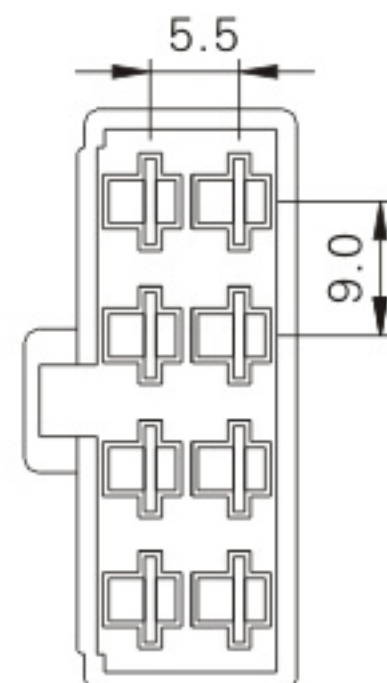
E661H-04S(2X2)



E661H-06S(2X3)



E661H-08S(2X4)



## Ordering Information & Dimensions

Circuits	Part No.	DIM.(mm)		
		A	B	C
01	E661H-01S	9.2	13.2	28.5
02	E661H-02S	19.0	13.5	28.5
03	E661H-03S	19.9	16.5	28.5
04	E661H-04S(2X2)	15.6	22.4	28.5
06	E661H-06S(2X3)	15.3	31.5	28.5
08	E661H-08S(2X4)	15.3	40.6	28.5