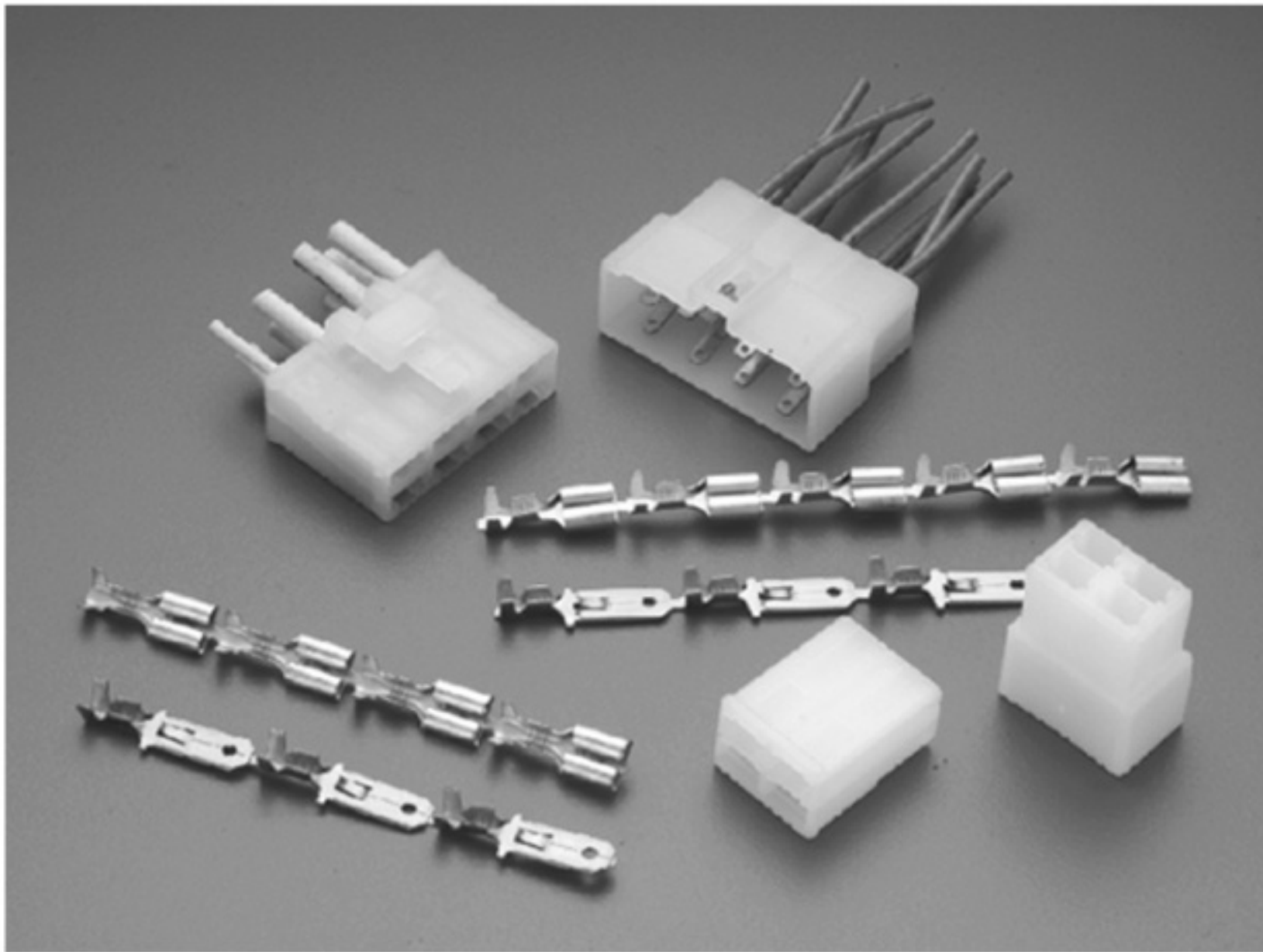


# E761H/E661H SERIES



## Specifications

Current rating: 5A AC,DC

Voltage rating: 250V AC,DC

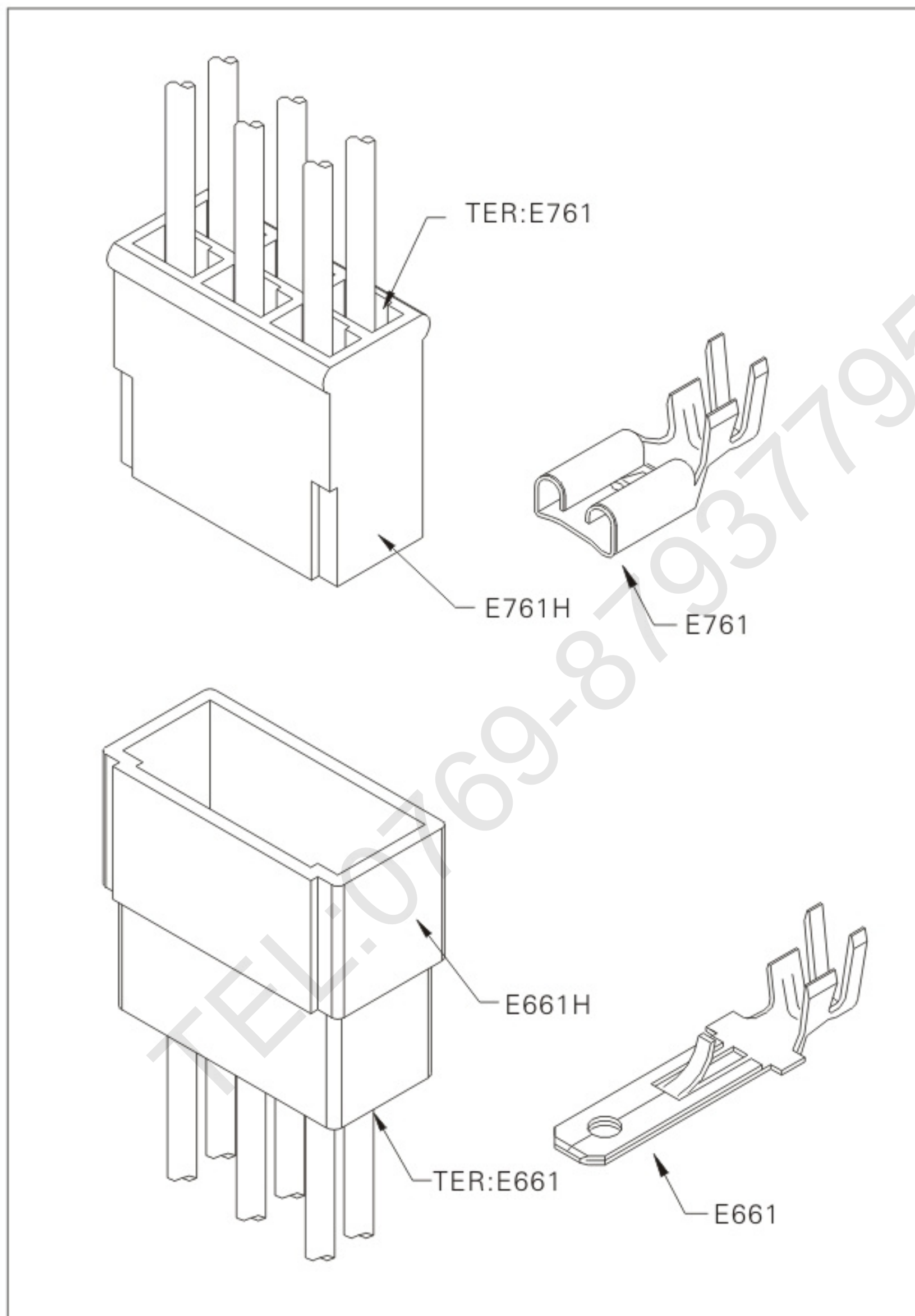
Temperature range: -25°C to +85°C  
(including temperature rise)

Contact resistance: Initial value/ 10m  $\Omega$  Max.  
After environmental testing/20m  $\Omega$  Max.

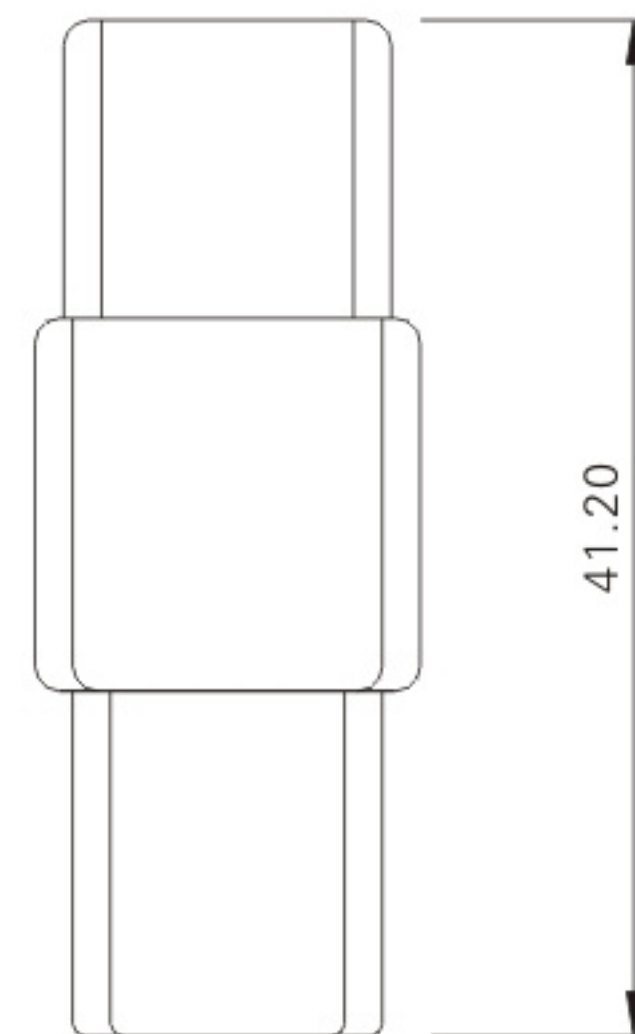
Insulation resistance: 500 M  $\Omega$  Min.

Withstanding voltage: 1000V AC/minute

Applicable wire: AWG#18-#22



## Assembly layout



WIRE TO WIRE

# E761 (crimp terminal)

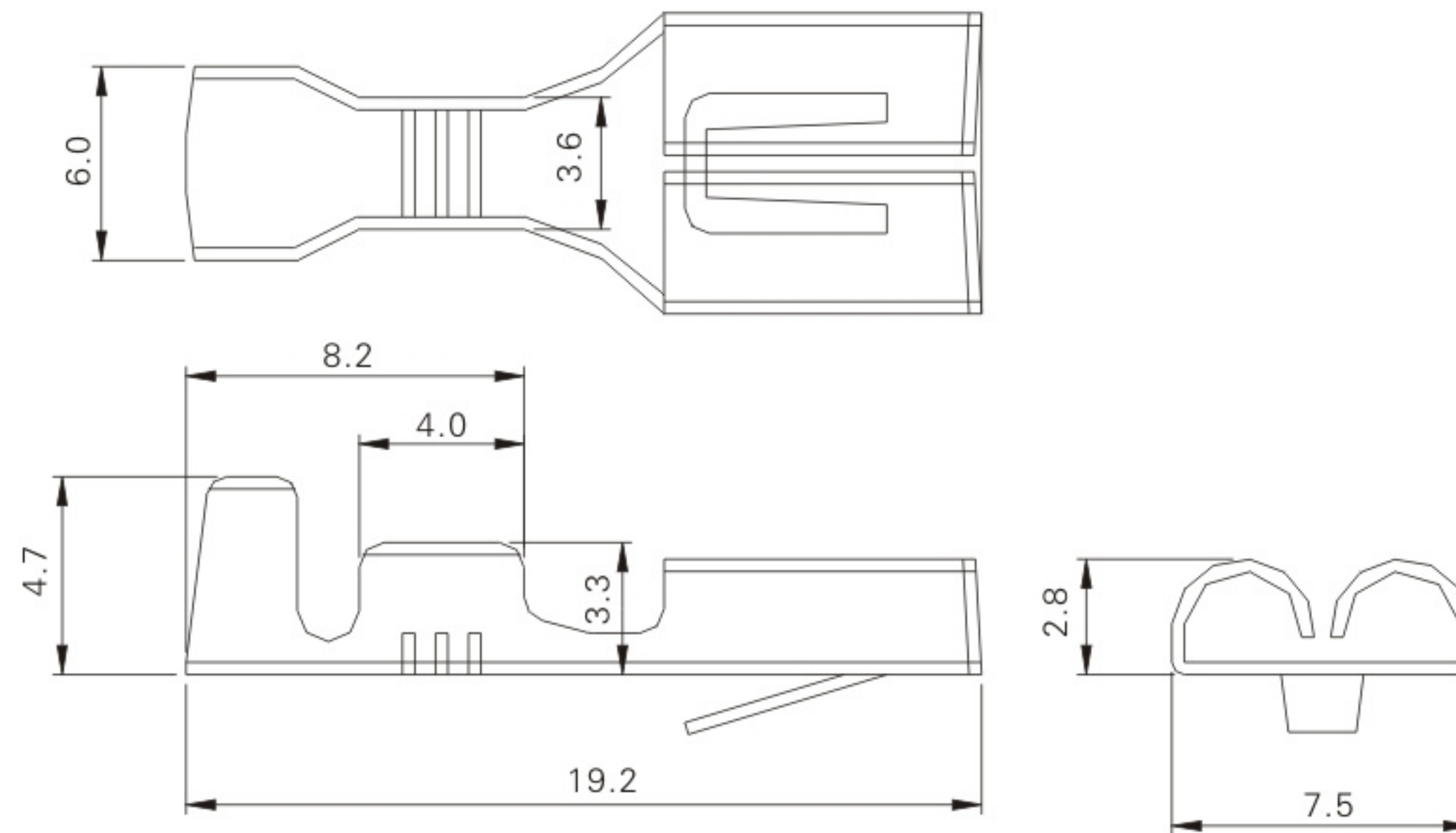
## Reference Informations:

\*Thickness: 0.3mm

\*Mat'l: Brass

\*Mates: E761H E761H-K

E761H-S&SR-5P F250Series Housing



## Ordering Information & Specifications

Unit: mm

Part No.	Wire Range	Insulation O.D.	Material	Finish	Qty/reel
E761	AWG#18-22	Φ3.8~Φ2.0	Brass	Tin-plated	5,000

# E661 (crimp terminal)

## Reference Informations:

\*Thickness: 0.4mm

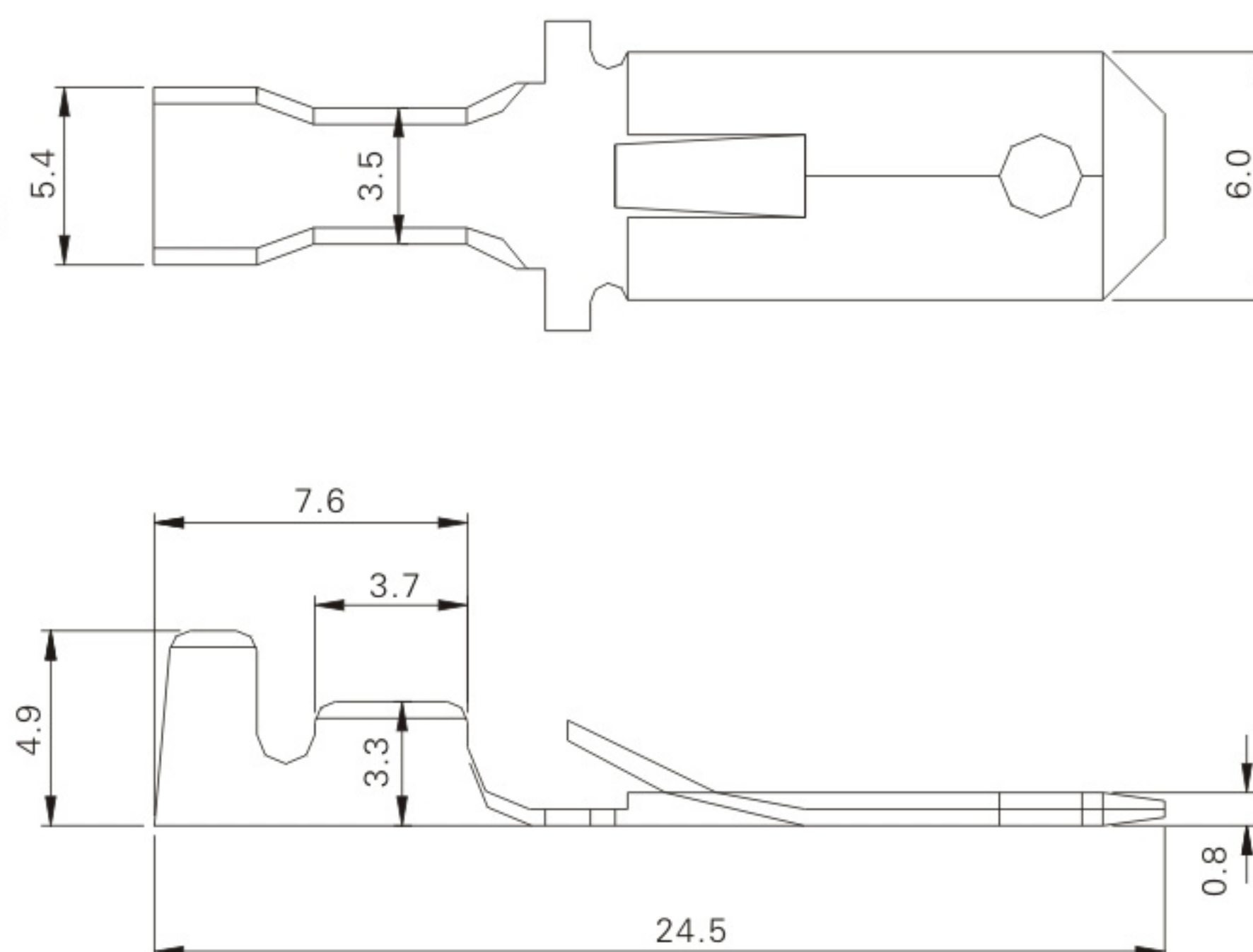
\*Mat'l: Brass

\*Treatment: Chemical Granding

\*Mates With: E761 series Terminal

\*Accepts With: E661H E661H-K

E661H-S series Housing



## Ordering Information & Specifications

Unit: mm

Part No.	Wire Range	Insulation O.D.	Material	Finish	Qty/reel
E661	AWG#18-22	Φ3.8~Φ2.0	Brass	Tin-plated	5,000

# E761H (9.0mm pitch housing)

## Reference Informations:

\*Mat'l: Nylon 66 UL 94V-2

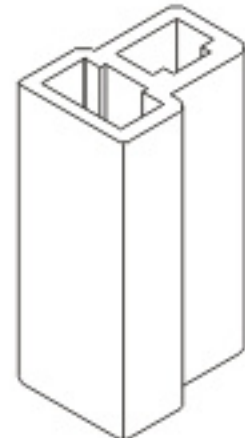
\*Mates With: E761 series Terminal

\*Mates With: E661 series Housing

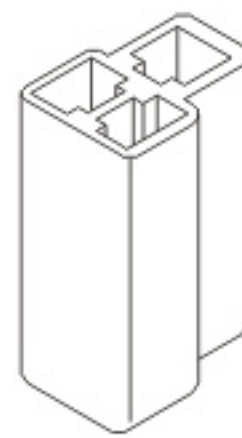
E761H-01



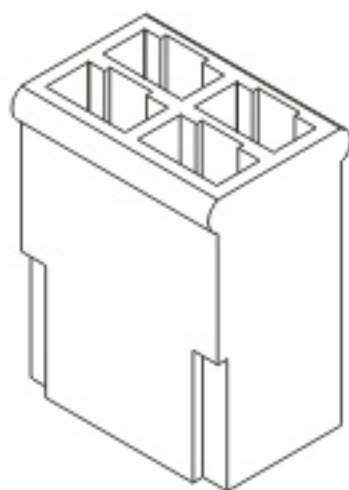
E761H-02



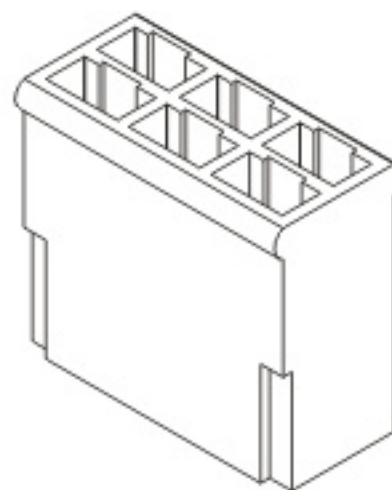
E761H-03



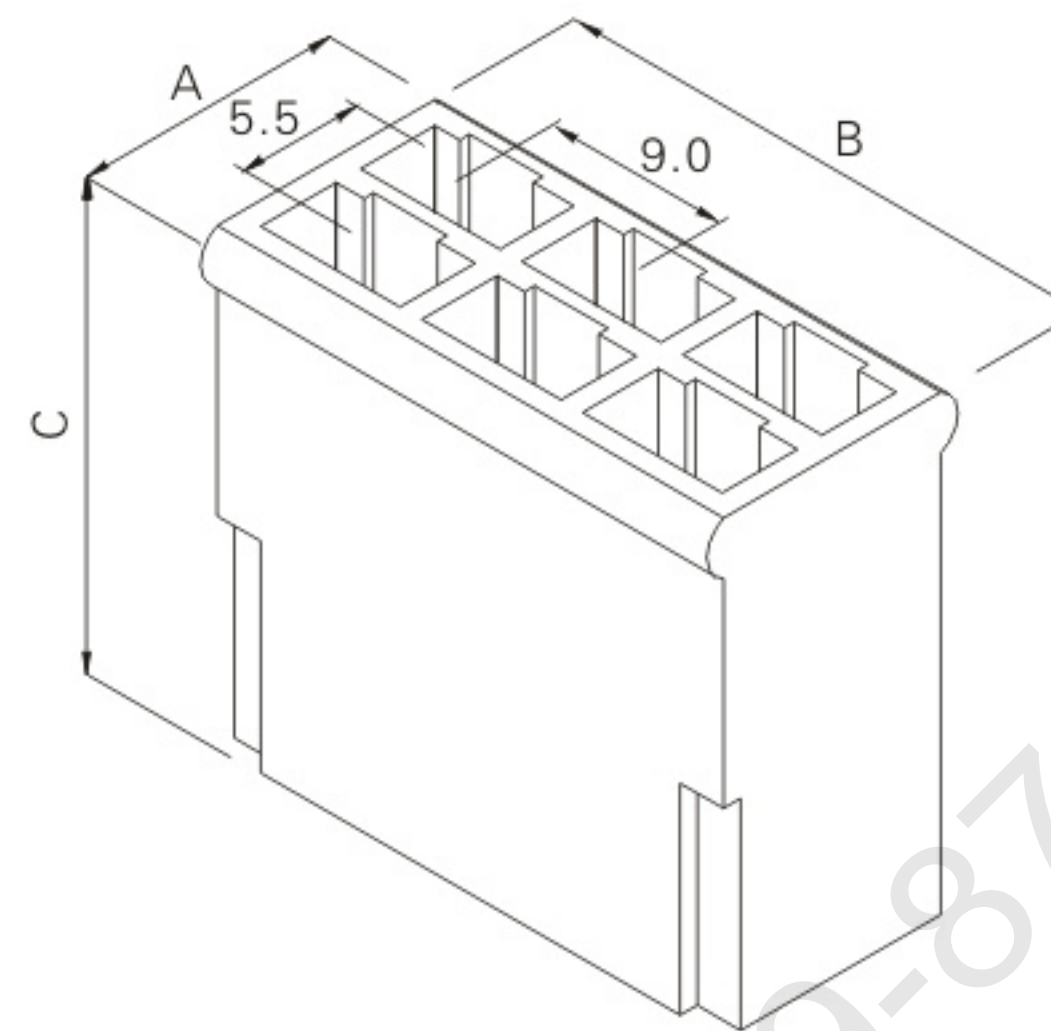
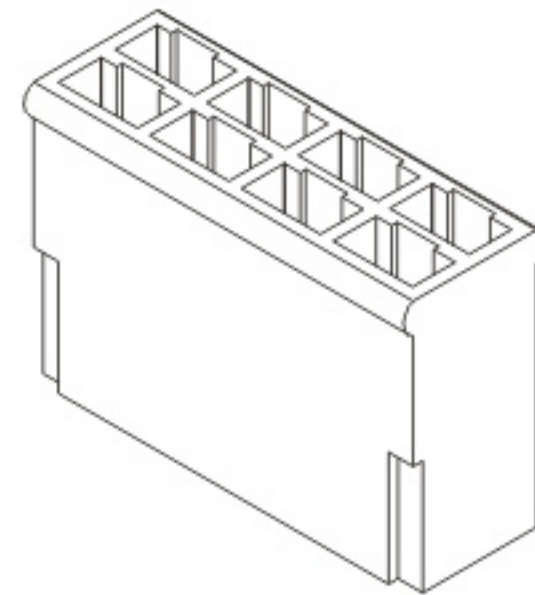
E761H-04(2X2)



E761H-06(2X3)



E761H-08(2X4)



## Ordering Information & Dimensions

Circuits	Part No.	DIM.(mm)		
		A	B	C
01	E761H-01	6.5	10.0	23.5
02	E761H-02	15.3	10.0	25.0
03	E761H-03	16.5	13.0	25.0
04	E761H-04(2X2)	12.0	19.0	25.0
06	E761H-06(2X3)	12.0	28.0	25.0
08	E761H-08(2X4)	12.0	37.0	25.0

# E661H (9.0mm pitch housing)

## Reference Informations:

\*Mat'l: Nylon 66 UL 94V-2

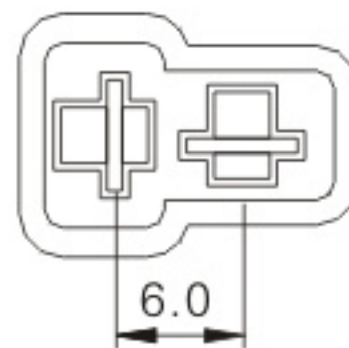
\*Mates With: E661 series Terminal

\*Mates With: E761 series Housing

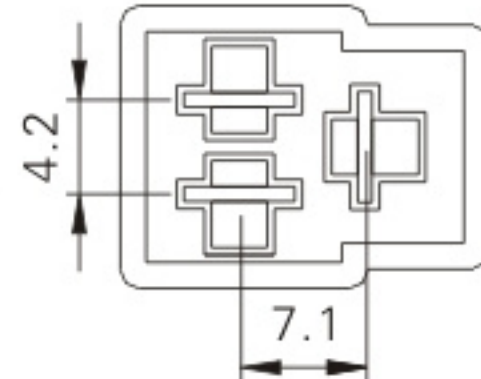
E661H-01



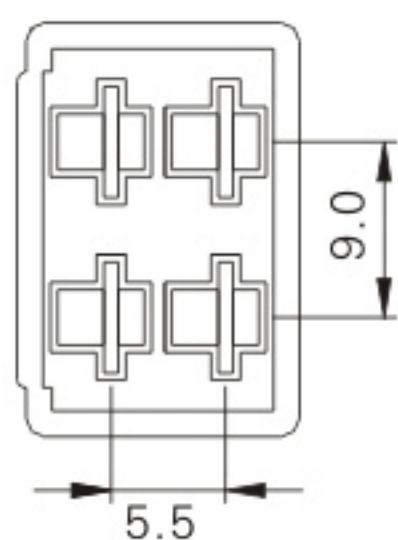
E661H-02



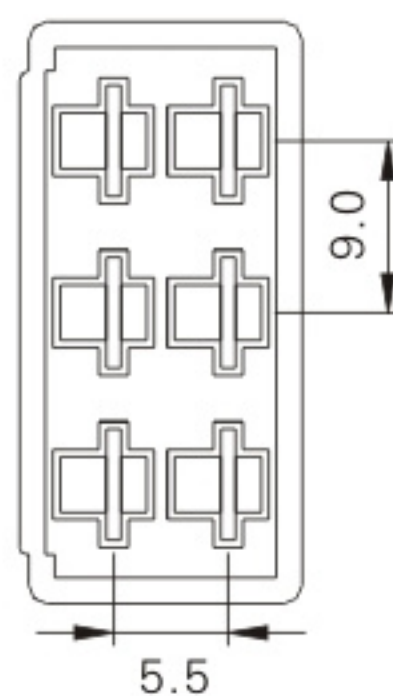
E661H-03



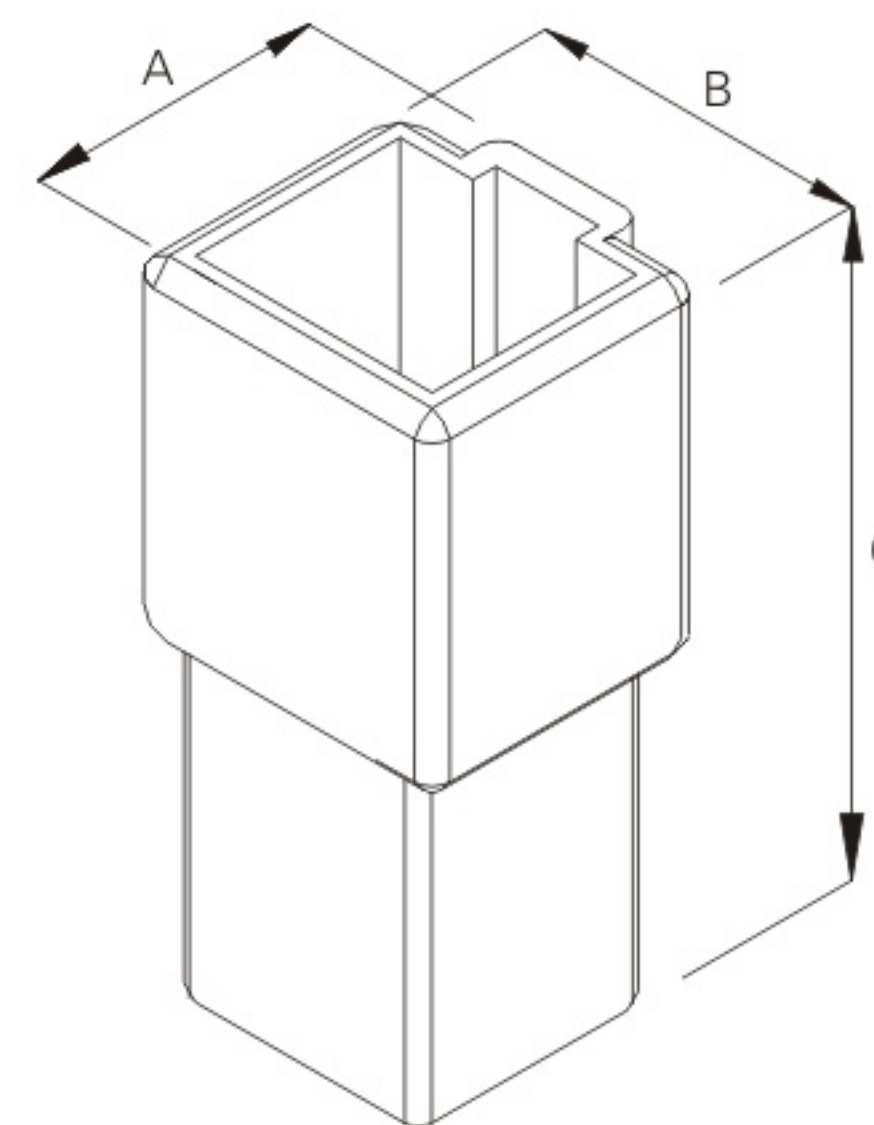
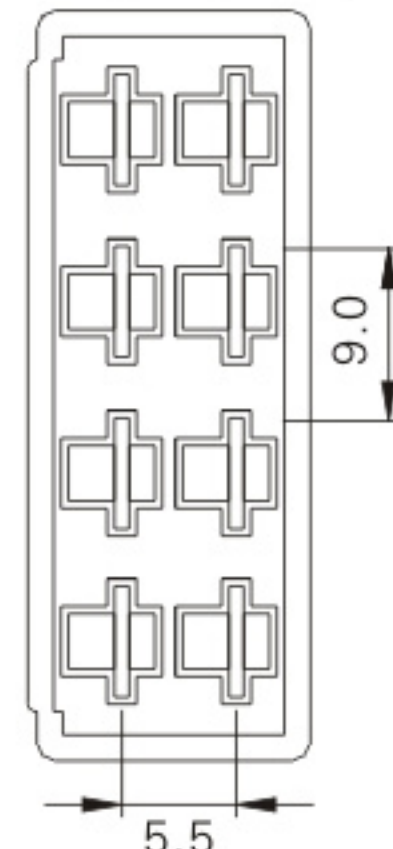
E661H-04(2X2)



E661H-06(2X3)



E661H-08(2X4)



## Ordering Information & Dimensions

Circuits	Part No.	DIM.(mm)		
		A	B	C
01	E661H-01	9.8	13.4	28.5
02	E661H-02	18.9	13.5	28.5
03	E661H-03	20.0	16.5	28.5
04	E661H-04(2X2)	15.5	24.5	28.5
06	E661H-06(2X3)	15.5	31.3	28.5
08	E661H-08(2X4)	15.5	40.6	28.5