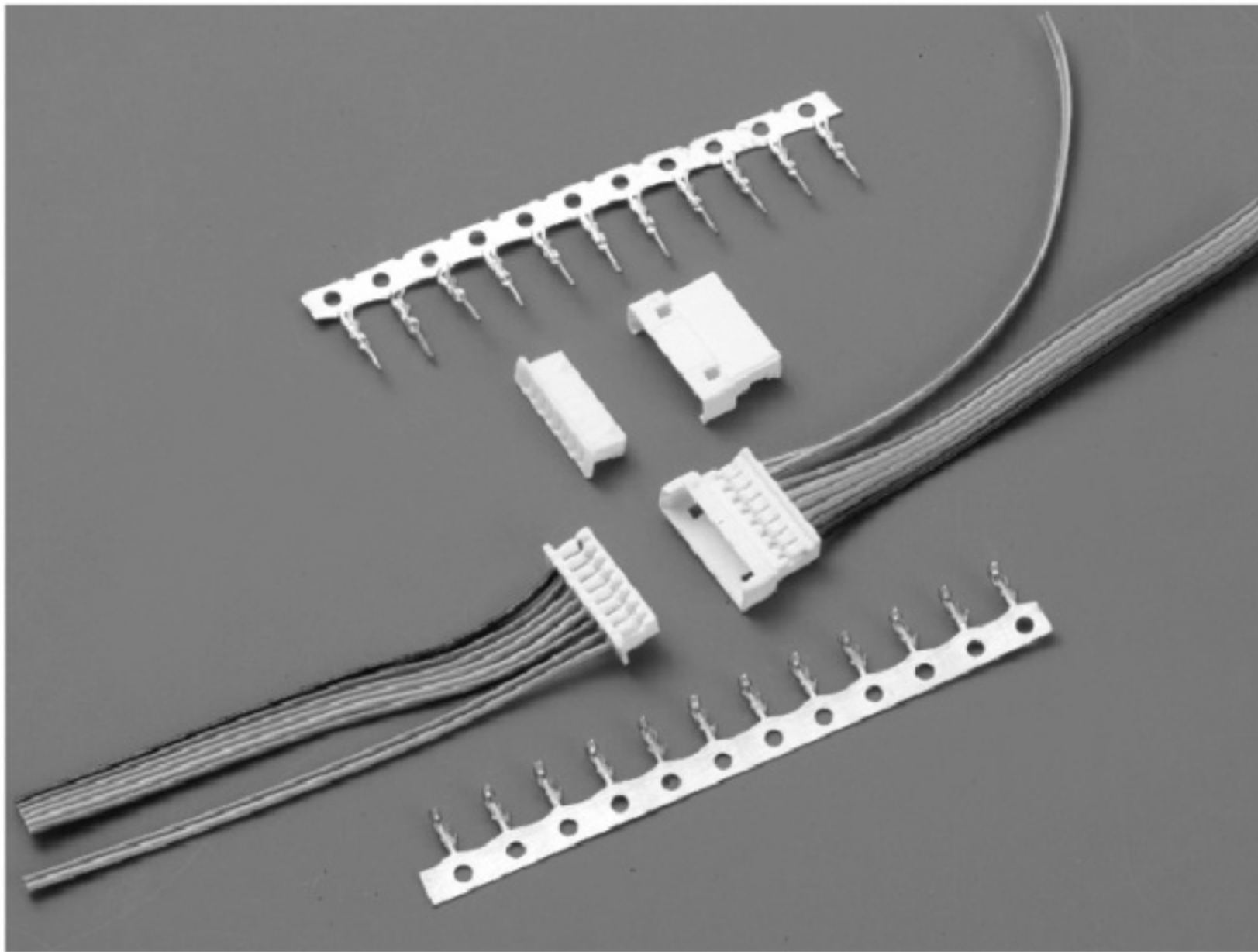


M125H/M125CH SERIES

1.25mm PITCH WIRE TO WIRE CONNECTOR



Specifications

Current rating: 1A AC,DC

Voltage rating: 125V AC,DC

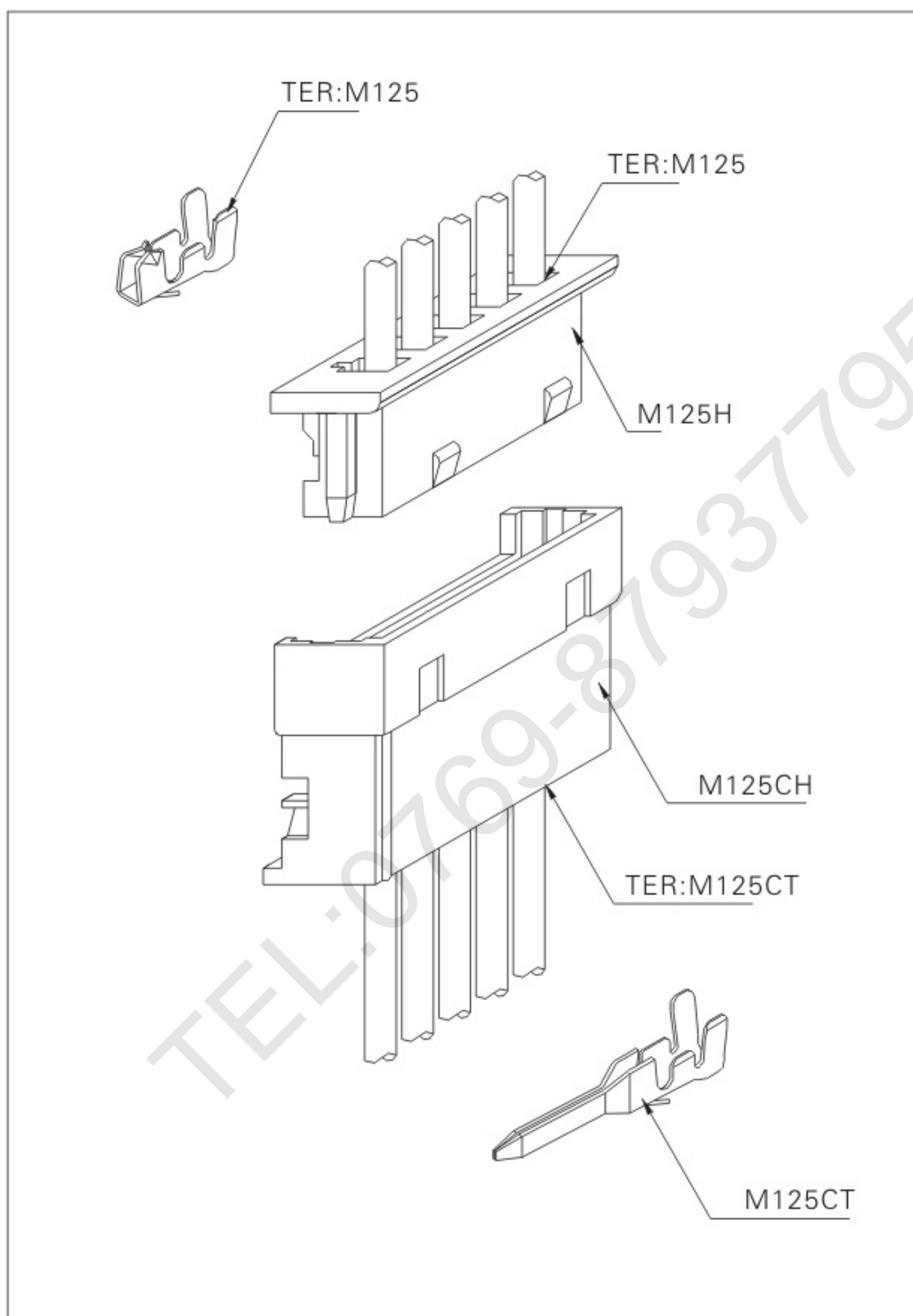
Temperature range: -25°C to +85°C
(including temperature rise)

Contact resistance: Initial value/ 10m Ω Max.
After environmental testing/20m Ω Max.

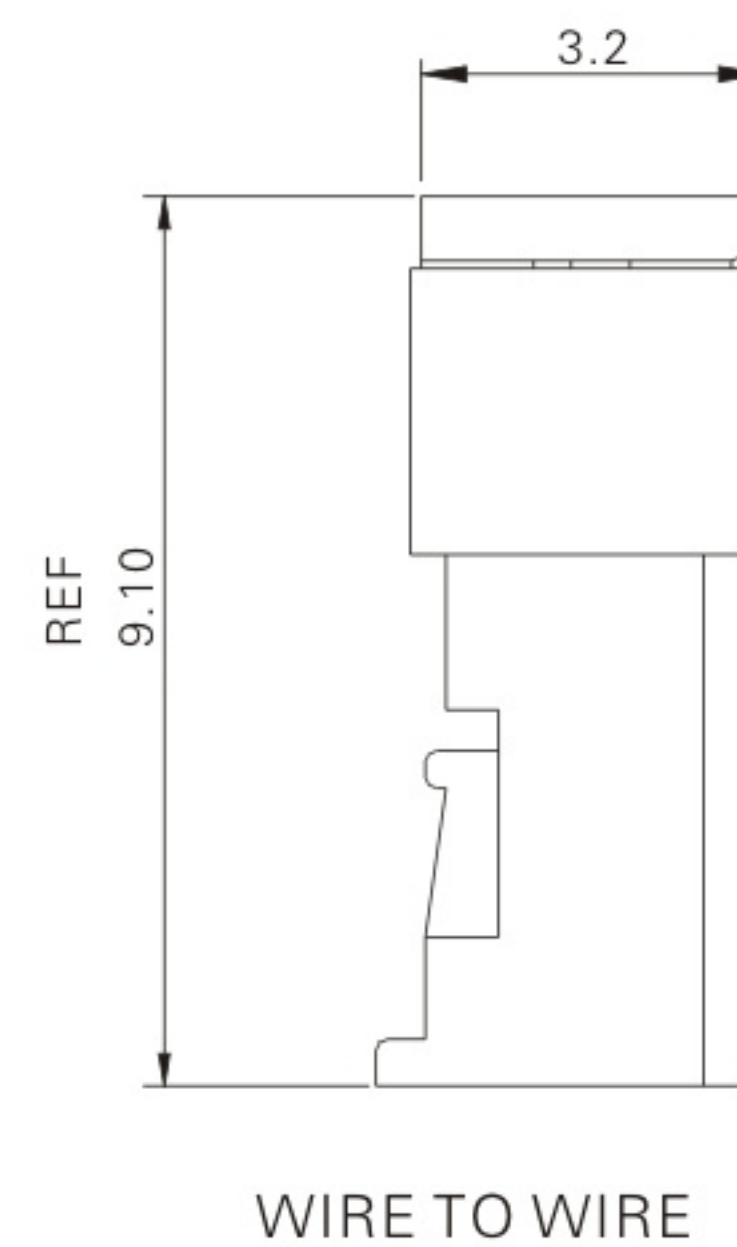
Insulation resistance: 500 M Ω Min.

Withstanding voltage: 500V AC/minute

Applicable wire: AWG#28-#32



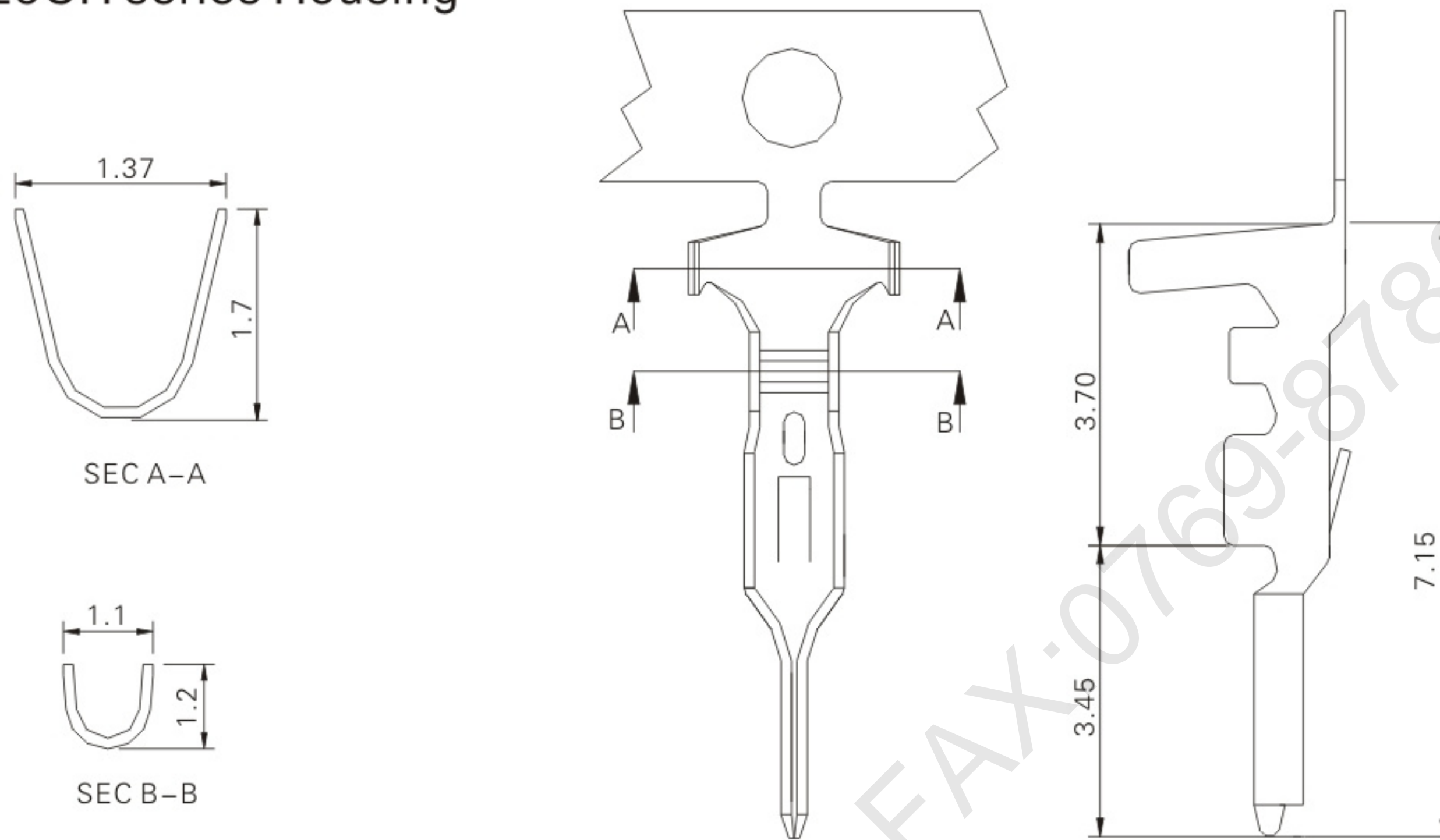
Assembly layout



M125CT (1.25mm pitch crimp terminal)

Reference Informations:

- *Thickness: 0.2mm
- *Mat'l: Phosphor Bronze Tin Plated
- *Mates With: M125CH series Housing



Ordering Information & Specifications

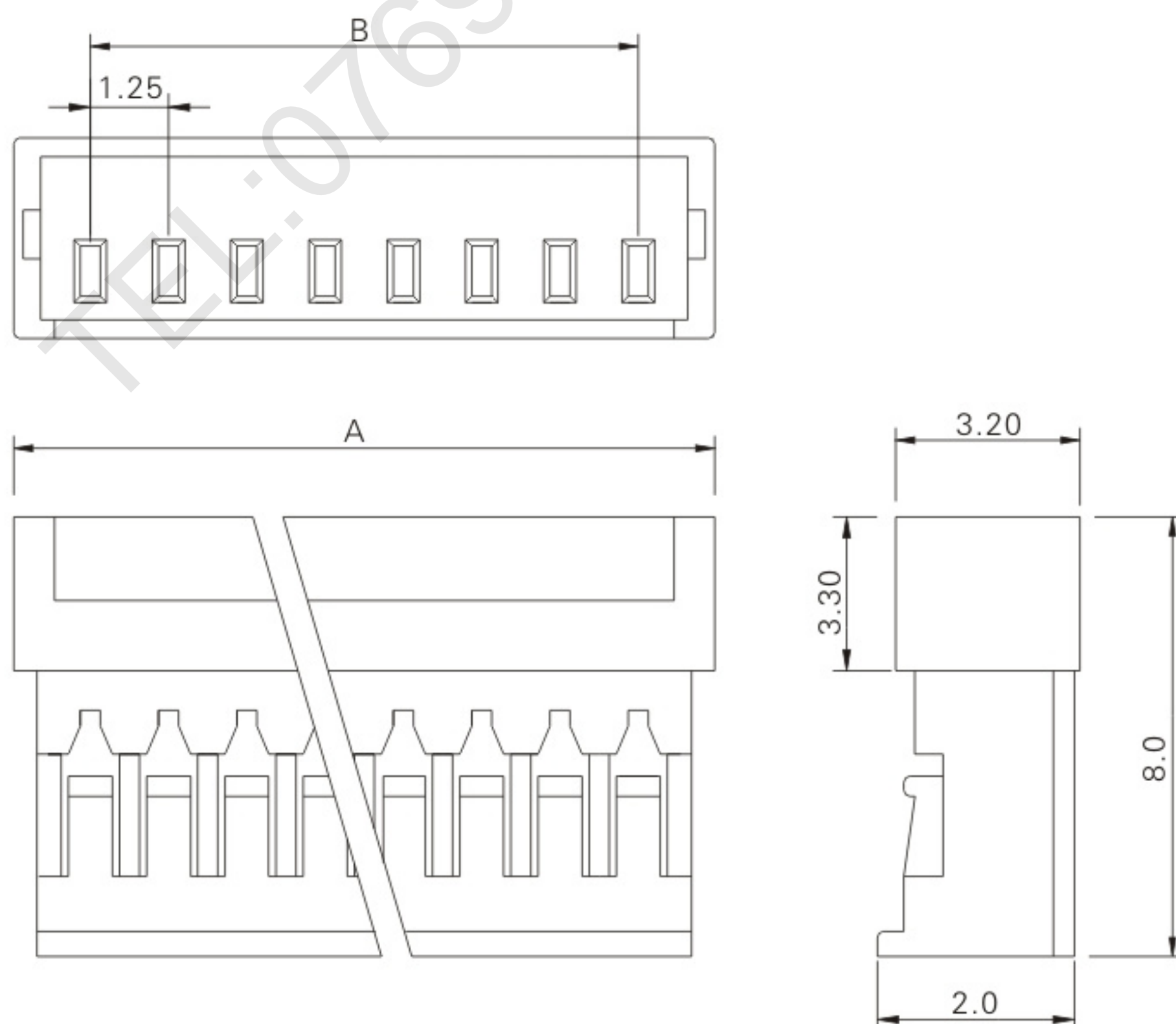
Unit: mm

Part No.	Wire Range	Insulation O.D.	Material	Finish	Qty/reel
M125CT	AWG#28-32	0.9mm max	Phosphor Bronze	Tin-plated	25,000

M125CH (1.25mm pitch crimp housing)

Reference Informations:

- *Mat'l: Nylon UL94V-0
- *Mates With: M125ct series Terminal
- *Accepts With: M125h series Housing



Ordering Information & Dimensions

Circuits	Part No.	DIM.(mm)	
		A	B
02	M125CH-02	4.25	1.25
03	M125CH-03	5.50	2.50
04	M125CH-04	6.75	3.75
05	M125CH-05	8.00	5.00
06	M125CH-06	9.25	6.25
07	M125CH-07	10.50	7.50
08	M125CH-08	11.75	8.75
09	M125CH-09	13.00	10.00
10	M125CH-10	14.25	11.25